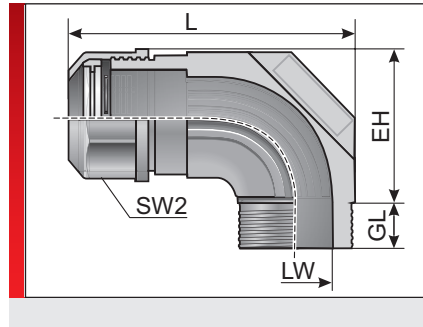


Type KW 90° (conduit fitting)



Conduit fitting m-tec

PRODUCT INFORMATION

The angled KW 90° conduit fittings with plastic threading are made from specially modified polyamide. The materials are halogen, phosphor and cadmium-free. The KW 90° conduit fittings feature the following advantages:

- No parts can get lost, delivered completely assembled
- Tightness of IP 65 for static and dynamic

application

- Integrated clamping ring ensures high tear-out strength
- Easy insertion of the cables through rounded inside bend

Specification:

- UL listed E 148958
- EN 45545-2:2013 3x HL3

SPECIFICATIONS

- Fitting: Mod. polyamide PA 6
Clamping ring Polyoxymethylene (POM)
- IP 65
- 40 – 110 °C transient / short term
140 °C
- V0 self-extinguishing

Type	Order No.	Colour	Connecting thread	Suitable for Murrflex	EH mm	L mm	GL mm	LW mm	SW 2 mm	Pack qty.
Metric thread										
KW-M16x1,5/9 ¹⁾	83565050	Black	M16x1,5	M12/P09	27.00	47.00	7.50	9.50	22.00	50
KW-M20x1,5/11 ¹⁾	83565052	Black	M20x1.5	M16/P11	29.00	51.00	8.00	13.00	24.00	50
KW-M25x1,5/16 ¹⁾	83565054	Black	M25x1.5	M20/P16(S)	35.00	56.00	10.00	16.00	30.00	50
KW-M32x1,5/21 ¹⁾	83565056	Black	M32x1.5	M25/P21(S)	41.00	67.00	12.00	22.00	38.00	25
KW-M40x1.5/29 ¹⁾	83565058	Black	M40x1.5	M32/P29(S)	53.00	82.00	12.00	28.00	46.00	25
Grey variants										
KW-M16x1.5/9 ¹⁾	83565010	Grey	M16x1,5	M12/P09	27.00	47.00	7.50	9.50	22.00	50
KW-M20x1.5/11 ¹⁾	83565012	Grey	M20x1.5	M16/P11	29.00	51.00	8.00	13.00	24.00	50
KW-M25x1.5/16 ¹⁾	83565014	Grey	M25x1.5	M20/P16(S)	35.00	56.00	10.00	16.00	30.00	50
KW-M32x1.5/21 ¹⁾	83565016	Grey	M32x1.5	M25/P21(S)	41.00	67.00	12.00	22.00	38.00	25
KW-M40x1.5/29 ¹⁾	83565018	Grey	M40x1.5	M32/P29(S)	53.00	82.00	12.00	28.00	46.00	25
Pg threads										
KW-Pg 09 ¹⁾	83561050	Black	Pg 09	M12/P09	27.00	45.00	7.50	9.50	22.00	50
KW-Pg 11 ¹⁾	83561052	Black	Pg 11	M16/P11	29.00	51.00	8.00	13.00	24.00	50
KW-Pg 13/16 ¹⁾	83561054	Black	Pg 13.5	M20/P16(S)	35.00	56.00	10.00	16.00	30.00	50
KW-Pg 16 ¹⁾	83561056	Black	Pg 16	M20/P16(S)	35.00	56.00	10.00	16.00	30.00	50
KW-Pg 21 ¹⁾	83561058	Black	Pg 21	M25/P21(S)	41.00	67.00	11.00	22.00	38.00	25
KW-Pg 29 ¹⁾	83561060	Black	Pg 29	M32/P29(S)	53.00	82.00	12.00	29.00	46.00	25
Grey variants										
KW-Pg 09 ¹⁾	83561010	Grey	Pg 09	M12/P09	27.00	45.00	7.50	9.50	22.00	50
KW-Pg 11 ¹⁾	83561012	Grey	Pg 11	M16/P11	29.00	51.00	8.00	13.00	24.00	50
KW-Pg 13/16 ¹⁾	83561014	Grey	Pg 13.5	M20/P16(S)	35.00	56.00	10.00	16.00	30.00	50
KW-Pg 16 ¹⁾	83561016	Grey	Pg 16	M20/P16(S)	35.00	56.00	10.00	16.00	30.00	50

Type KW 90° (conduit fitting)

Type	Order No.	Colour	Connecting thread	Suitable for Murrflex	EH mm	L mm	GL mm	LW mm	SW 2 mm	Pack qty.
KW-Pg 21 ¹⁾	83561018	Grey	Pg 21	M25/P21(S)	41.00	67.00	11.00	22.00	38.00	25
KW-Pg 29 ¹⁾	83561020	Grey	Pg 29	M32/P29(S)	53.00	82.00	12.00	29.00	46.00	25
NPT thread										
KW-3/8"/11 ¹⁾	83561451	Black	3/8"	M16/P11	29.00	51.00	8.00	13.00	24.00	50
KW-1/2"/16 ¹⁾	83561450	Black	1/2"	M20/P16(S)	35.00	56.00	10.00	16.00	30.00	50
KW-3/4"/21 ¹⁾	83561452	Black	3/4"	M25/P21(S)	41.00	67.00	11.00	21.00	38.00	25
KW-1"/29 ¹⁾	83561454	Black	1"	M32/P29(S)	53.00	82.00	12.00	27.00	46.00	25
KW-3/8"/11 ¹⁾	83561411	Grey	3/8"	M16/P11	29.00	51.00	8.00	13.00	24.00	50
KW-1/2"/16 ¹⁾	83561410	Grey	1/2"	M20/P16(S)	35.00	56.00	10.00	16.00	30.00	50
KW-3/4"/21 ¹⁾	83561412	Grey	3/4"	M25/P21(S)	41.00	67.00	11.00	21.00	38.00	25
KW-1"/29 ¹⁾	83561414	Grey	1"	M32/P29(S)	53.00	82.00	12.00	27.00	46.00	25

¹⁾ With cURus- approval

MATERIAL PROPERTIES



Fitting: Mod. polyamide PA 6
Clamping ring Polyoxymethylene (POM)

MECHANICAL PROPERTIES



Protection class
IP 65

THERMAL PROPERTIES



Temperature / temperature range
-40 – 110 °C transient / short term 140 °C

FIRE BEHAVIOUR



Fire classification
V0 self-extinguishing

Fire properties as per EN 45545-2: 2009

C.I.T. R22 / R23 HL3 = 0,43
LOI R22 / R23 HL3 = 33,8 %
Ds (max.) R23 HL3 63

APPROVALS AND OPERATING PERMITS



Railway EU approval



cURus approval

TECHNICAL INFORMATION



Halogen-free

Type KW 90° (conduit fitting)

CONFORMITY

RoHS RoHS (EC Directive 2002/95/EC)

GENERAL INFORMATION

Made in Germany Made in Germany

All details given in our sales material prospectuses and catalogues as well as the information available online are based on our current knowledge of the products described.

The electronic data and files made available by Murrplastik, particularly CAD files are based on our current knowledge of the product described.

A legally binding assurance of certain properties or the suitability for a certain purpose can not be determined from this information.

All information with respect to the chemical and physical properties of Murrplastik products as well as application advice given verbally, in writing or by tests, is given to the best of our knowledge.

This does not free the purchaser of carrying out their own inspections and tests in order to determine the suitability of a product for a specific purpose.

Murrplastik accepts no responsibility for the available information being up-to-date, correct or complete. Neither do we accept responsibility for the quality of this information.

Murrplastik accepts no liability for damage caused as a result of using our products.

Murrplastik reserves the right to make technical changes and improvements through constant further development of products and services.

Our General Terms and Conditions apply.