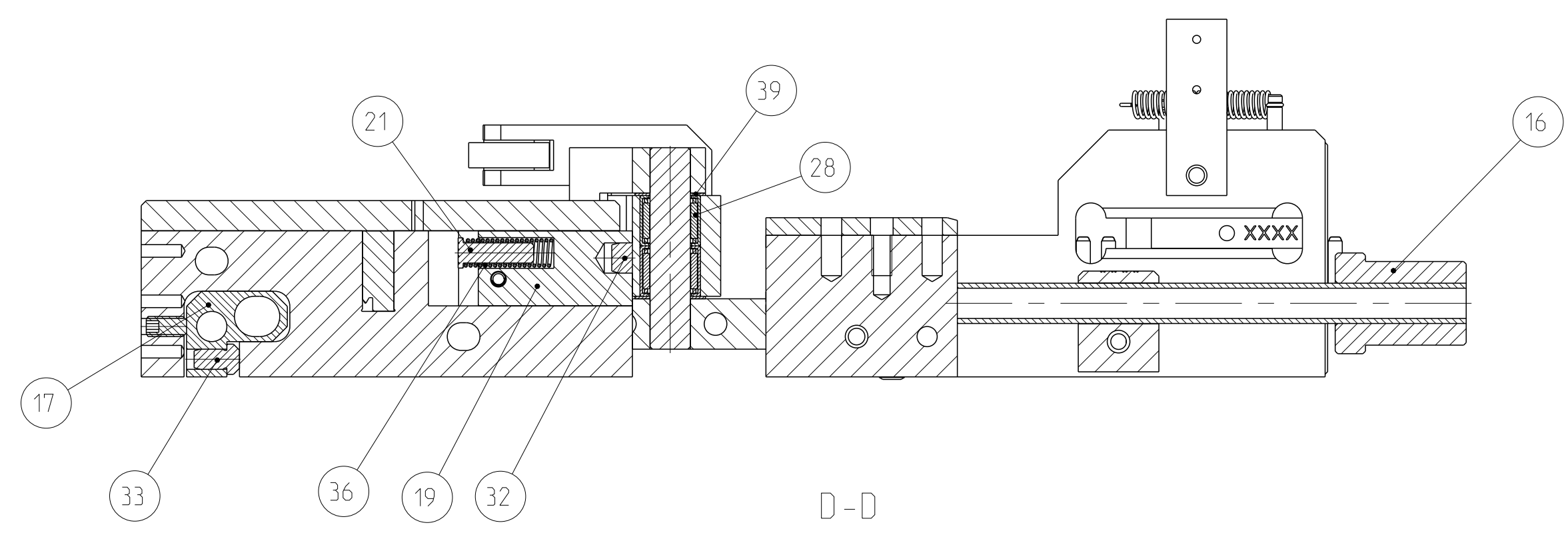
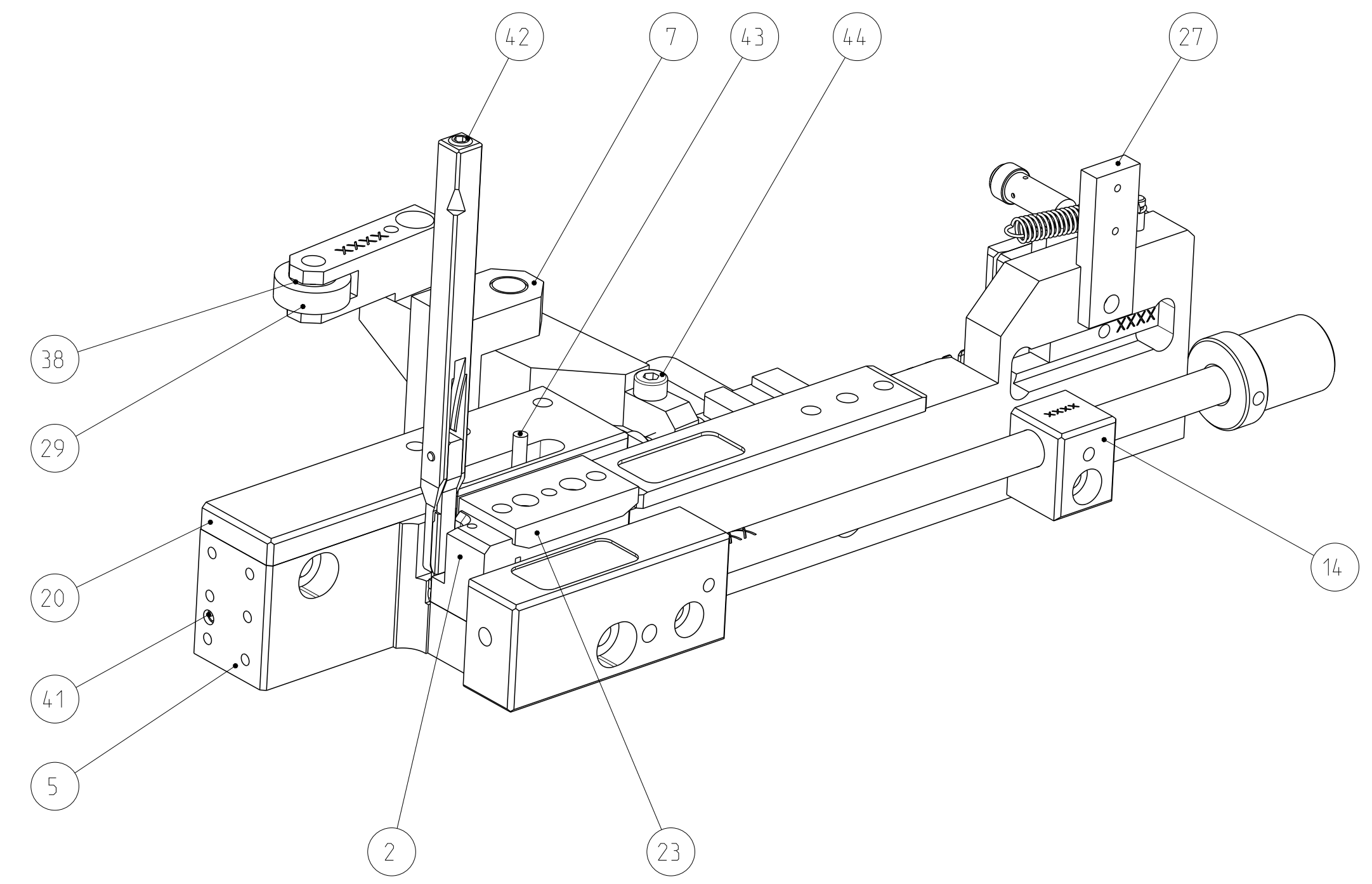
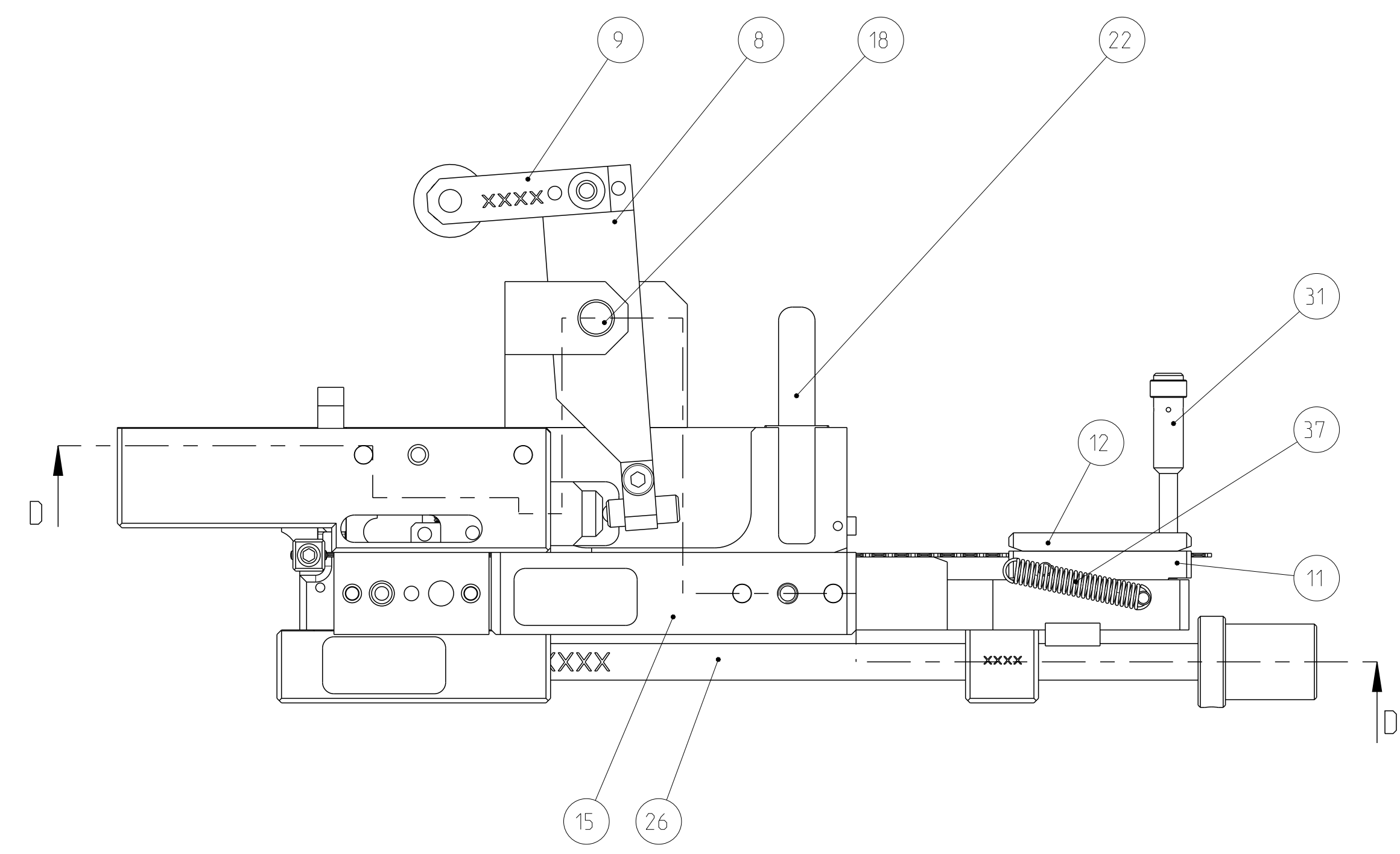
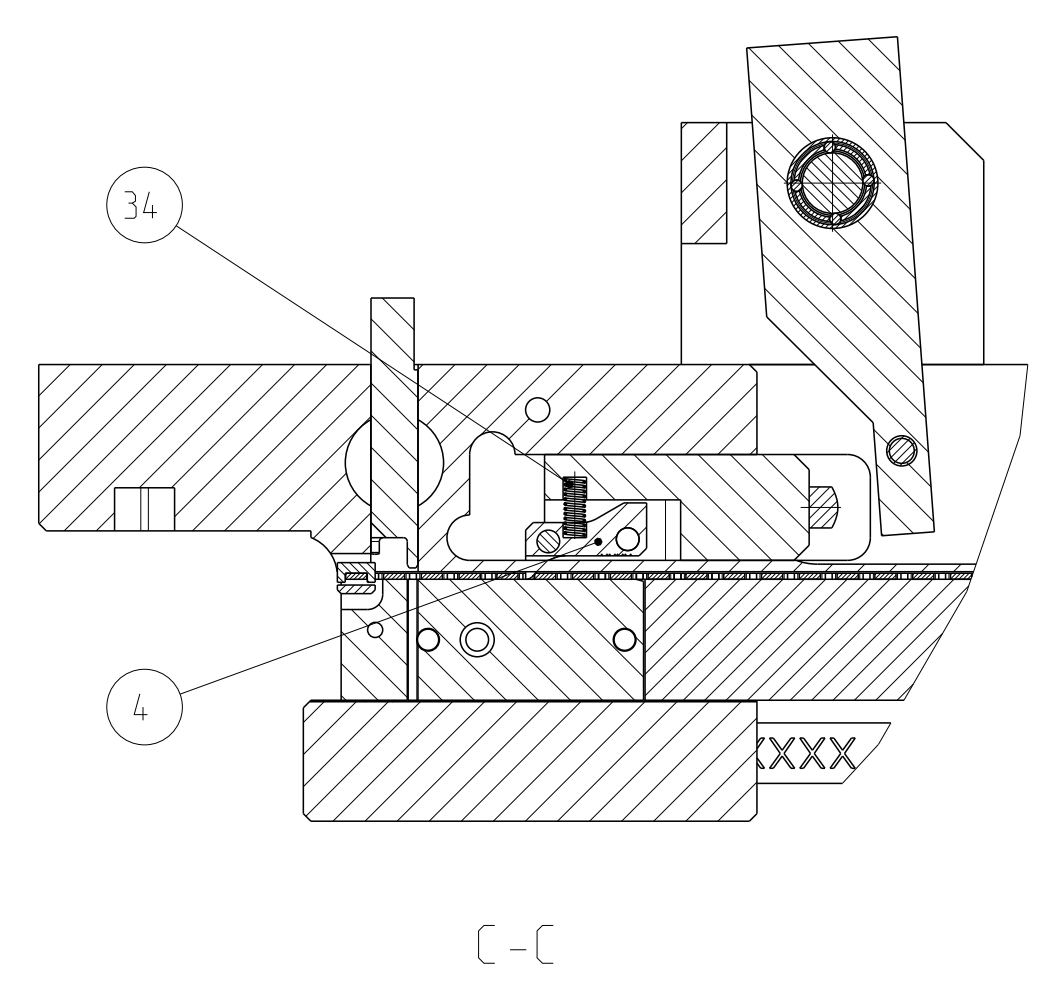
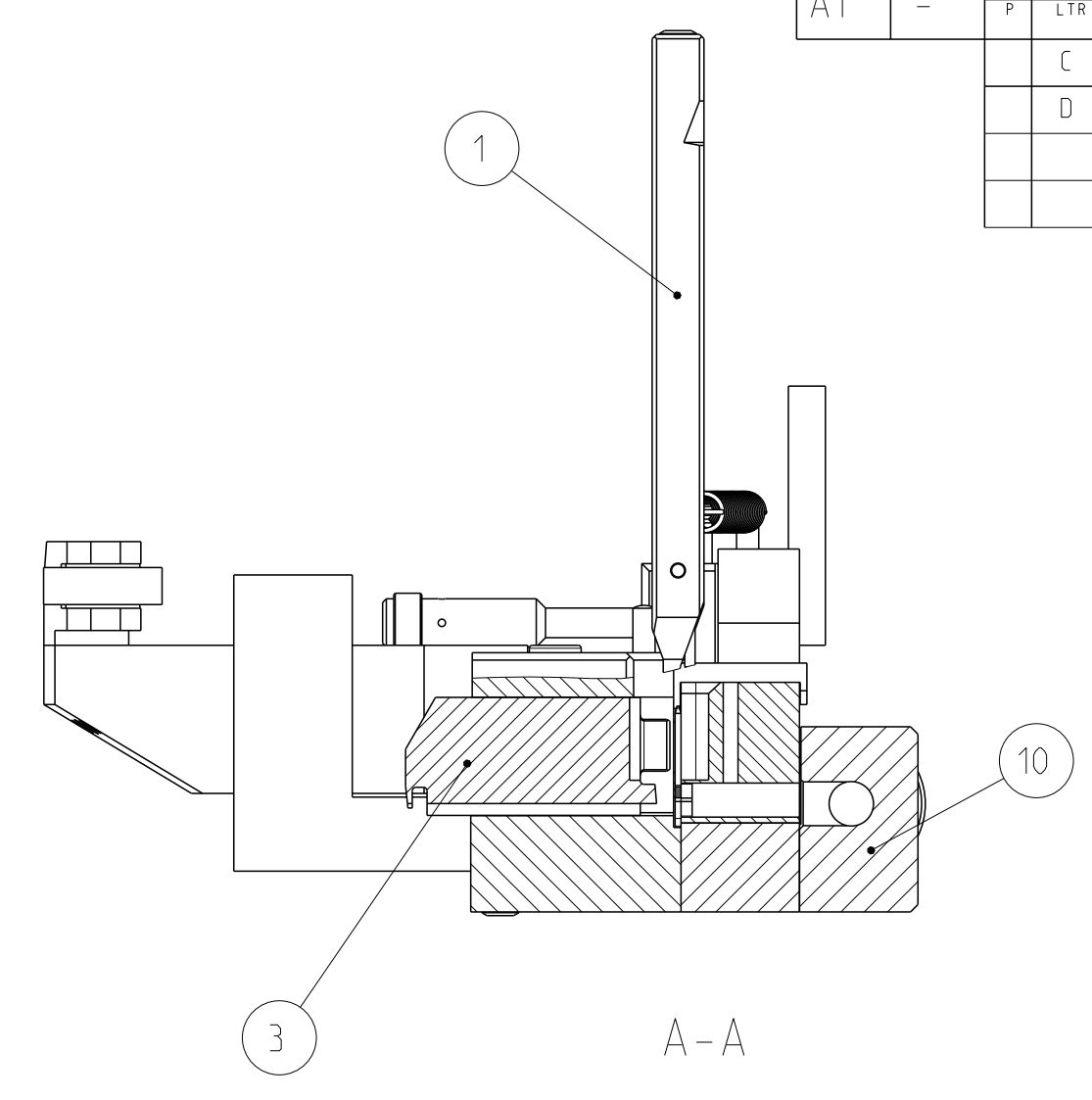
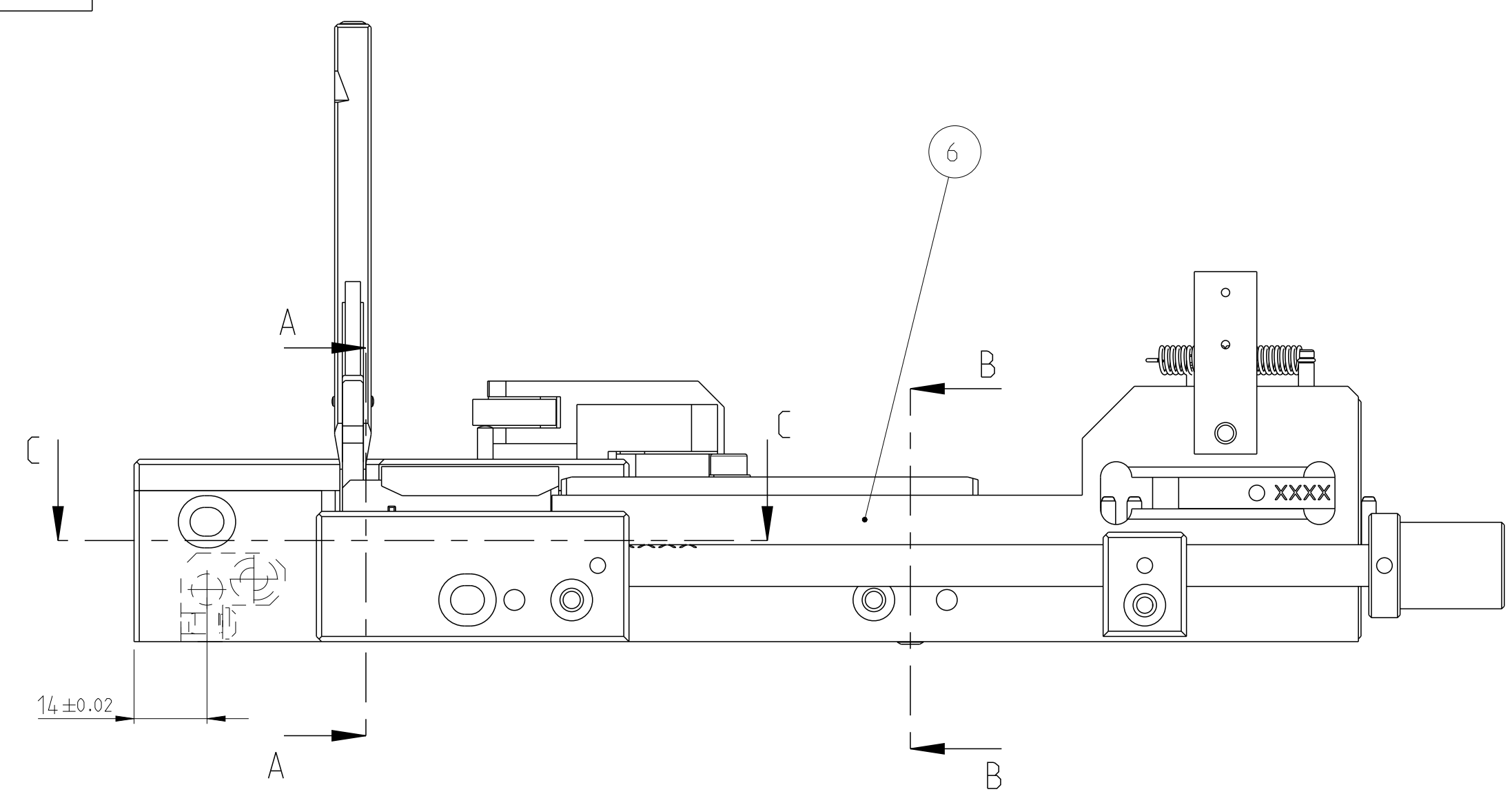
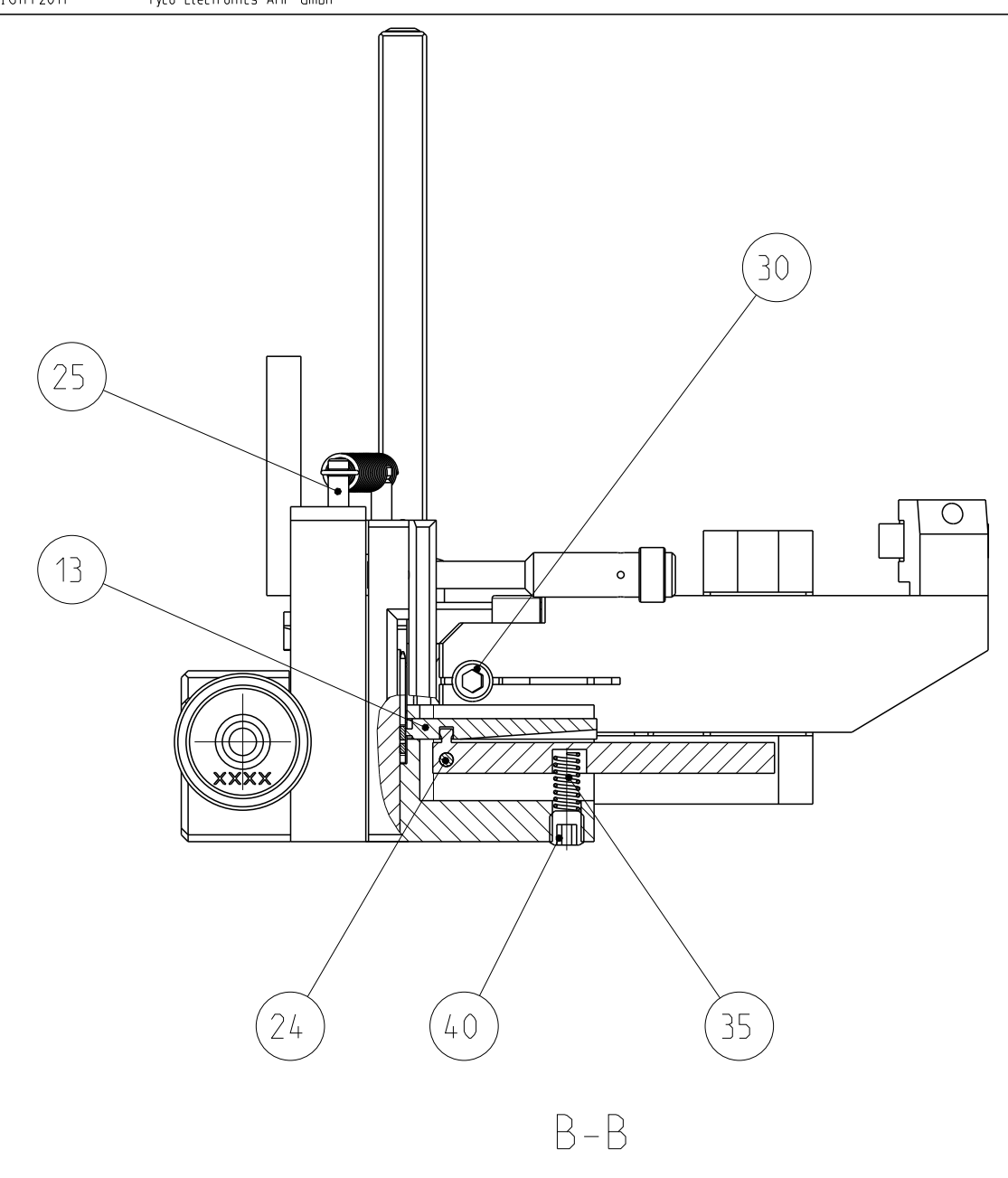


LOC		DIST		REVISIONS			
P	LTN	DESCRIPTION	DATE	DMN	APVD	KL	SB
C		INITIAL RELEASE	03JAN2012	KL	SB		
D		REVISED PER ECR-13-013379	23AUG2013	MM	SB		




Stückliste Blatt 2ff.
 Fuer Doppelstift-Basiswerkzeug

bei Montage abgestimmt

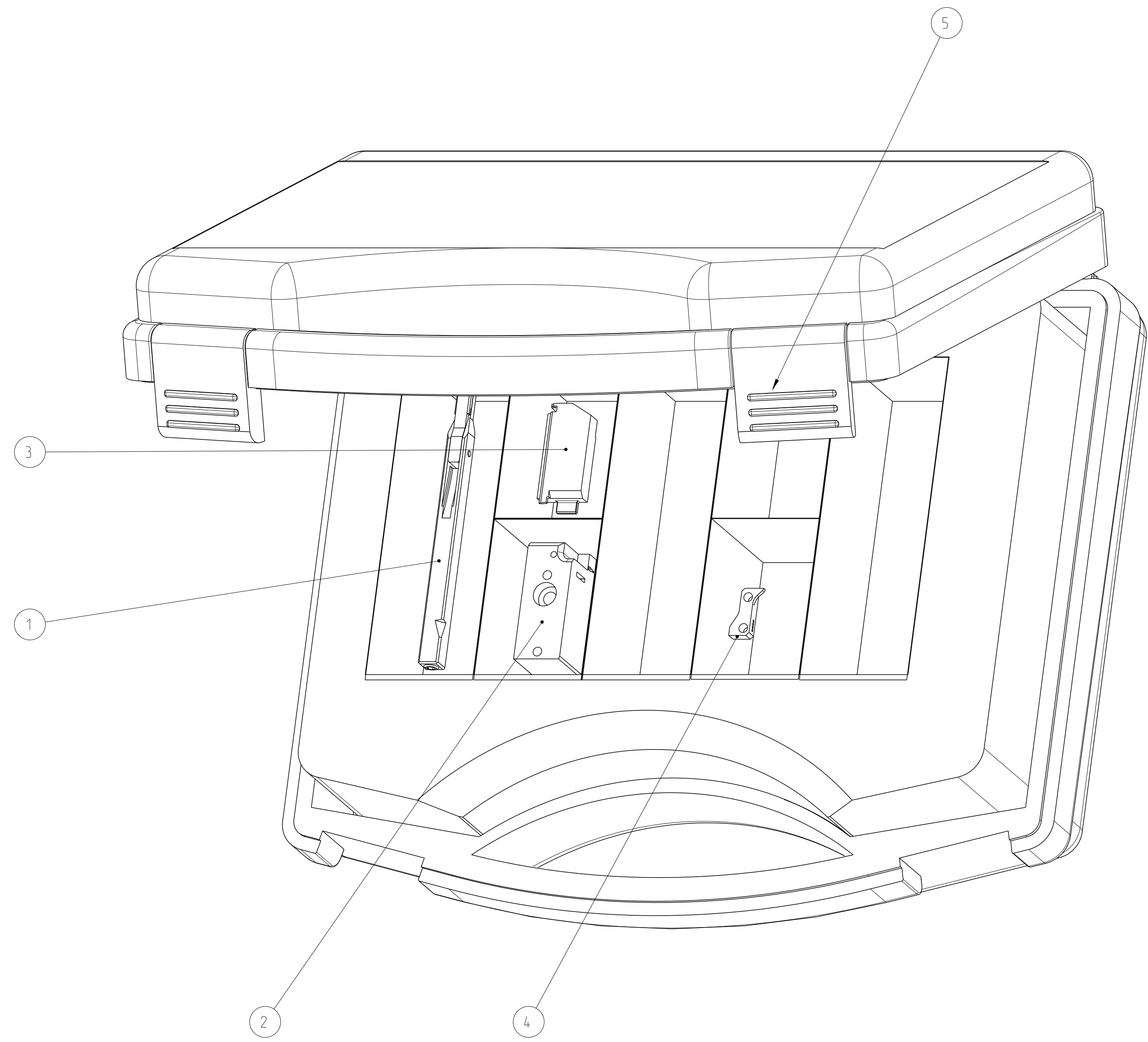
THIS DRAWING IS A CONTROLLED DOCUMENT.		DMN RAGHAVENDRA 03JAN2012	NAME	
DIMENSIONS: mm		CHK KURT L 03JAN2012	UMBAUSATZ CONVERSION KIT	
TOLERANCES UNLESS OTHERWISE SPECIFIED: 0 PLC 1 PLC 2 PLC 3 PLC 4 PLC ANGLES		APVD SIEGFRIED B 03JAN2012	RESTRICTED TO	
MATERIAL		FINISH	SIZE A1	CAGE CODE 00779
			DRAWING NO C=8-539904-5	REV D
		Customer Drawing	SCALE 1:1	SHEET 1 OF 3

LOC	DIST	REVISIONS				
		P	LTN	DATE	DWN	APVD
A1	-	-	-	SEE SHEET 1	-	-

POS	QTY	TE/PN	PART REV	DESCRIPTION	WEAR	SPARE
1	1	9-539496-0	C	SETZFINGER KOMPLETT insertion finger complete	YES	YES
2	1	7-1372347-3	C	SCHNITTPLATTE cutting plate	YES	YES
3	1	7-1372347-2	B	SCHNITTMESSER cutting blade	YES	YES
4	1	9-539939-3	B	VORSCHUBFINGER FEEDING FINGER	YES	YES
5	1	7-1372347-0	B	WERKZEUGBASIS tool base	-	-
6	1	7-1372347-1	B	FUEHRUNG VORNE guiding front	-	-
7	1	4-1372269-5	B	HALTER holder	-	-
8	1	4-1372269-6	C	HEBEL lever	-	-
9	1	5-1372234-3	B	Hebel lever	-	-
10	1	2-1372269-8	B	ABSAUGKLOTZ sucking block	-	-
11	1	5-1372234-5	B	Spliceerkennung innen recognition inside	-	-
12	1	5-1372234-6	B	Spliceerkennung aussen recognition outside	-	-
13	1	2-1372269-9	C	BREMSE brake	-	-
14	1	5-1372234-8	B	Halter holder	-	-
15	1	9-1372362-3	B	NIEDERHALTER downholder	-	-
16	1	6-1372234-0	C	Adapter adapter	-	-
17	1	6-1372234-1	B	Abstimmklotz adjusting block	-	-
18	1	6-1372234-3	B	Achse axis	-	-
19	1	7-1372347-4	B	TRANSPORTSCHIEBER transport slider	-	-
20	1	9-1372348-7	B	DECKEL cover	-	-
21	1	8-1372234-3	B	Federaufnahme spring bolt	-	-
22	1	3-1372269-2	B	HEBEL lever	-	-
23	1	6-1372421-2	B	NIEDERHALTER downholder	-	-
24	1	6-539939-7	B	BOLZEN BOLT	-	-
25	2	2-1372209-1	B	STIFT pin	-	-
26	1	7-1372178-9	B	ABSAUGROHR SUCTION PIPE	-	-
27	1	4-1372234-1	B	Halter holder	-	-
28	2	506344-6	A	NADELHÜLSE NEEDLE SLEEVE	-	YES
29	1	516403-1	A	FLOW ROLLER LAUFROLL	-	YES
30	1	511591-8	A	KUGELDRUCKSCHRAUBE M6*16 -	-	YES
31	1	2030573-1	A	Initiator sensor	-	YES
32	1	506797-1	A	BOLT NORELEM: 02010-061	-	YES
33	1	506797-7	A	BOLT NORELEM: 02010-041	-	YES
34	1	6-510500-5	A	Druckfeder PRESSURE SPRING	-	YES
35	1	9-510500-4	A	Druckfeder PRESSURE SPRING	-	YES
36	1	9-653861-3	E	Druckfeder PRESSURE SPRING	-	YES
37	1	9-653860-9	A	Zugfeder TENSION SPRING	-	YES
38	2	519037-3	A	Passscheibe 5x10x0.5 DIN 988 -	-	YES
39	2	519037-6	A	Passscheibe 8x14x0.5 DIN 988 -	-	YES
40	1	3-519011-5_EU	B	Gewindestift M5x5 DIN 913 -	-	YES
41	1	3-519011-0_EU	B	Gewindestift M4x8 DIN 913 -	-	YES
42	1	3-519011-6_EU	B	Gewindestift M5x6 DIN 913 -	-	YES
43	1	3-519051-7	A	Zyl.-Stift 3m6x24 DIN 6325 -	-	YES
44	1	2-519000-3	A	Zylinderschr. M4x16 DIN 912 -	-	YES

THIS DRAWING IS A CONTROLLED DOCUMENT.		DWN RAGHAVENDRA 03JAN2012	
DIMENSIONS: mm		CHK KURT L 03JAN2012	
TOLERANCES UNLESS OTHERWISE SPECIFIED:		APVD STEGRIED B 03JAN2012	NAME UMB AUSATZ CONVERSION KIT
0 PLC # # # #		PRODUCT SPEC	RESTRICTED TO
1 PLC # # # #		APPLICATION SPEC	SIZE A1
2 PLC # # # #		WEIGHT	CAGE CODE 00779
3 PLC # # # #		SCALE 1:1	DRAWING NO C=8-539904-5
4 PLC # # # #		SHEET 2 OF 3	REV D
ANGLES		Customer Drawing	
FINISH			
MATERIAL			

LOC	DIST	REVISIONS					
		P	LTN	DESCRIPTION	DATE	DWN	APVD
A1	-	-	-	SEE SHEET 1	-	-	-



TOOL KIT 8-1372804-5
 SHOWN

POS	QTY	TE/PN	PART REV	DESCRIPTION	WEAR	SPARE
1	1	9-539496-0	C	SETZFINGER KOMPLETT insertion finger complete	YES	YES
2	1	7-1372347-3	C	SCHNITTPLATTE cutting plate	YES	YES
3	1	7-1372347-2	B	SCHNITTMESSER cutting blade	YES	YES
4	1	9-539939-3	B	VORSCHUBFINGER FEEDING FINGER	YES	YES
5	1	539383-5	B	SUIT CASE ERSATZTEILKOFFER	-	-

THIS DRAWING IS A CONTROLLED DOCUMENT. DWN: RAGHAVENDRA 03JAN2012
 CHK: KURT L 03JAN2012
 APVD: SIEGFRIED B 03JAN2012

TE Connectivity

NAME: UMBBAUSATZ CONVERSION KIT

SIZE: A1 CAGE CODE: 00779 DRAWING NO: C=8-539904-5 RESTRICTED TO: -

MATERIAL: - FINISH: - WEIGHT: - SCALE: 1:1 SHEET 3 OF 3 REV D

Customer Drawing