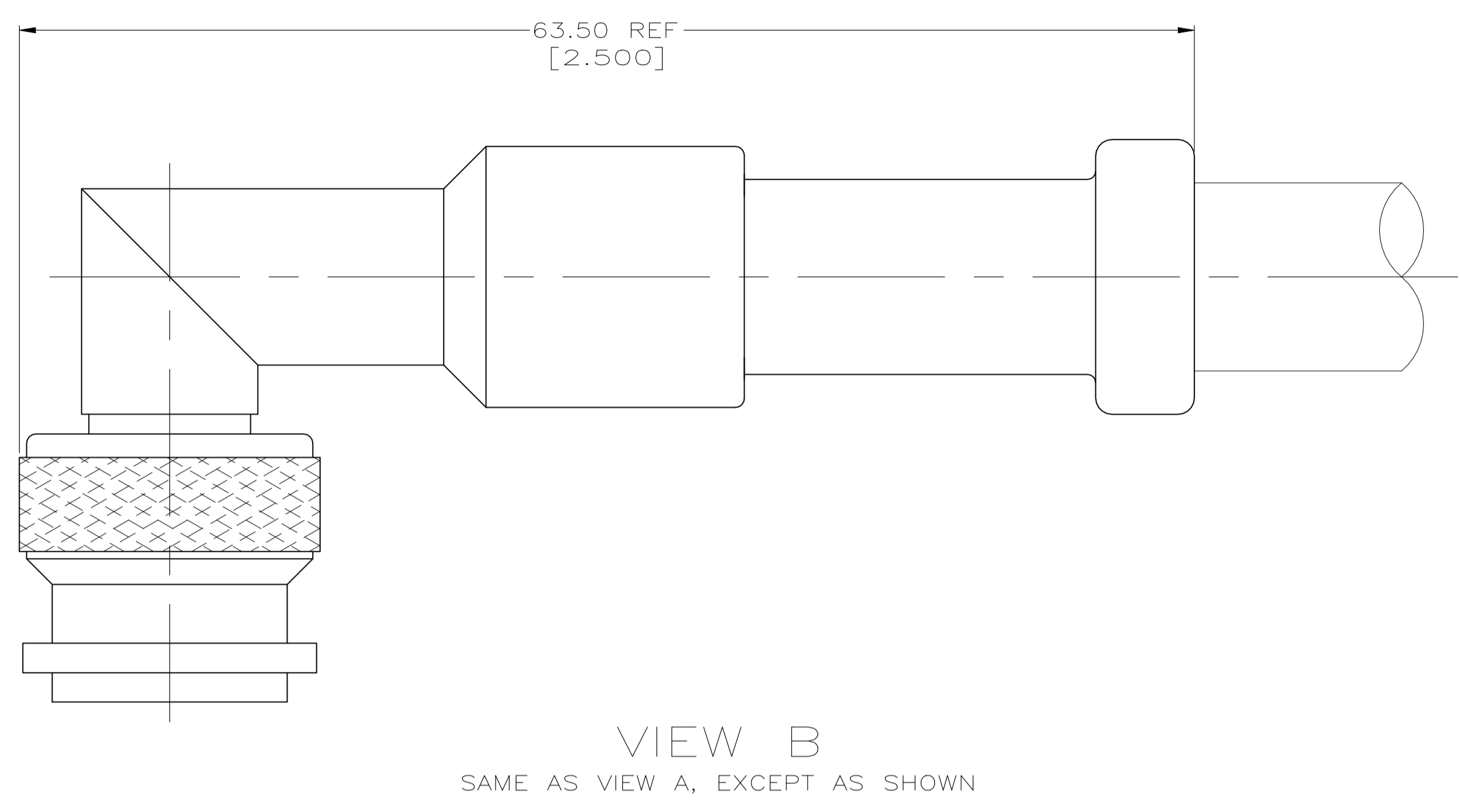
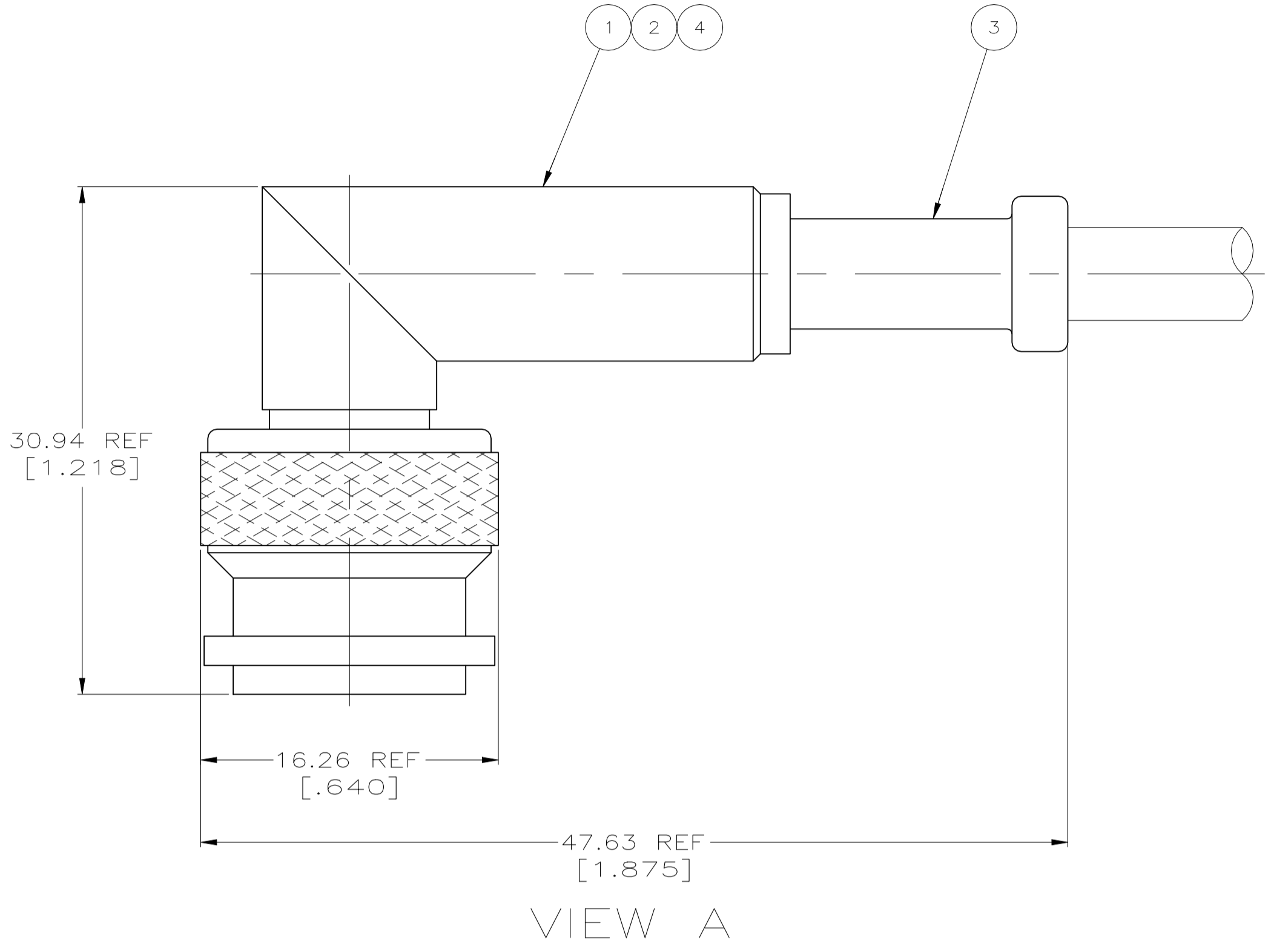
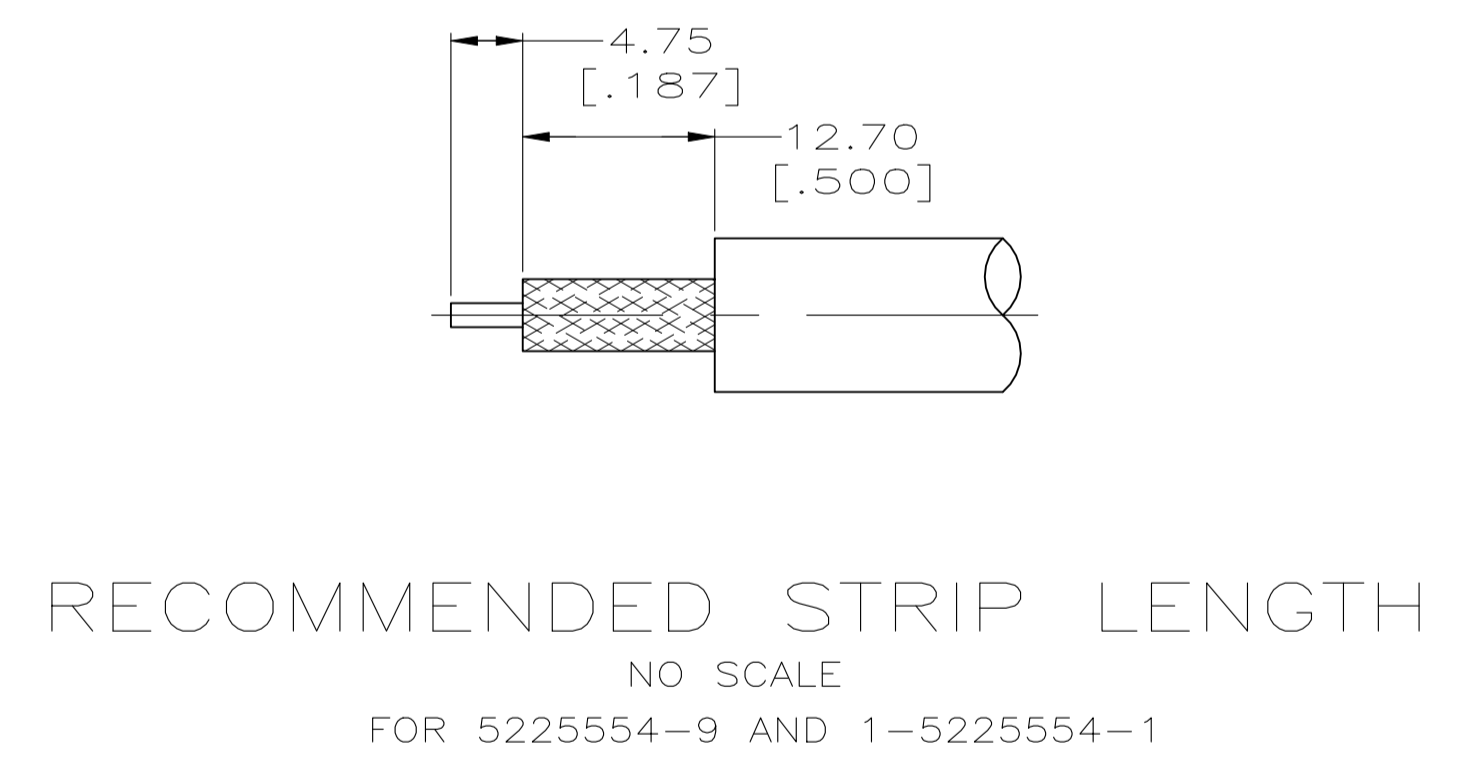
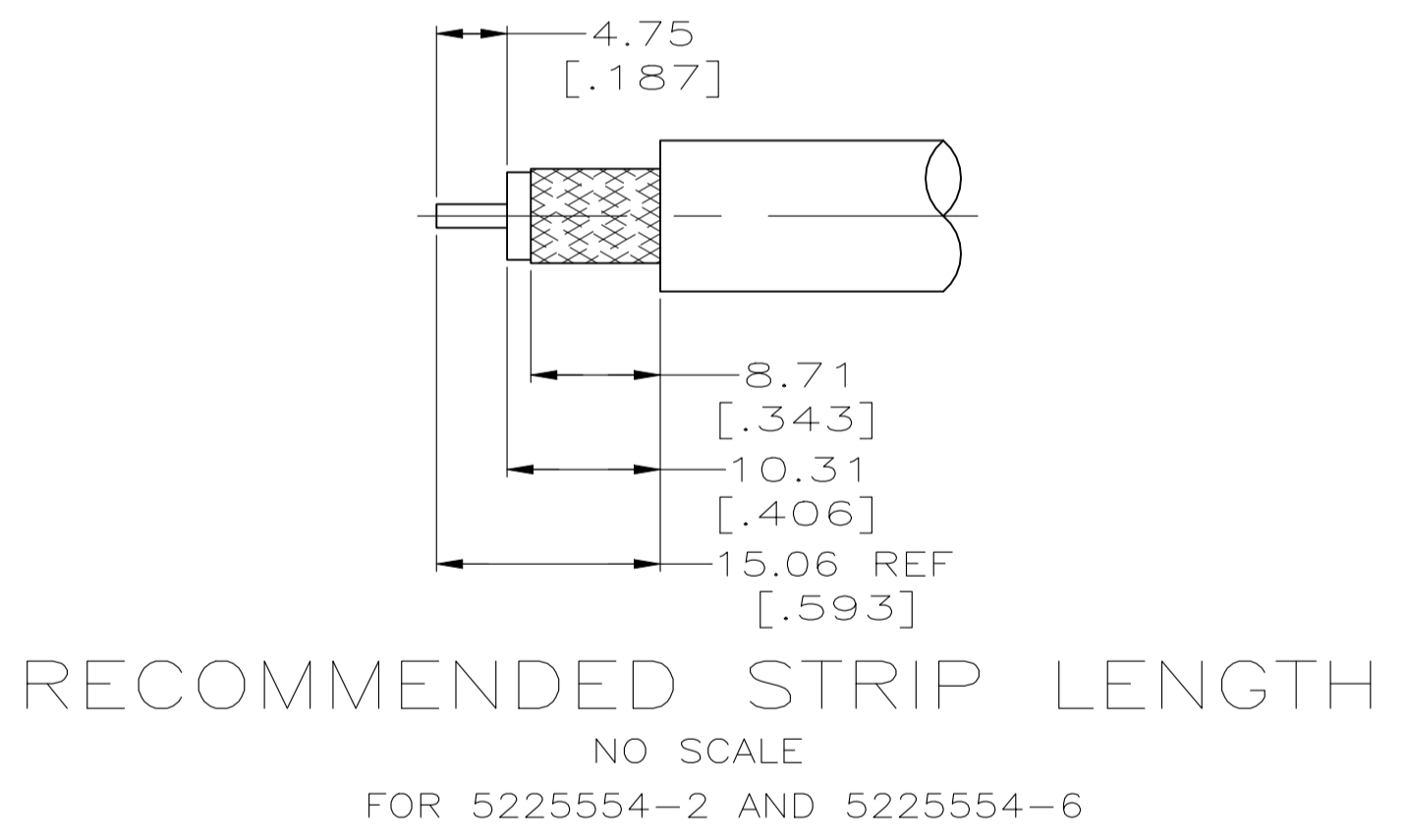


REVISIONS					
REV	DATE	DESCRIPTION	BY	CHK	APP'D
A1	26OCT2021	REVISED PER ECN-21-122181	RZ		WK

1. USE INSTRUCTION SHEET 408-2299-5.



VIEW B
SAME AS VIEW A, EXCEPT AS SHOWN



RG-393/U	220015-1	332022	9-225490-1	225471-7	9-225518-0	B	1-5225554-1
RG-9/U, 9A/U & 214/U	220015-1	332022	9-331987-3	225599-1	9-225518-0	B	5225554-9
RG-142/U, 142A/U, 142B/U	220045-2	-	9-225560-4	225471-3	9-225518-2	A	5225554-6
RG-58A/U, 58C/U	220045-2	-	9-225560-5	225471-1	9-225518-1	A	5225554-2
CABLE	CRIMP TOOL	④ SEAL QTY=1	③ FERRULE QTY=1	② CONTACT QTY=1	① PLUG ASSEMBLY QTY=1	VIEW	PART NUMBER

THIS DRAWING IS A CONTROLLED DOCUMENT.

DIMENSIONS: mm [INCHES]	TOLERANCES UNLESS OTHERWISE SPECIFIED:	DIN 18420	APPROVED	DATE	BY	CHK	APP'D
0. PLC ± -	1. PLC ± -	18420	J. HAVENER	18APR2005	A. FERNANDEZ	J. LIPPERT	18APR2005
2. PLC ± 0.41 [0.016]	3. PLC ± -	18420	J. LIPPERT	18APR2005	NAME	TE Connectivity	NAME
4. PLC ± -	ANGLES ± -	18420	NAME	NAME	PRODUCT SPEC	108-12001	PLUG, RIGHT ANGLE, WEATHERPROOF, TNC
MATERIAL	FINISH	18420	NAME	NAME	APPLICATION SPEC	408-2299-5	RESTRICTED TO
		18420	NAME	NAME	WEIGHT	0.000000	SCALE 4:1 SHEET 1 of 1 REV A1
		18420	NAME	NAME	CUSTOMER DRAWING		