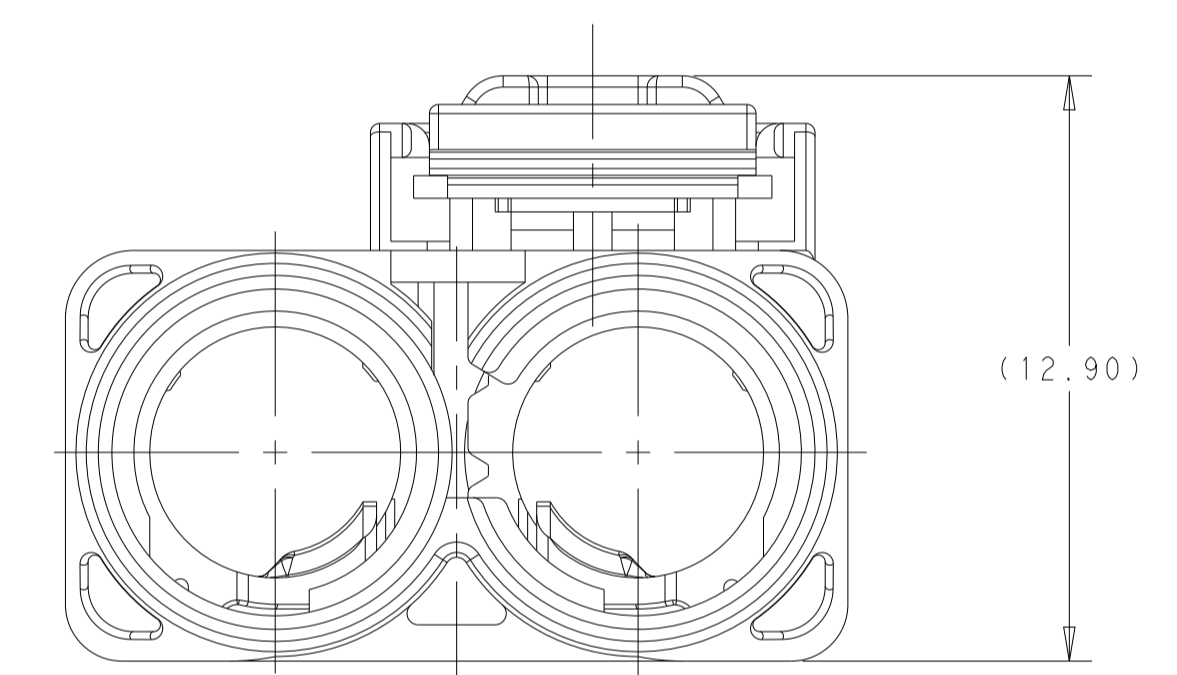
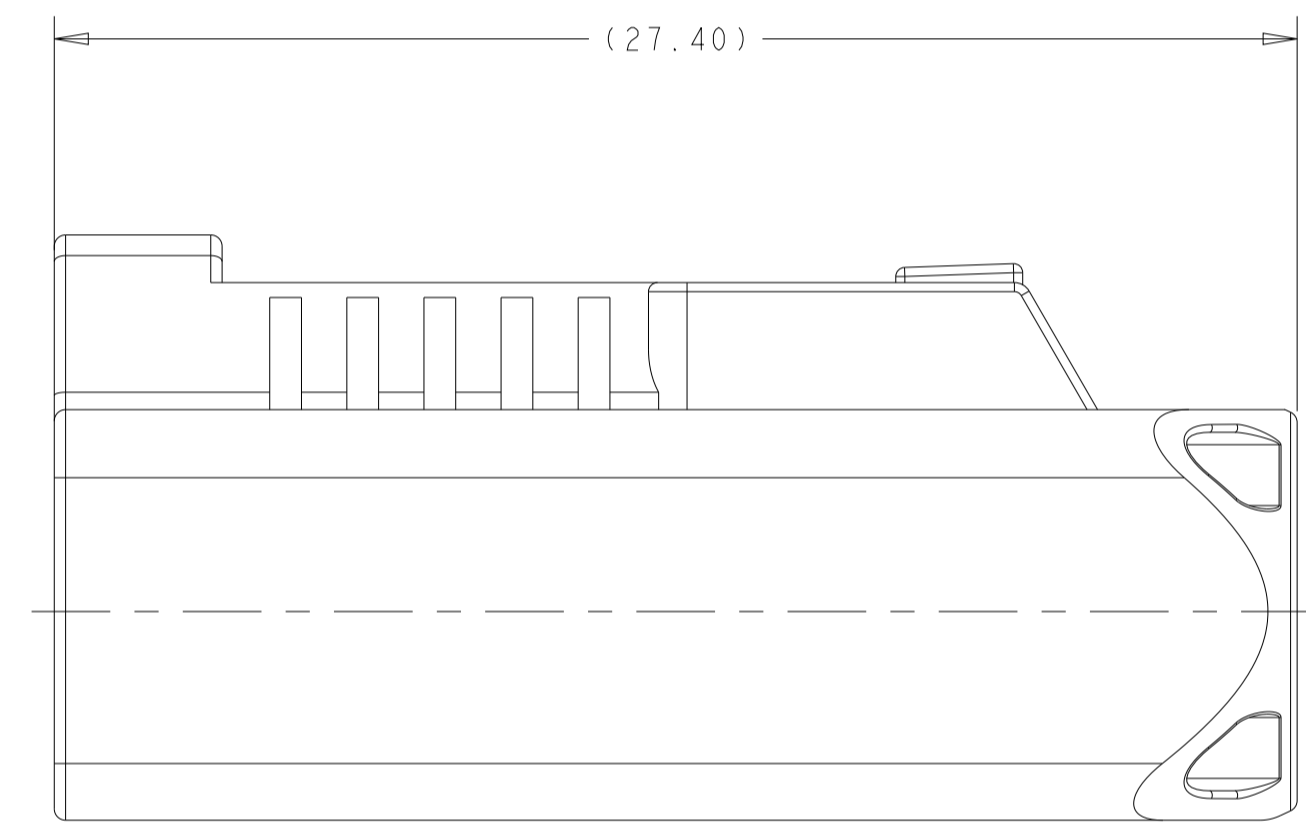
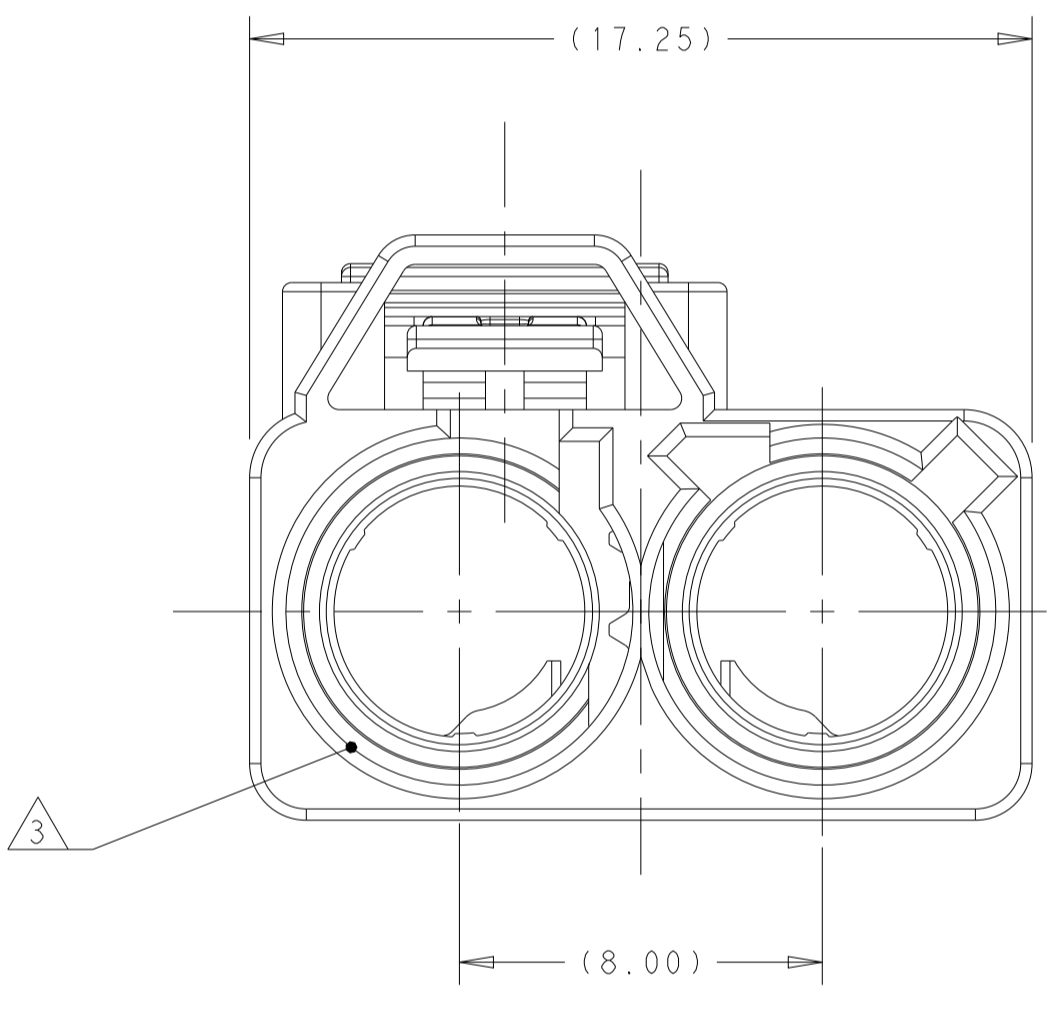
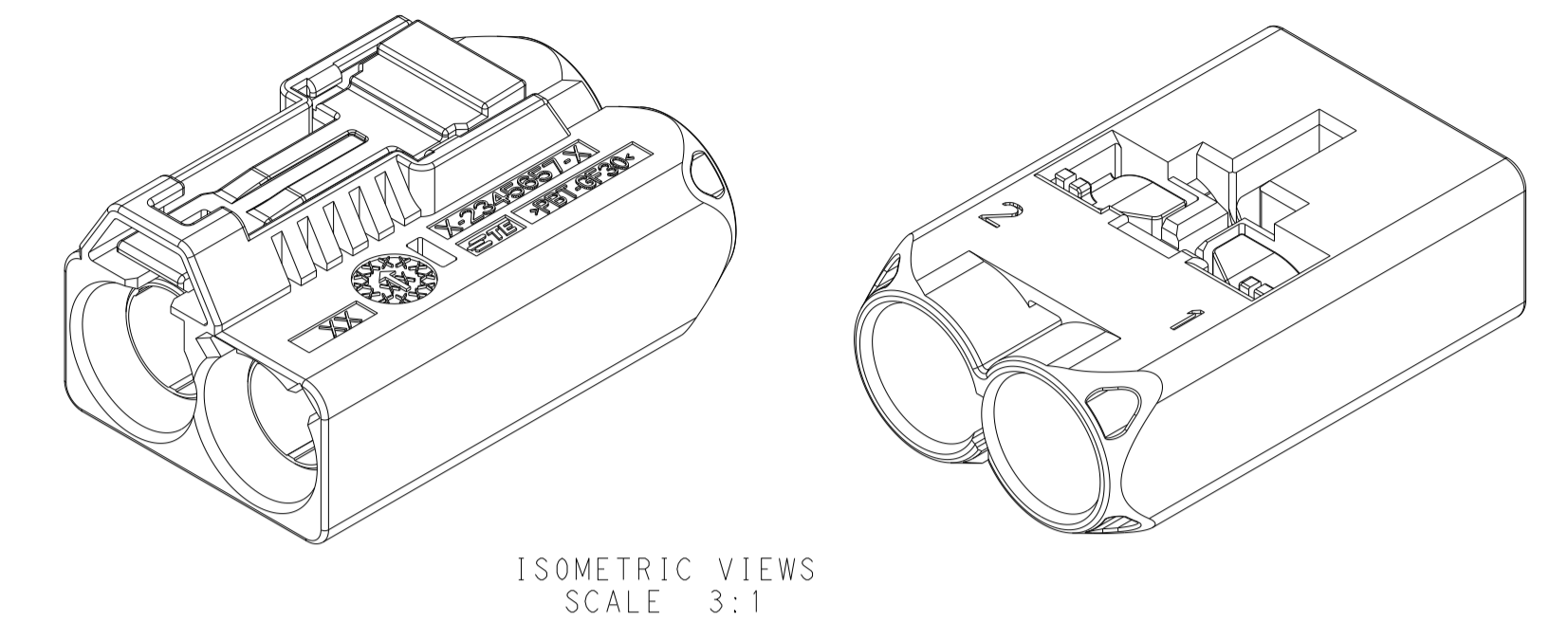
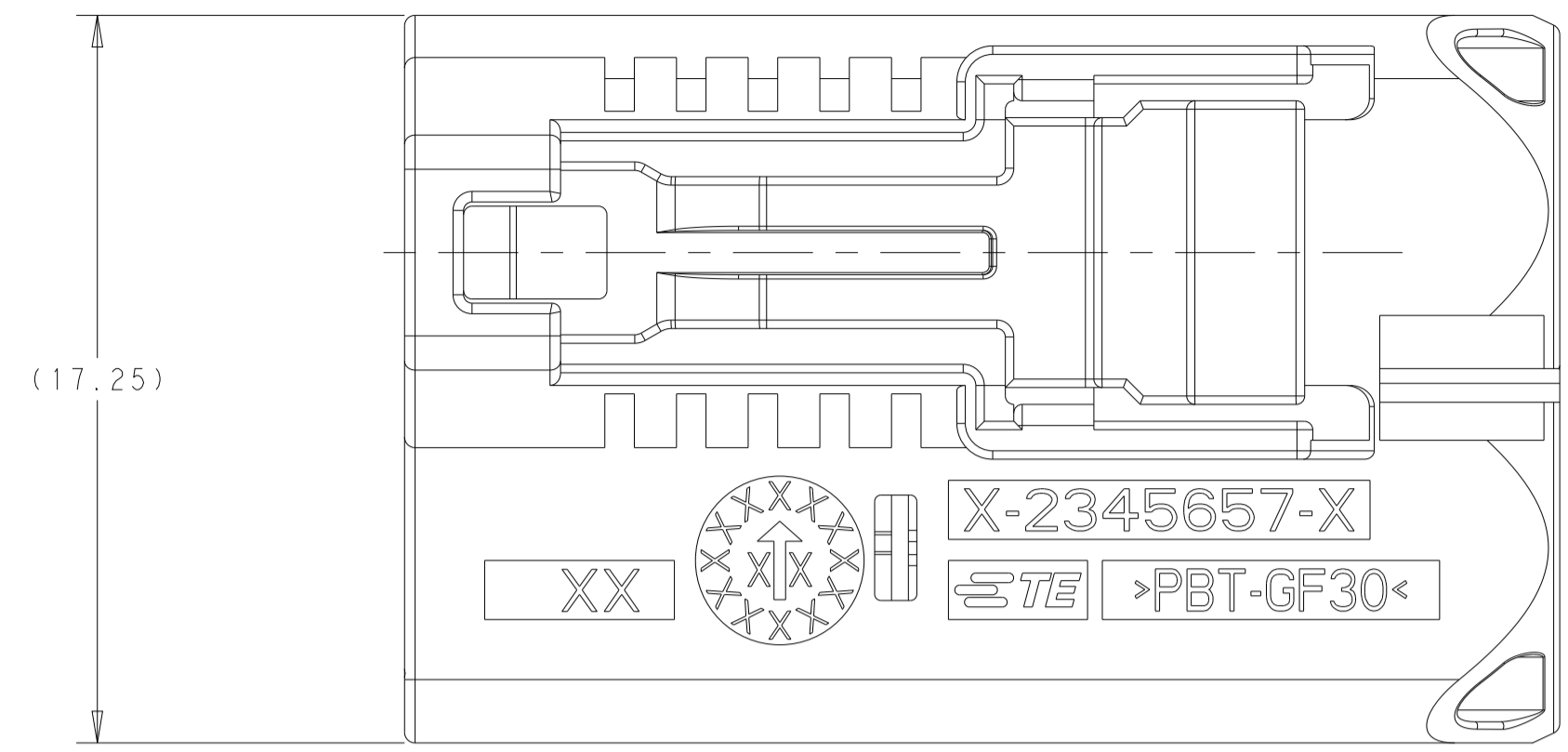


REVISIONS				
P	LTN	DESCRIPTION	DATE	APVD
A		INITIAL RELEASE	22 JUL 2022	SR AC



Z	PER DETAIL Z	WATER BLUE	2-2345657-0
N	PER DETAIL N	PASTEL GREEN	1-2345657-3
M	PER DETAIL M	PASTEL ORANGE	1-2345657-2
L	PER DETAIL L	CARMINE RED	1-2345657-1
K	PER DETAIL K	CURRY	1-2345657-0
I	PER DETAIL I	BEIGE	2345657-9
H	PER DETAIL H	HEATHER VIOLET	2345657-8
G	PER DETAIL G	BLUE GREY	2345657-7
F	PER DETAIL F	NUT BROWN	2345657-6
E	PER DETAIL E	LEAF GREEN	2345657-5
D	PER DETAIL D	CLARET VIOLET	2345657-4
C	PER DETAIL C	SIGNAL BLUE	2345657-3
B	PER DETAIL B	CREAM	2345657-2
A	PER DETAIL A	JET BLACK	2345657-1
KEY CODE	KEYING	CODING COLOR	PART NUMBER

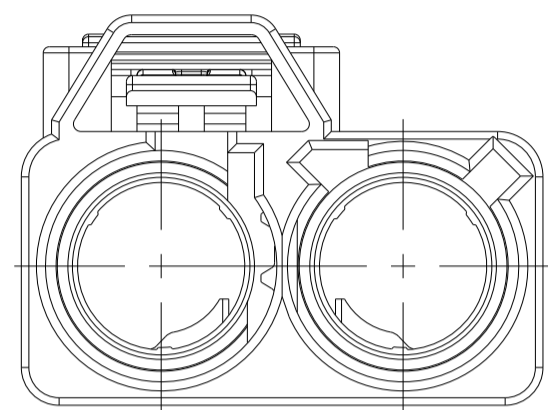
- 1. 2345657-1 AS SHOWN.
- 2 MATERIAL, POLYESTER PBT, COLOR SEE TABLE.
- 3 FEMALE INTERFACE PER ISO-20860-1, ISO-20860-2, SAE/USCAR-17, SAE/USCAR-18.

THIS DRAWING IS A CONTROLLED DOCUMENT.

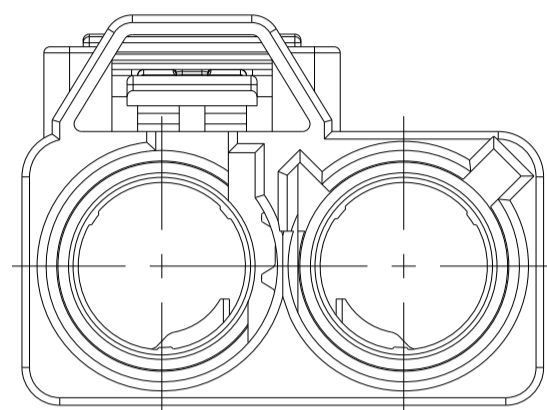
OWN	J. SHIRK	08JUL2019	TE Connectivity
CHK	N. EVANS	08JUL2019	
APVD	N. EVANS	08JUL2019	
NAME	FEMALE HOUSING, 2 POSITION, 8.0mm CENTERLINE, 180 DEGREE, FAKRA		
DIMENSIONS:	TOLERANCES UNLESS OTHERWISE SPECIFIED:		PRODUCT SPEC
mm	0 PLC	±	108-32137
	1 PLC	±	APPLICATION SPEC
	2 PLC	±	114-32145
	3 PLC	±	WEIGHT
	4 PLC	±	
	ANGLES	±1°	
MATERIAL	FINISH		

CUSTOMER DRAWING SCALE 6:1 SHEET 1 OF 2 REV A

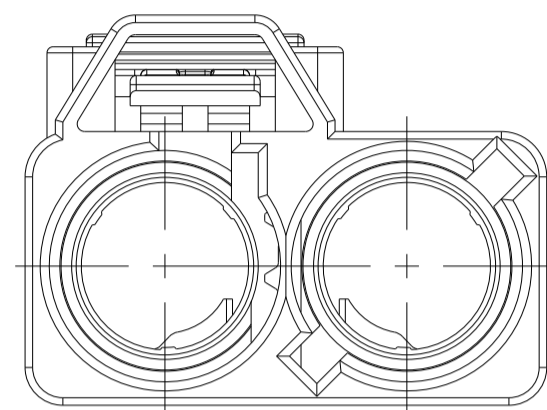
REVISIONS				
P	LTN	DESCRIPTION	DATE	APVD
-		SEE SHEET 1	-	-



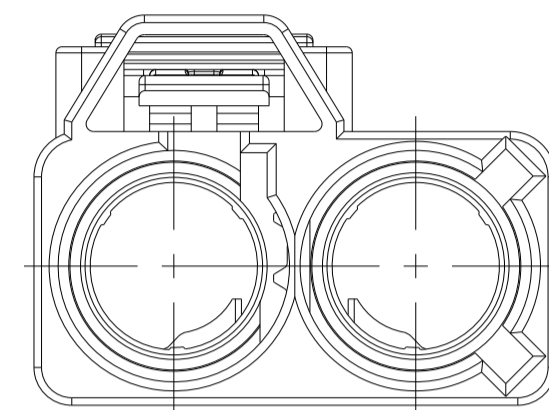
DETAIL A
SCALE 4:1



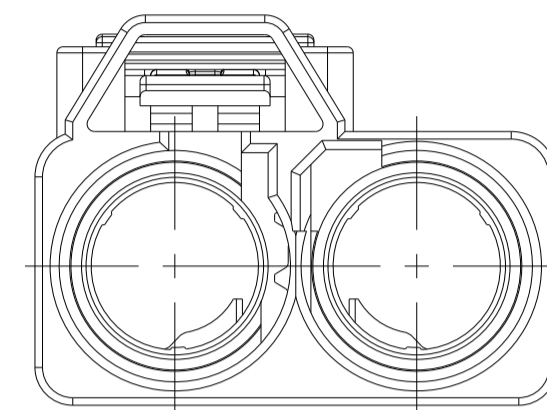
DETAIL B
SCALE 4:1



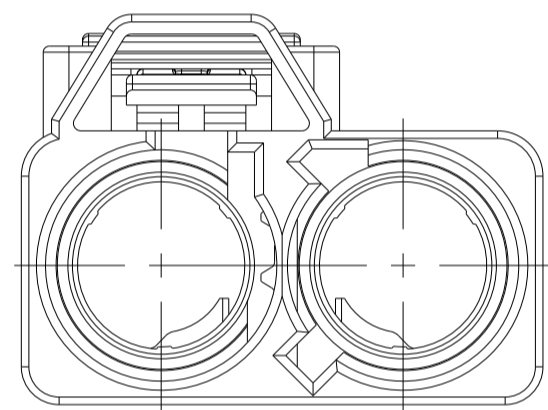
DETAIL C
SCALE 4:1



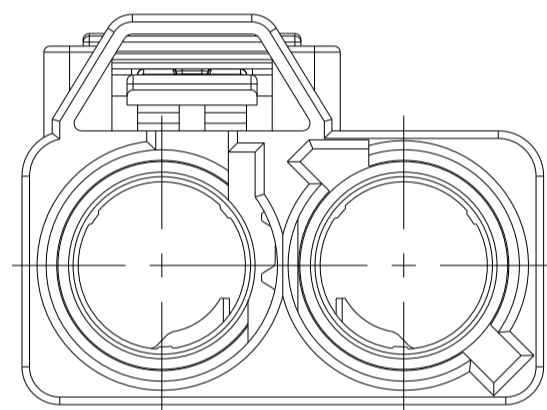
DETAIL D
SCALE 4:1



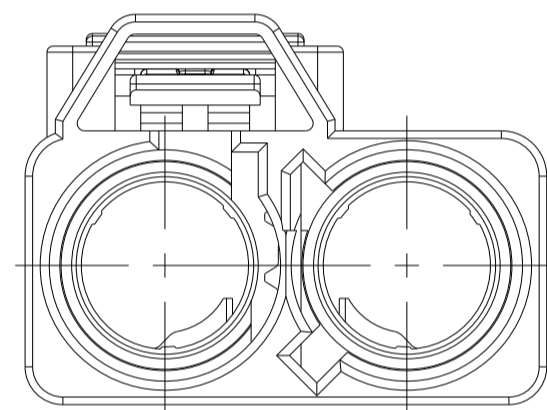
DETAIL E
SCALE 4:1



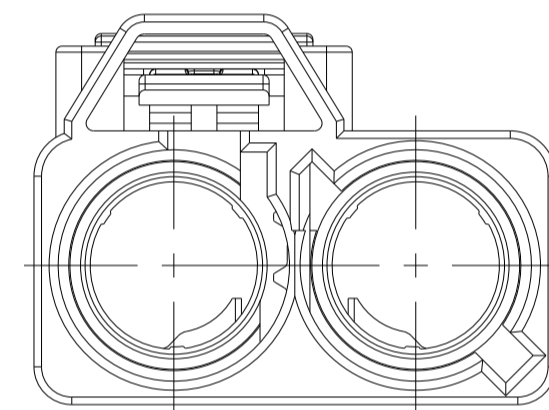
DETAIL F
SCALE 4:1



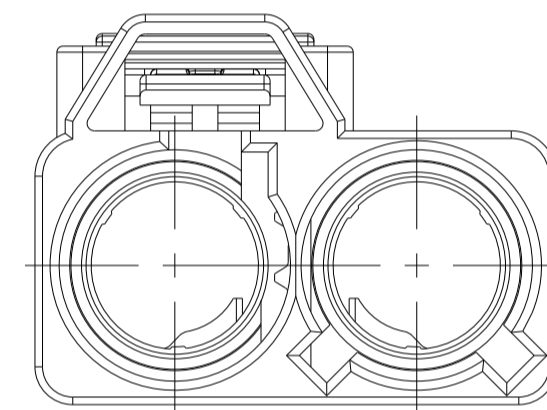
DETAIL G
SCALE 4:1



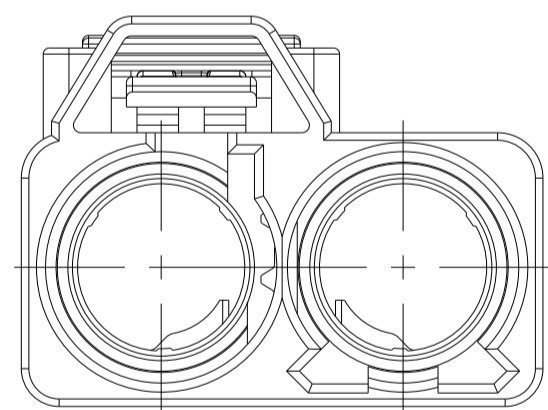
DETAIL H
SCALE 4:1



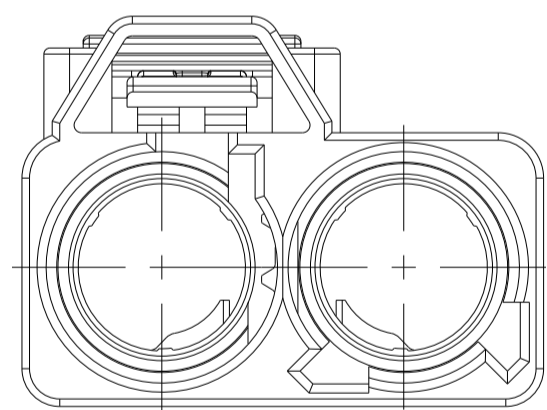
DETAIL I
SCALE 4:1



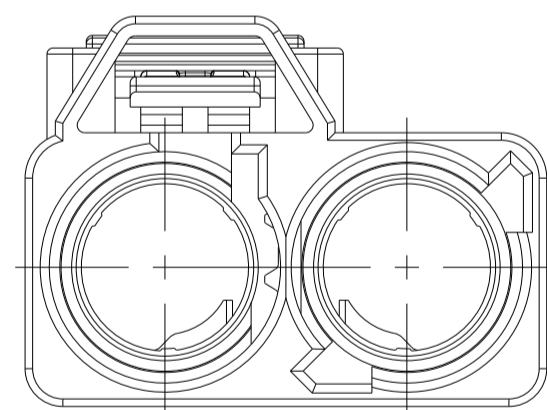
DETAIL K
SCALE 4:1



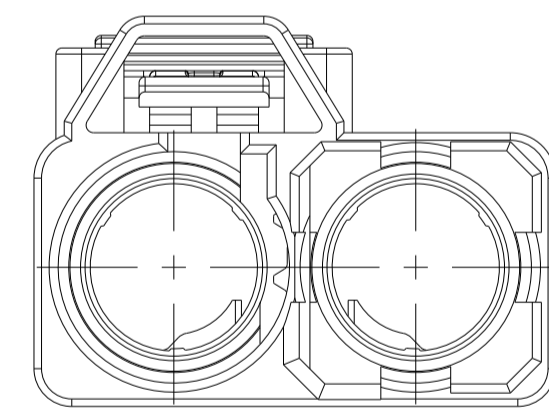
DETAIL L
SCALE 4:1



DETAIL M
SCALE 4:1



DETAIL N
SCALE 4:1



DETAIL Z
SCALE 4:1

THIS DRAWING IS A CONTROLLED DOCUMENT.		OWN J. SHIRK 08JUL2019	
DIMENSIONS: mm		CHK N. EVANS 08JUL2019	
		APVD N. EVANS 08JUL2019	NAME FEMALE HOUSING, 2 POSITION, 8.0mm CENTERLINE, 180 DEGREE, FAKRA
TOLERANCES UNLESS OTHERWISE SPECIFIED:		PRODUCT SPEC 108-32137	RESTRICTED TO
0 PLC ±.1		APPLICATION SPEC 114-32145	SIZE CAGE CODE DRAWING NO
1 PLC ±.1		WEIGHT	A I - C=2345657
2 PLC ±.1		CUSTOMER DRAWING	SCALE 5:1 SHEET 2 OF 2 REV A
3 PLC ±.1			
4 PLC ±.1			
ANGLES ±1°			
FINISH			