

MATERIAL

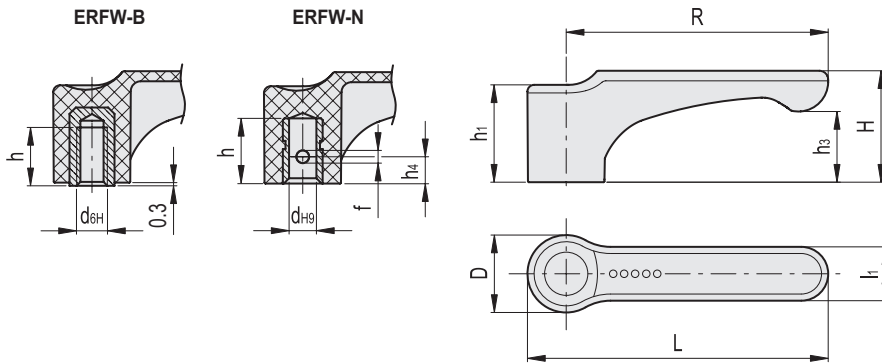
Glass-fibre reinforced polyamide based (PA) technopolymer, grey-black colour, matte finish.

STANDARD EXECUTIONS

- **ERFW-B:** brass boss, threaded blind hole.
- **ERFW-N:** cylindrical blind hole, brass reinforcement and transversal semi-machined hole for pinning to shaft.



ERGOSTYLE® ELESA Original design



Conversion Table	
1 mm = 0.039 inch	
R	
mm	inch
44	1.73
63	2.48
78	3.07

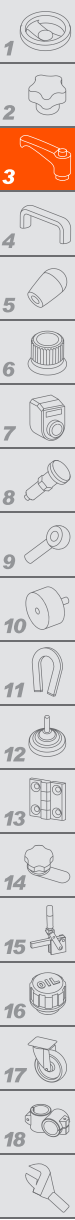
ERFW-B

METRIC

Code	Description	R	d6H	L	D	H	h	h1	h3	li	⚖
232301-C1	ERFW.44 B-M6-C1	44	M6	52	15.5	21	12	19	13	11	9
232321-C1	ERFW.63 B-M8-C1	63	M8	73	19	28	13	25	18	13.5	19
232341-C1	ERFW.78 B-M10-C1	78	M10	90.5	23	33	17	30	21	16	42

ERFW-N

Code	Description	R	dH9	L	D	H	h	h1	h3	h4	li	f	⚖
232311-C1	ERFW.44 N-6-C1	44	6	52	15.5	21	15	19	13	7	11	3	5
232331-C1	ERFW.63 N-8-C1	63	8	73	19	28	20	25	18	8	13.5	4	11
232351-C1	ERFW.78 N-10-C1	78	10	90.5	23	33	25	30	21	9	16	4	31



Clamping levers