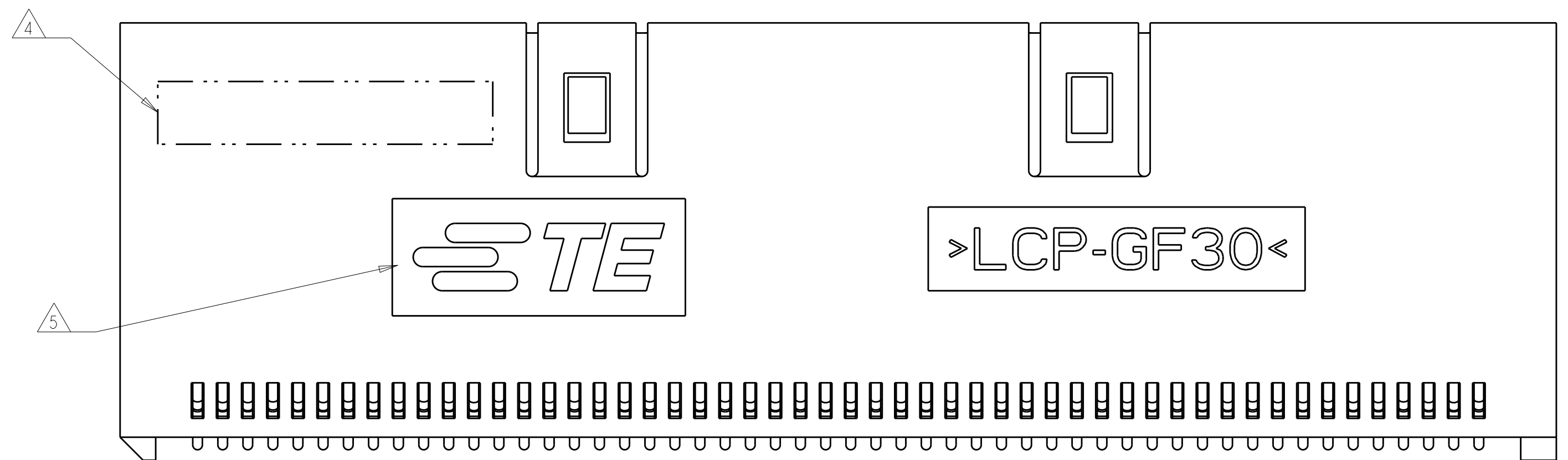
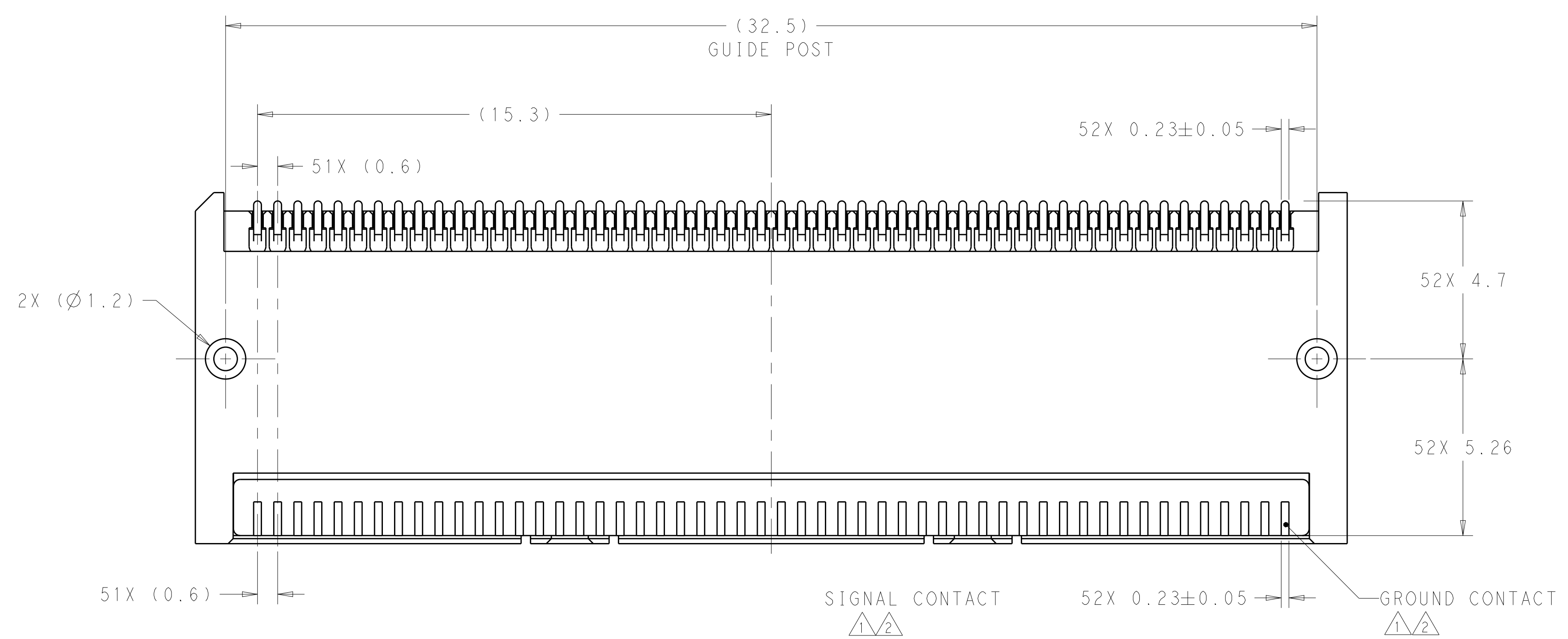
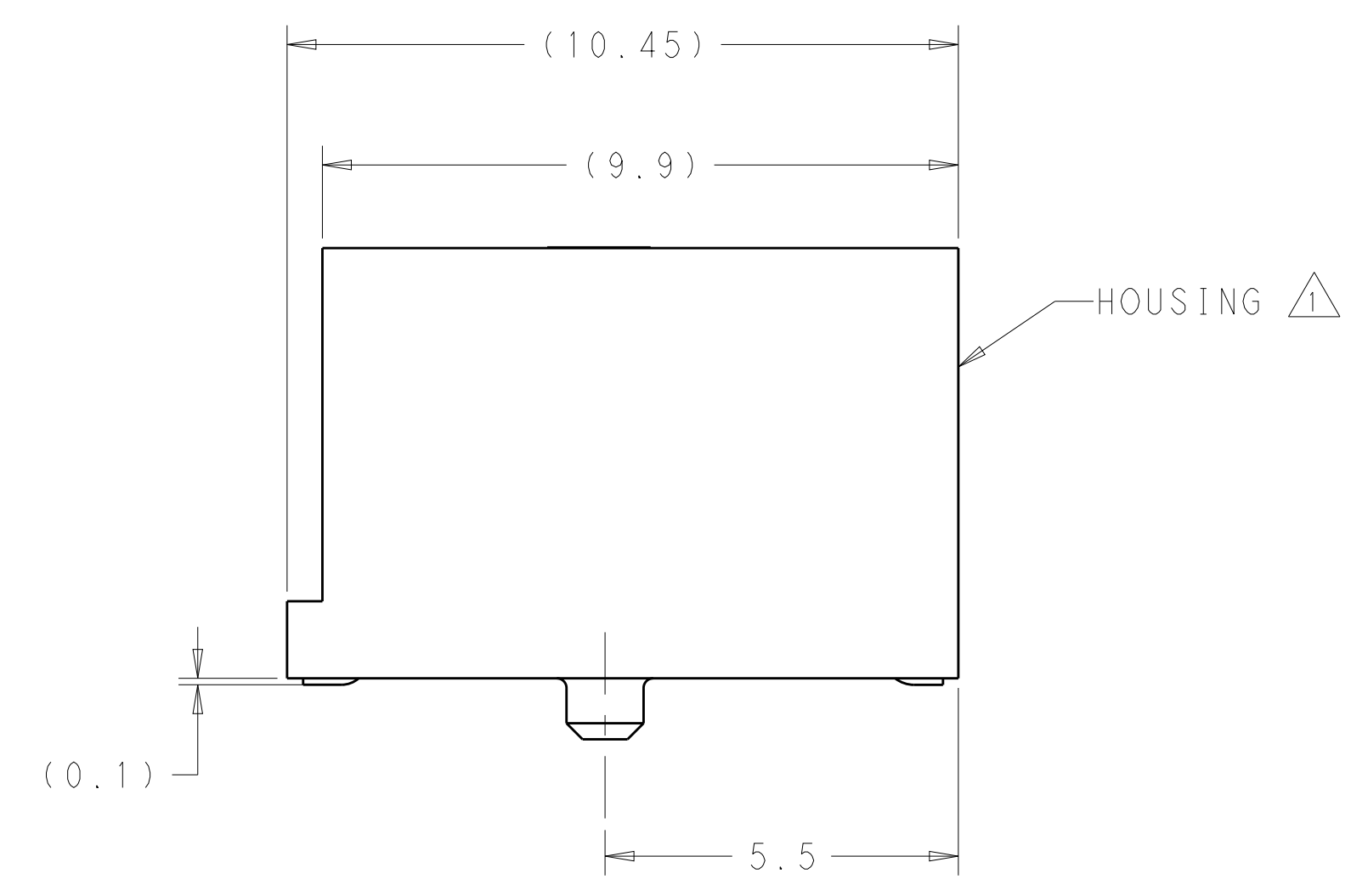
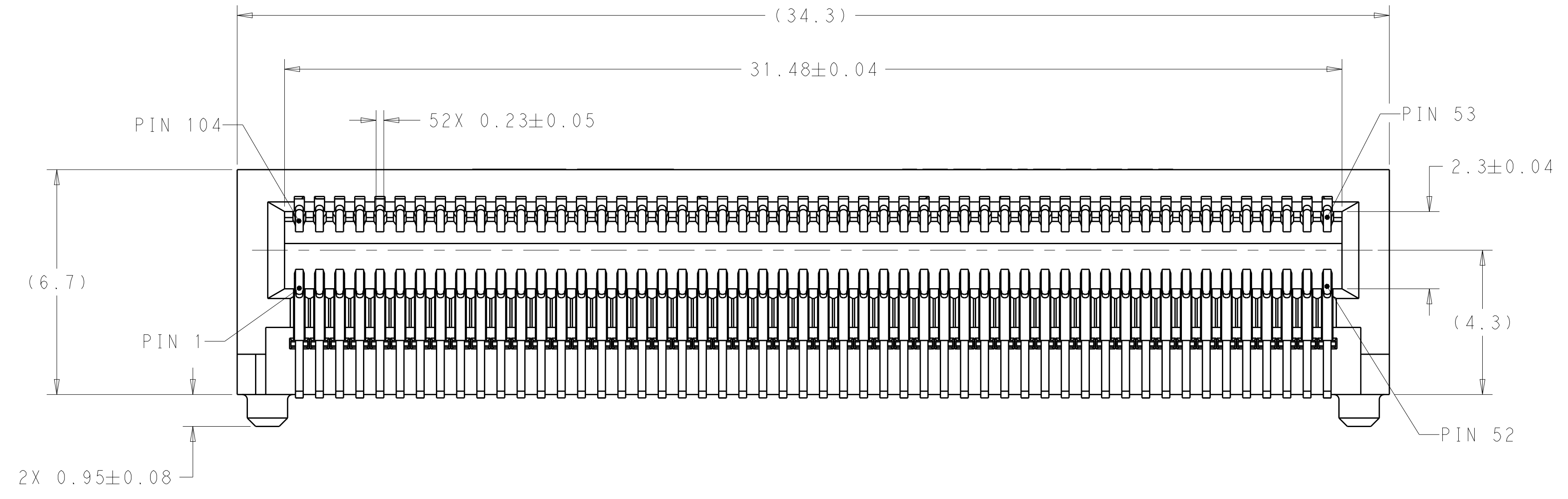


REVISIONS				
P.	LTN.	DESCRIPTION	DATE	APVD.
A		RELEASED PER ECO-18-005803	25APR2018	MS JW



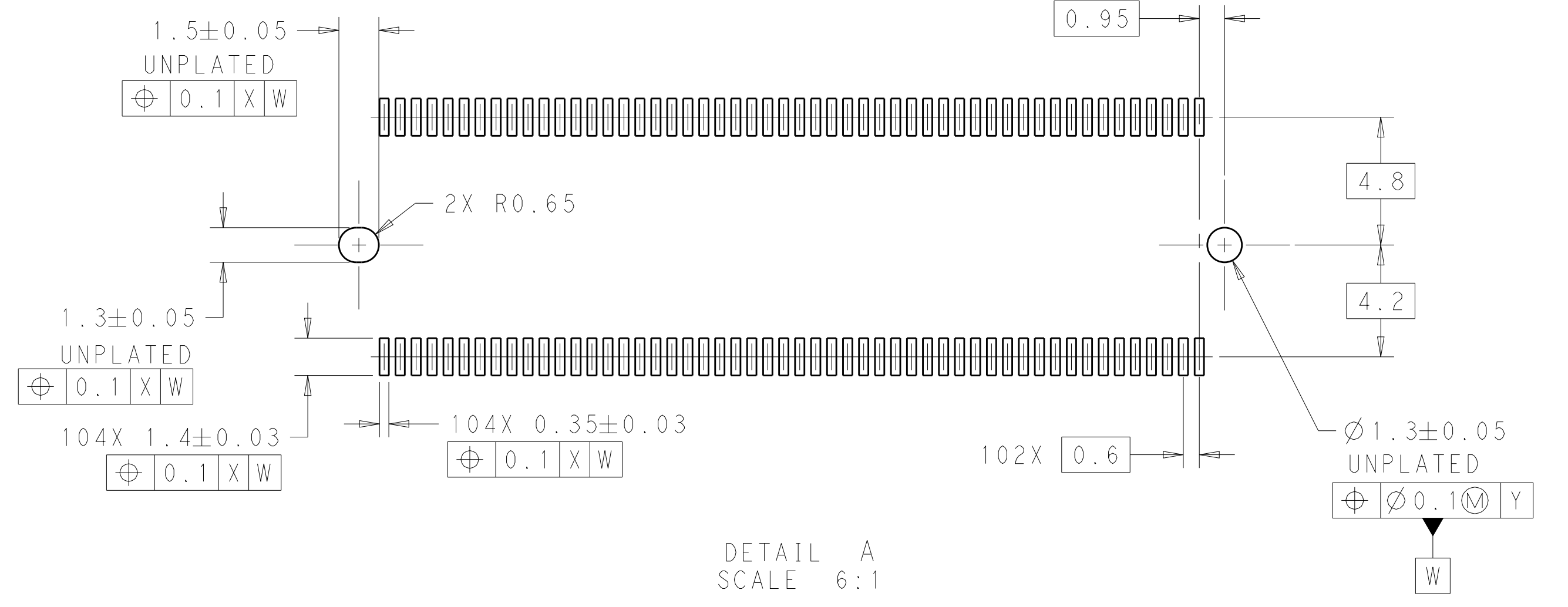
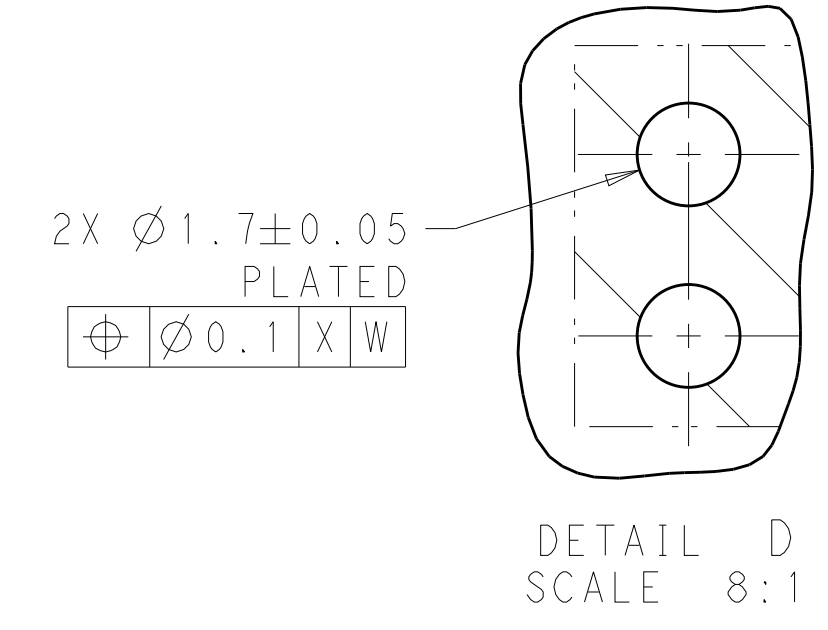
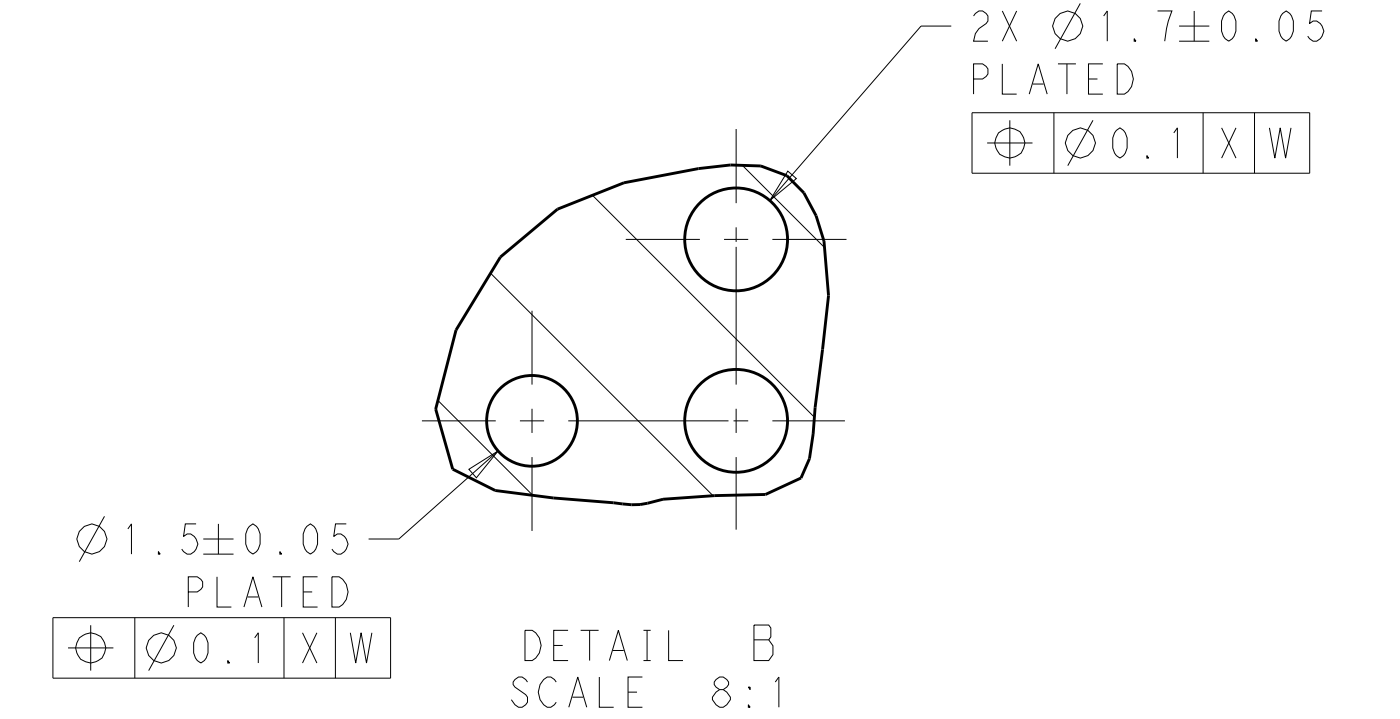
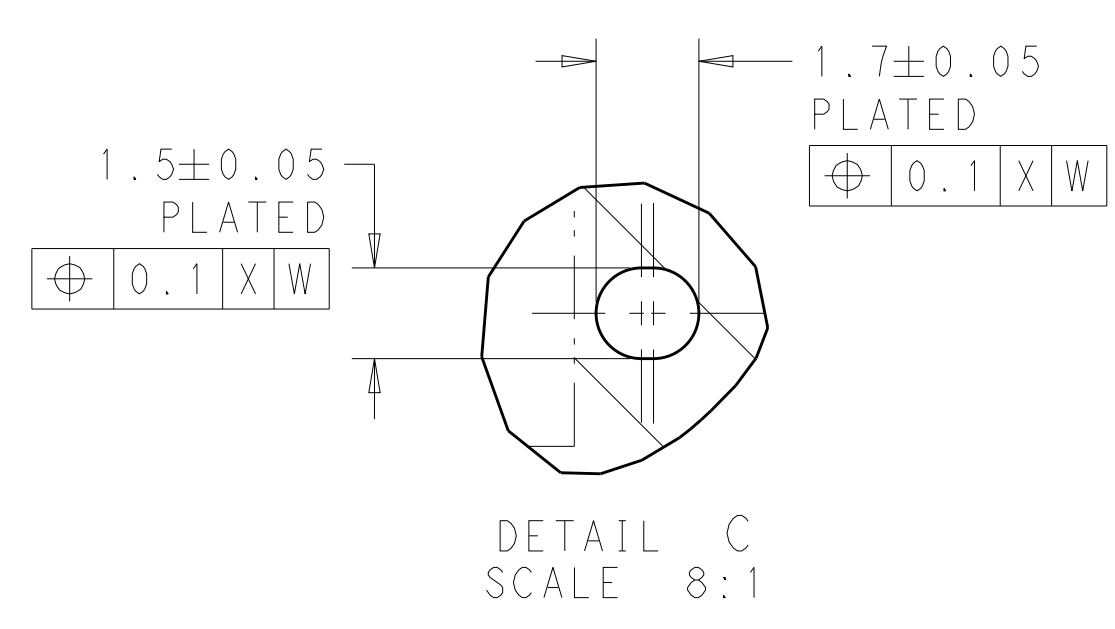
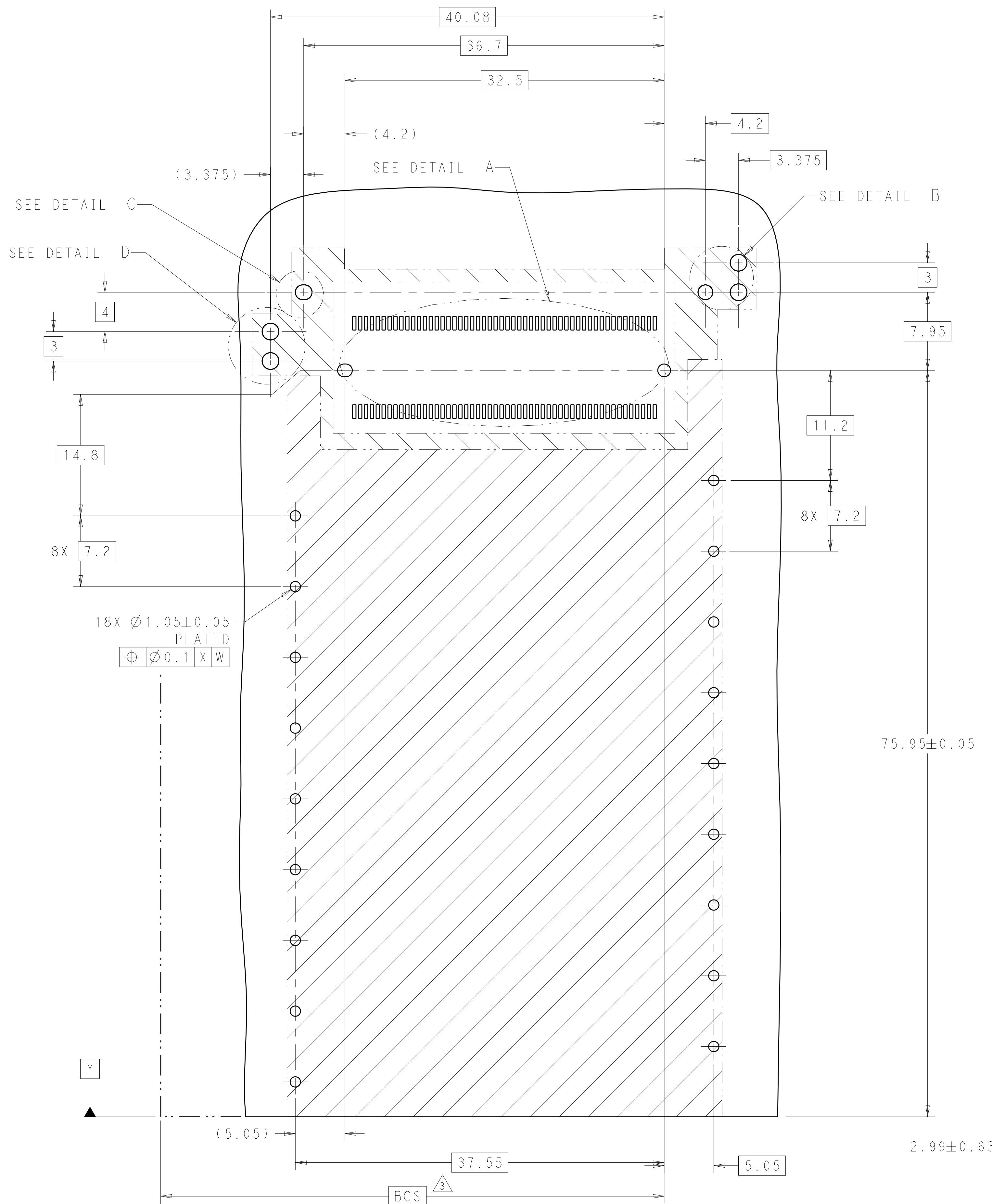
- ⚠ MATERIALS:
 HOUSING- POLYESTER LCP. UL 94V-0
 SIGNAL CONTACT- COPPER ALLOY.
 GROUND CONTACT- COPPER ALLOY.
- ⚠ CONTACT FINISH: CONFORMS TO THE REQUIREMENTS OF TE PRODUCT SPECIFICATION 108-XXXX, BASED ON EIA/ECA-364-1000.01A, (CONTROLLED ENVIRONMENT APPLICATIONS) ON MATING INTERFACE, GOLD FLASH ON SOLDER TAIL.
- ⚠ DATUM AND BASIC DIMENSION ESTABLISHED BY CUSTOMER.
- ⚠ PART NUMBER AND DATE CODE MARKED IN APPROXIMATE AREA SHOWN.
- ⚠ MANUFACTURER'S LOGO APPROXIMATELY AS SHOWN.



2274845-1
 PART NUMBER

THIS DRAWING IS A CONTROLLED DOCUMENT.		DWN: B. MATTHEWS 04DEC2014	TE Connectivity NAME: CONNECTOR ASSEMBLY, RECEPTACLE, CFP2
DIMENSIONS:		CHK: M. SCHMITT 04DEC2014	
TOLERANCES UNLESS OTHERWISE SPECIFIED:		APVD: M. SCHMITT 04DEC2014	SIZE: A1
mm	0 PLC ±0.1	PRODUCT SPEC	CAGE CODE: 2274845
	1 PLC ±0.1	APPLICATION SPEC	SCALE: 10:1
	2 PLC ±0.1	WEIGHT	SHEET 1 OF 3
	3 PLC ±	CUSTOMER DRAWING	REV A
	4 PLC ±		
	ANGLES		
	FINISH		

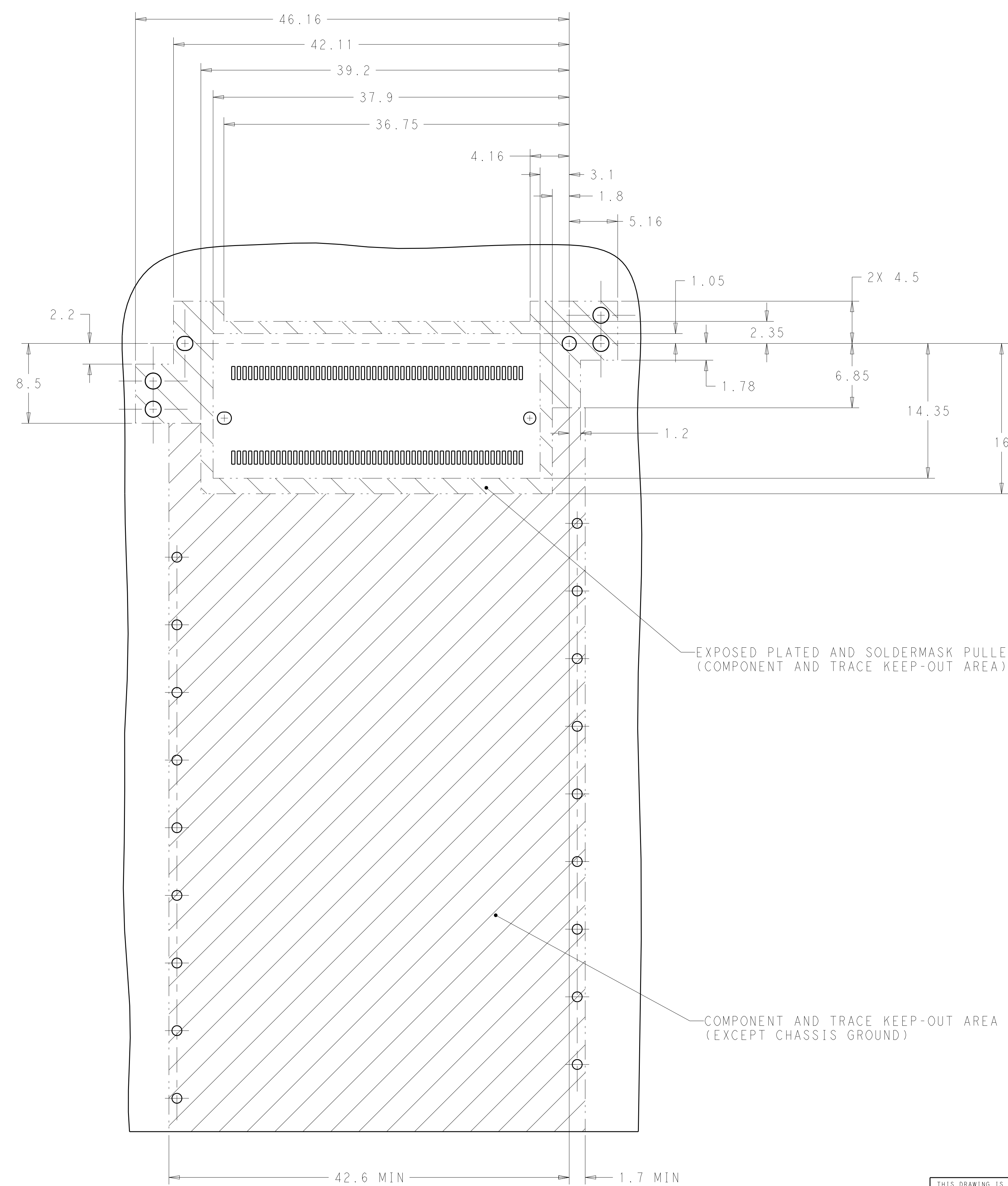
REVISIONS				
P.	LTN.	DESCRIPTION	DATE	APVD.
-	-	SEE SHEET 1	-	-



RECOMMENDED PCB LAYOUT
 SCALE 4:1
 SINGLE SIDED APPLICATION
 1X1 CONFIGURATION SHOWN

THIS DRAWING IS A CONTROLLED DOCUMENT.		OWN: B. MATTHEWS 04DEC2014	TE Connectivity
DIMENSIONS: mm		CHK: M. SCHMITT 04DEC2014	
TOLERANCES UNLESS OTHERWISE SPECIFIED:		APVD: M. SCHMITT 04DEC2014	NAME: CONNECTOR ASSEMBLY, RECEPTACLE, CFP2
0 PLC ±0.1	1 PLC ±0.1	PRODUCT SPEC	SIZE: CAGE CODE DRAWING NO
2 PLC ±0.1	3 PLC ±0.1	APPLICATION SPEC	A100779C=2274845
4 PLC ±	ANGLES ±	WEIGHT	RESTRICTED TO
MATERIAL	FINISH	CUSTOMER DRAWING	SCALE 10:1 SHEET 2 OF 3 REV A

REVISIONS				
P.	LTN	DESCRIPTION	DATE	APVD
-	SEE SHEET 1			



EXPOSED PLATED AND SOLDERMASK PULLED BACK
(COMPONENT AND TRACE KEEP-OUT AREA)

COMPONENT AND TRACE KEEP-OUT AREA
(EXCEPT CHASSIS GROUND)

SCALE 4:1

THIS DRAWING IS A CONTROLLED DOCUMENT.		DWN B. MATTHEWS 04DEC2014	TE Connectivity
DIMENSIONS: mm		CHK M. SCHMITT 04DEC2014	
		APVD M. SCHMITT 04DEC2014	NAME CONNECTOR ASSEMBLY, RECEPTACLE, CFP2
TOLERANCES UNLESS OTHERWISE SPECIFIED:		PRODUCT SPEC	SIZE A100779
0 PLC ±0.1		APPLICATION SPEC	CAGE CODE C=2274845
1 PLC ±0.1		WEIGHT	RESTRICTED TO
2 PLC ±0.1		CUSTOMER DRAWING	SCALE 10:1 SHEET 3 OF 3 REV A
3 PLC ±			
4 PLC ±			
ANGLES			
FINISH			