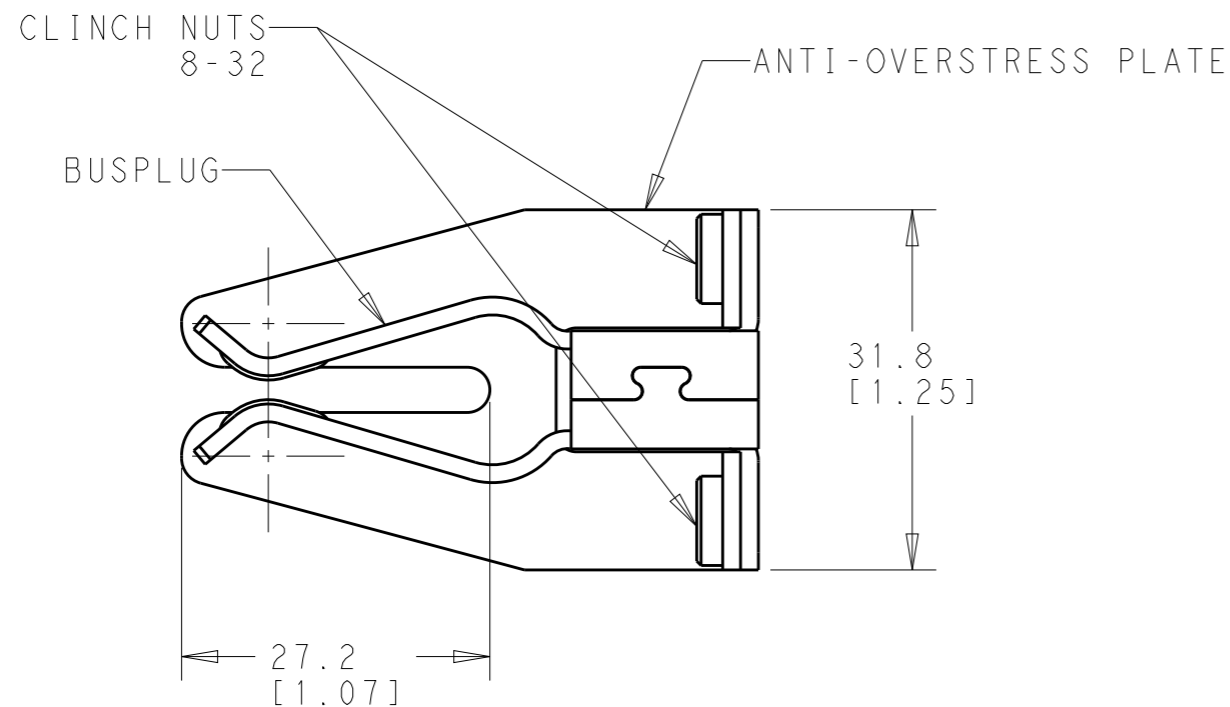
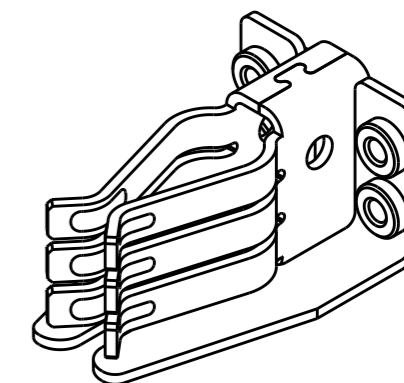
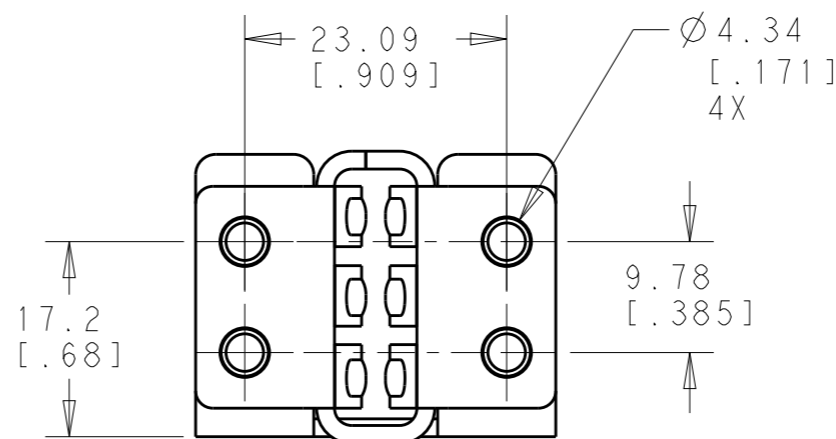
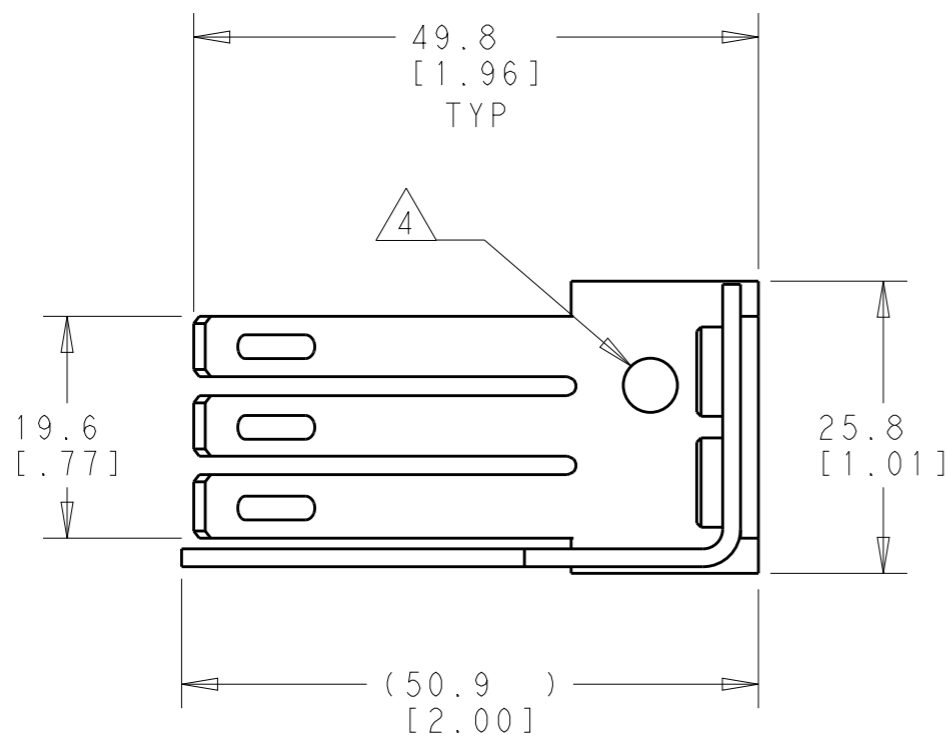


THIS DRAWING IS UNPUBLISHED. RELEASED FOR PUBLICATION 20
 © COPYRIGHT 20 BY - ALL RIGHTS RESERVED.

LOC	DIST	REVISIONS			
P	LTR	DESCRIPTION	DATE	DWN	APVD
-	-	1	PROPOSED	18APR2012	WS DO
-	-	2	ADDED TABLE	08NOV2012	SW DO
-	-	3	MODIFIED SHEET TOLERANCES	19DEC2012	SW DO
-	-	4	REVISED	27JAN2014	ML SZ



- 1 ANTI-OVERSTRESS PLATE AND CLINCH NUTS: STAINLESS STEEL
BUSPLUG: COPPER ALLOY.
- 2 BUSPLUG: 6.35 MICROMETERS [.000250] MIN SILVER OVER
1.27 MICROMETERS [.000050] MIN NICKEL.
- 3. ALL DIMENSIONS ARE REFERENCE DIMENSIONS ONLY.
- 4 PART MAY HAVE HOLE IN THIS LOCATION, ON BOTH SIDES.



SCALE 1:1

2212011-1
 PART NUMBER

THIS DRAWING IS A CONTROLLED DOCUMENT.		DWN WJ SOURBEER 18APR2012	TE Connectivity	
DIMENSIONS: mm [INCHES]		CHK D. ORRIS 18APR2012		
		APVD -	NAME ASSEMBLY, CONNECTOR, SELF CLINCHING NUTS AND ANTI-OVERSTRESS PLATE	
TOLERANCES UNLESS OTHERWISE SPECIFIED:		PRODUCT SPEC 108-1101	RESTRICTED TO	
0 PLC ±- 1 PLC ±0.9 2 PLC ±0.25 3 PLC ±- 4 PLC ±- ANGLES ±-		APPLICATION SPEC 114-2111	SIZE A3	CAGE CODE 00779
MATERIAL 1	FINISH 2	WEIGHT -	DRAWING NO C-2212011	SCALE 3/2
CUSTOMER DRAWING		SHEET 1 OF 1		REV 4