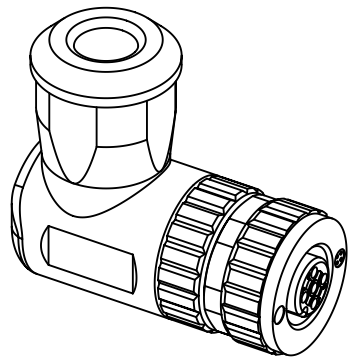

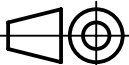


conductor cross section	1.5mm ² max. AWG16
cable outside diameter	4 - 8mm



	 All Dimensions in mm Original Size DIN A4	Scale 2:1	Free size tol.			Ref.	
	All rights reserved Department EC PD - DE	Created by EISFELD	Inspected by WELLMANN	Standardisation KOHLER	Date 2015-05-11	State Final Release	Sub.
HARTING Electronics GmbH D-32339 Espelkamp		Title HARTING M12 screw angled 5-pole A-coded female				Doc-Key / ECM-Nr. 100619634/UGD/000/A 500000088343	
		Type TB	Number 21033194501			Rev. A	Page 1/1