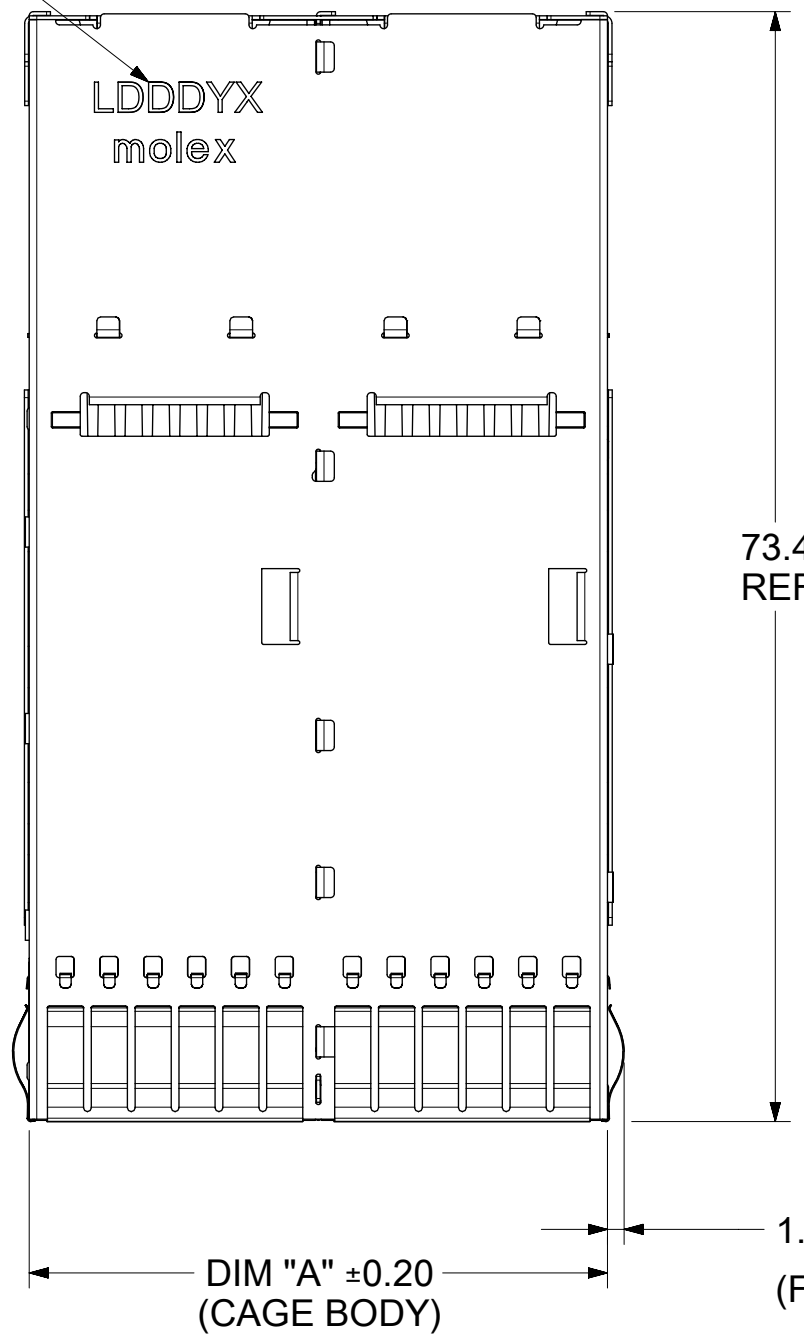
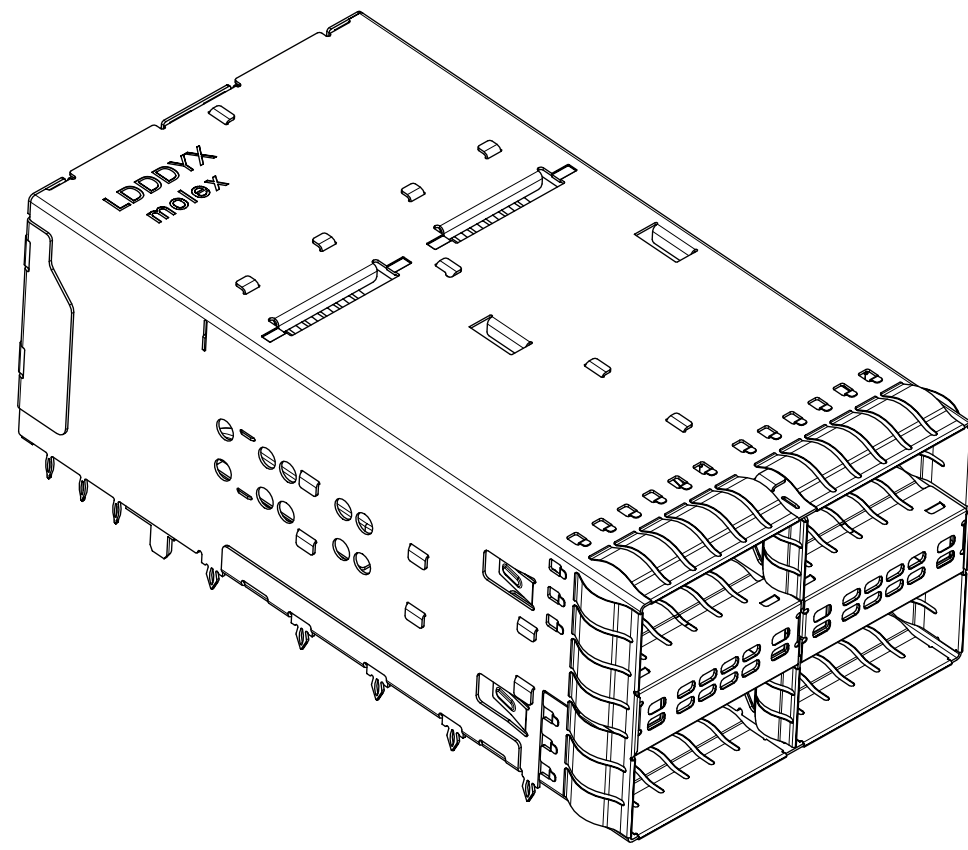


1717222001 SHOWN

DATE CODE,
FOR ALL VIEW.



NOTES:

1. MATERIAL:

- CAGE: COPPER ALLOY, 0.25 THICK
- EMI STRAPS: COPPER ALLOY, 0.10 THICK
- LIGHT PIPES: POLYCARBONATE
(PER TELCORDIA-GR-63-CORE-ISSUE3, SECTION 4.2.3.1; R4-43,
DISCRETE STRUCTURAL COMPONENTS CONSTITUTING A FUEL
LOAD OF 1 GRAM OR LESS ARE EXEMPT FROM THE REQUIREMENTS
OF R4-43 (91); UL 94V-0 RATING)
- INSULATION SHEET: POLYIMIDE FILM TAPE, THICKNESS 0.05±0.01MM.
- COLOR : AMBER OR EQUIVALENT.
- CONNECTOR HOUSING: HIGH PERFORMANCE THERMOPLASTIC, 94V-0
- TERMINALS: HIGH PERFORMANCE COPPER ALLOY, 0.18 THICK

2. FINISH:

- SPRING FINGERS: 0.5µm MIN. NICKEL OVERALL
- TERMINALS: CONTACT AREA: 0.76µm MIN GOLD OVER 0.5µm MIN NICKEL.
- COMPLIANT AREA: 0.76-1.52µm MATTE TIN OVER 1.3µm MIN NICKEL.

3. ALL SURFACES TO BE CLASS 'C' OR BETTER PER MOLEX COSMETIC SPECIFICATION PS-45499-002.

4. REFER TO PK-76871-9001 FOR ALL PACKAGING SPECIFICATIONS.

5. CONNECTOR INTENDED TO MATE WITH PLUG CABLE SERIES 74757 AND 74758.

6. DATE CODE LOCATION SHOWN, DATE CODE FORMAT: LDDDYX

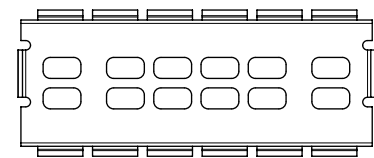
L: MOLEX INTERNAL CONTROL

DDD: DAY OF THE YEAR

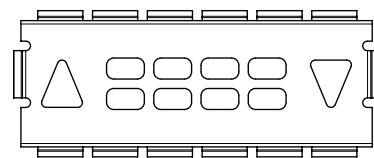
Y: LAST DIGIT OF YEAR

X: MOLEX INTERNAL CONTROL

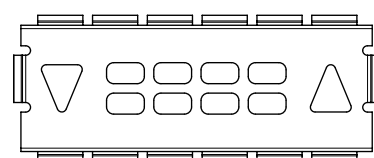
FRONT PLATE OPTIONS



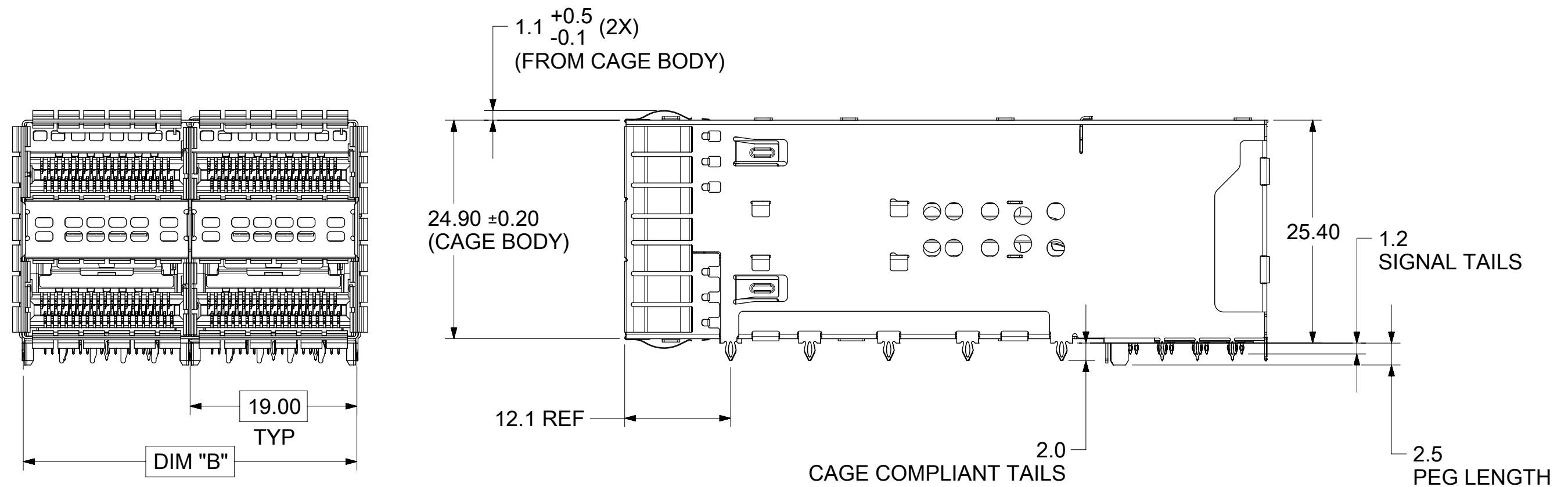
P/N 171722-*001/171722-1004
AIRFLOW ONLY
NO LIGHTPIPE



P/N 171722-*002/171722-1005
UP/DOWN LIGHTPIPE INDICATOR



P/N 171722-*003
DOWN/UP LIGHTPIPE INDICATOR



PORT SIZE	PART NUMBER	INSULATION SHEET	DIM 'A'	DIM 'B'
2X1	171722-1001/2/3	NO	19.25	19.00
2X1	171722-1004/1005	YES	19.25	19.00
2X2	171722-2001/2/3	NO	38.25	38.00
2X3	171722-3001/2/3	NO	57.25	57.00

* - DESIGNATES FRONT PLATE OPTIONS

FUNCTIONAL SYMBOLS	THIS DRAWING CONTAINS INFORMATION THAT IS PROPRIETARY TO MOLEX ELECTRONIC TECHNOLOGIES, LLC AND SHOULD NOT BE USED WITHOUT WRITTEN PERMISSION		
	DIMENSION UNITS	SCALE	CURRENT REV DESC: SEE REVISION TABLE.
$\nabla_A = 0$	mm	2:1	<p>EC NO: 721228</p> <p>DRWN: DSHETTY01 2022/05/13</p> <p>CHK'D: WAYNEL 2022/09/14</p> <p>APPR: SYANG16 2022/09/15</p> <p>INITIAL REVISION:</p> <p>DRWN: JLIN47 2021/09/24</p> <p>APPR: SYANG16 2021/12/07</p>
$\nabla_E = 0$	GENERAL TOLERANCES (UNLESS SPECIFIED)		
$\nabla_P = 0$	ANGULAR TOL ± 0.5°		
DIVISIONAL SYMBOLS	4 PLACES ±	3 PLACES ±	
	2 PLACES ± 0.13	1 PLACE ± 0.25	
	0 PLACES ±		
DRAFT WHERE APPLICABLE MUST REMAIN WITHIN DIMENSIONS		THIRD ANGLE PROJECTION	DRAWING C-SIZE
		SERIES 171722	MATERIAL NUMBER SEE P/N TABLE
		CUSTOMER GENERAL MARKET	SHEET NUMBER 1 OF 5

molex

ZQSFP+ STACKED CONNECTOR
WITH EMI SPRING FINGER

PRODUCT CUSTOMER DRAWING

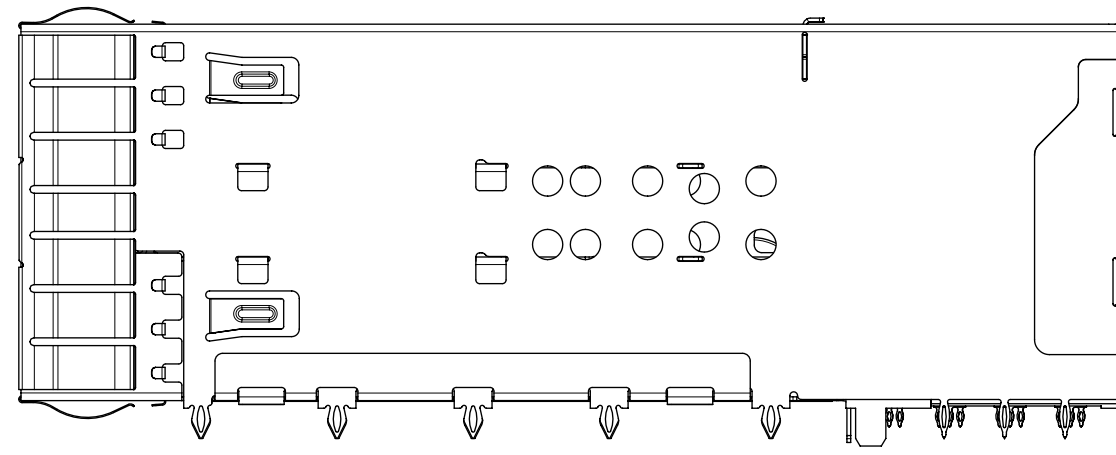
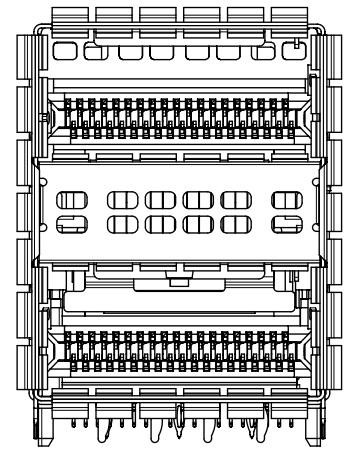
DOCUMENT NUMBER 1717222000 DOC TYPE PSD DOC PART ASY REVISION B6

1717222000 PSD ASY B6

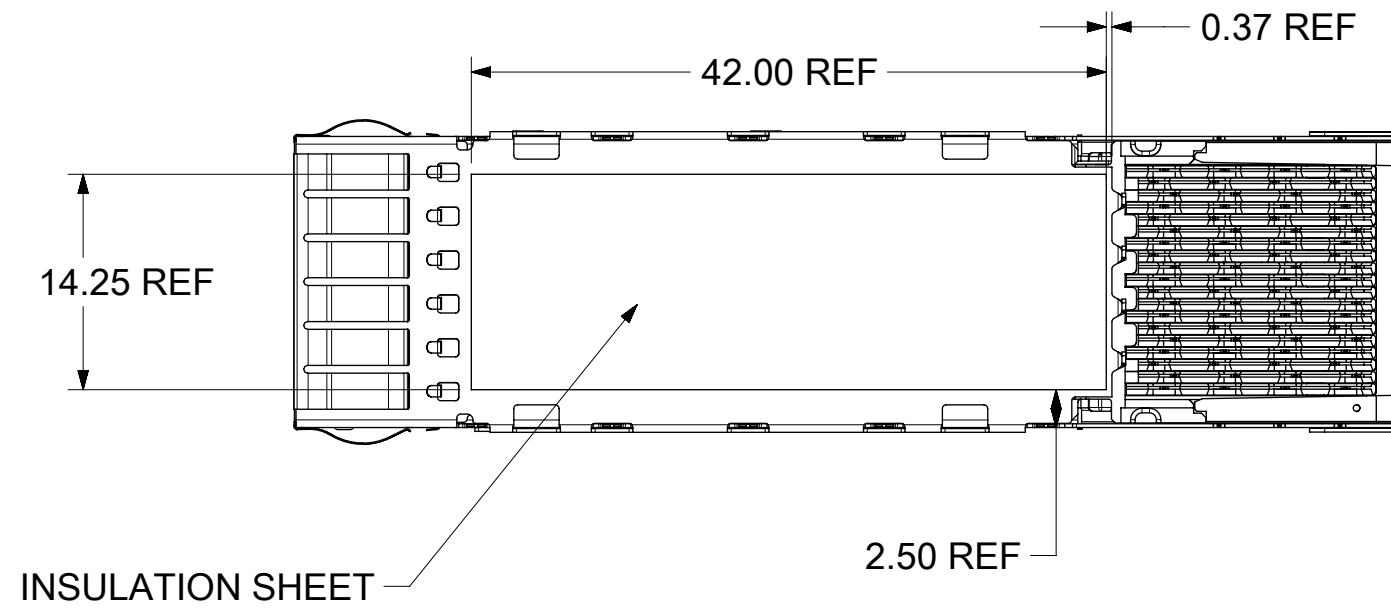
SEE P/N TABLE GENERAL MARKET 1 OF 5

171722 GENERAL MARKET 1 OF 5

1717221004 SHOWN



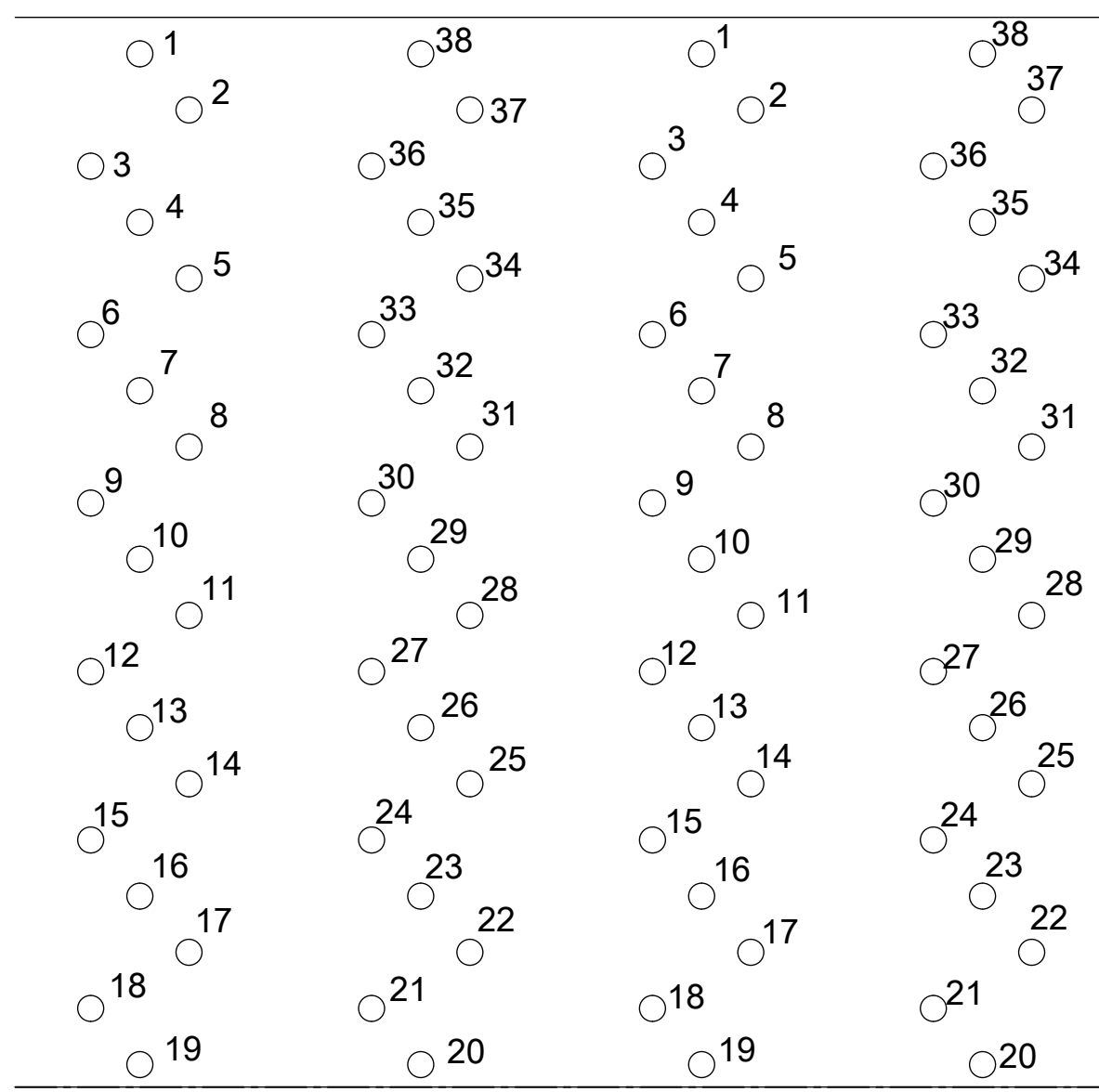
LOCATION OF INSULATION SHEET



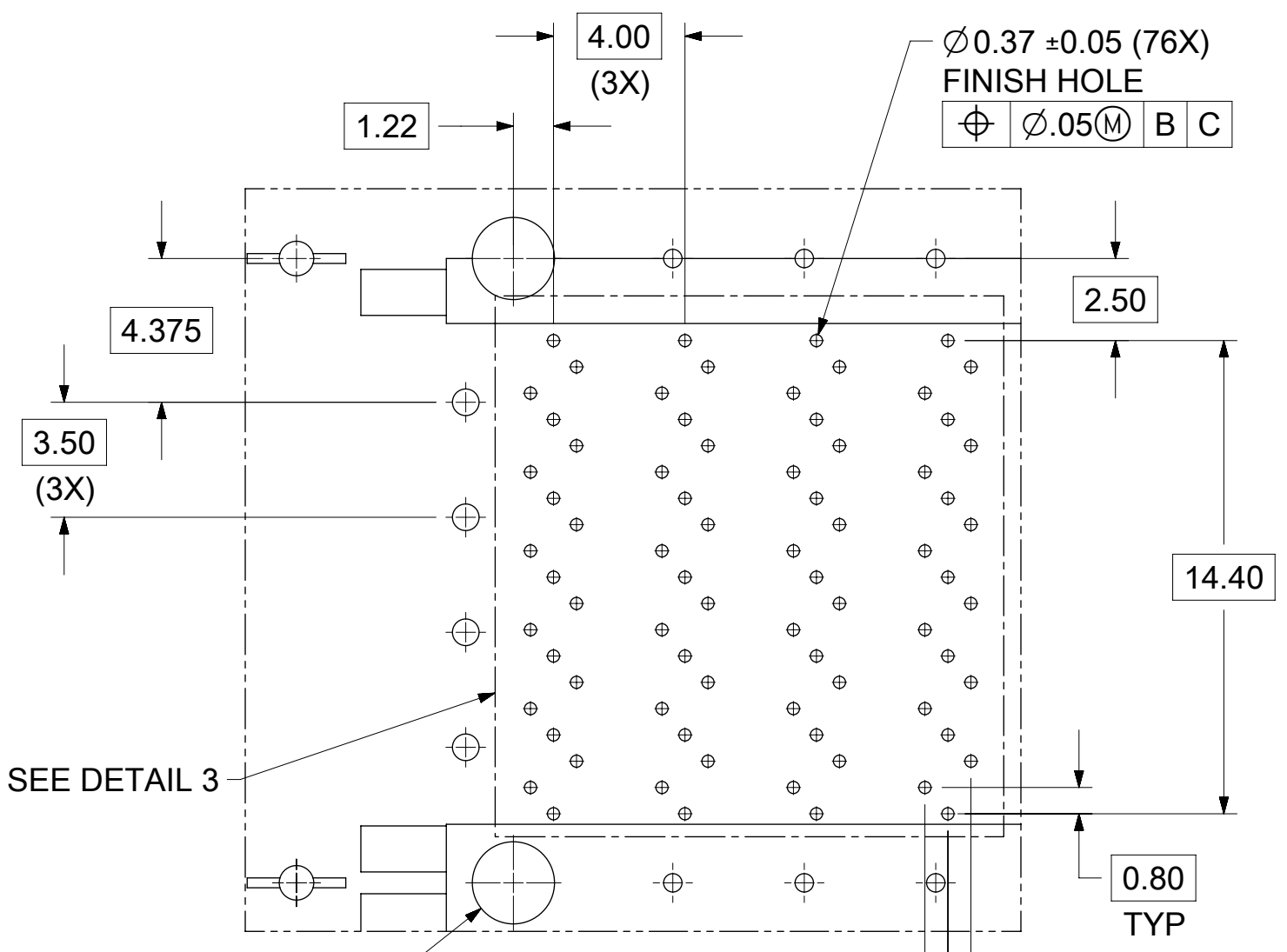
1. THIS SHEET SHOWS COMMON DIMENSIONS FOR 1717221004 AND 1717221005.

FUNCTIONAL SYMBOLS	THIS DRAWING CONTAINS INFORMATION THAT IS PROPRIETARY TO MOLEX ELECTRONIC TECHNOLOGIES, LLC AND SHOULD NOT BE USED WITHOUT WRITTEN PERMISSION										
DIMENSION UNITS	SCALE		CURRENT REV DESC: SEE REVISION TABLE.								
mm	2:1										
GENERAL TOLERANCES (UNLESS SPECIFIED)	EC NO: 721228										
ANGULAR TOL ± 0.5°	DRWN: DSHETTY01 2022/05/13										
4 PLACES ±	CHK'D: WAYNEL 2022/09/14										
3 PLACES ±	APPR: SYANG16 2022/09/15										
DIVISIONAL SYMBOLS	INITIAL REVISION:										
2 PLACES ± 0.13	DRWN: JLIN47 2021/09/24										
1 PLACE ± 0.25	APPR: SYANG16 2021/12/07										
0 PLACES ±	DOCUMENT NUMBER										
DRAFT WHERE APPLICABLE MUST REMAIN WITHIN DIMENSIONS	THIRD ANGLE PROJECTION		DRAWING		SERIES		MATERIAL NUMBER		CUSTOMER		SHEET NUMBER
			C-SIZE		171722		1717222000		GENERAL MARKET		2 OF 5

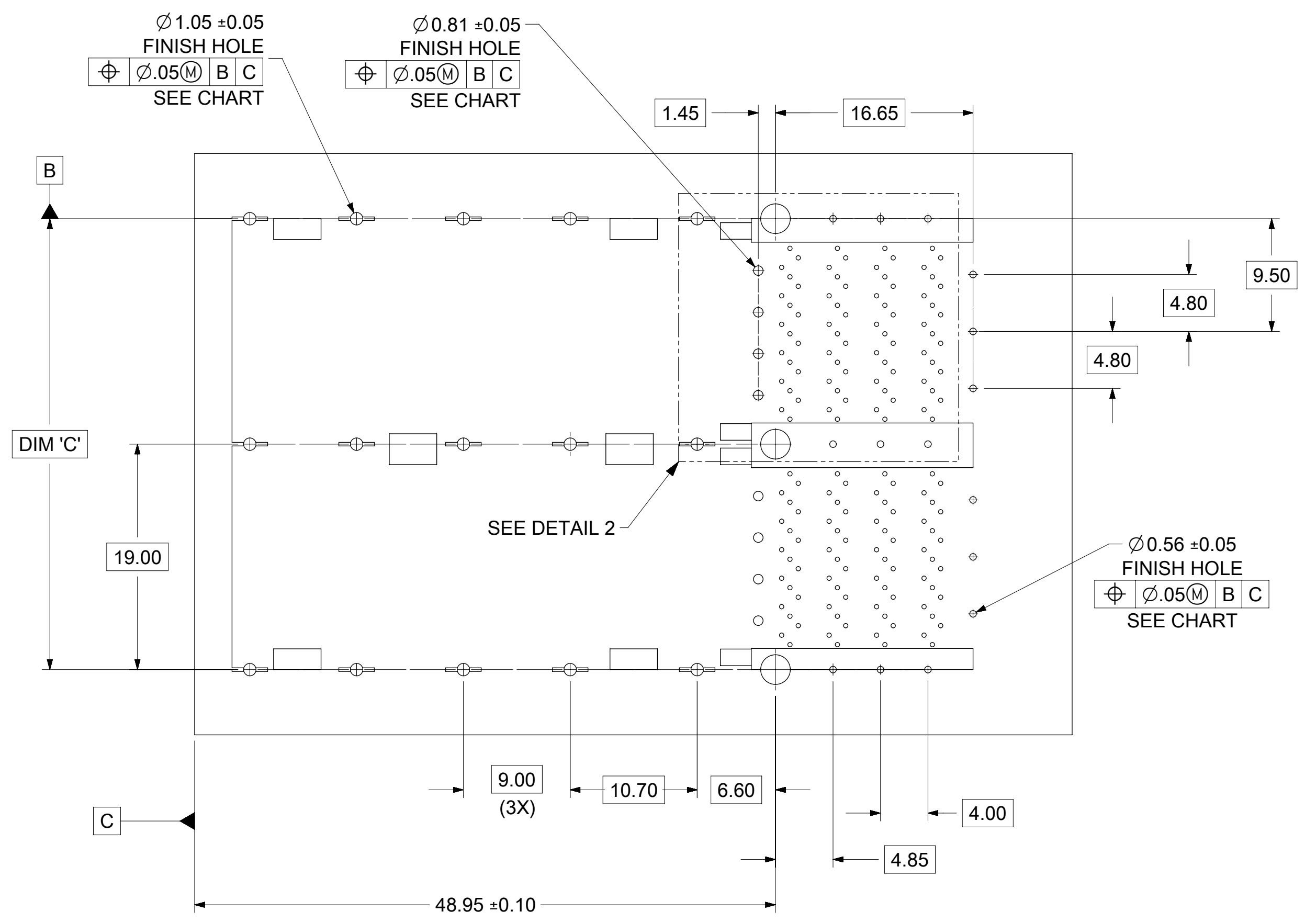
DOCUMENT STATUS	P1	RELEASE DATE	2022/09/15 02:04:17
-----------------	----	--------------	---------------------



DETAIL 3
LOWER PORT PIN ASSIGNMENTS UPPER PORT

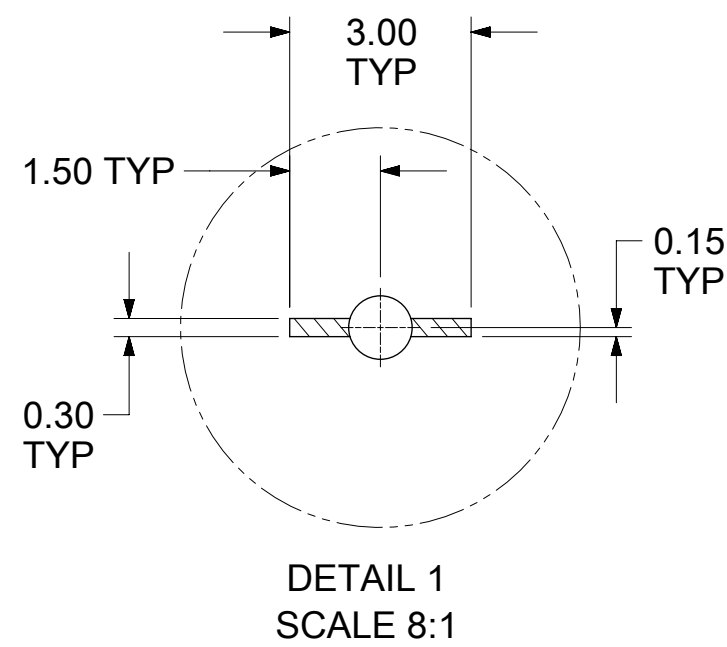
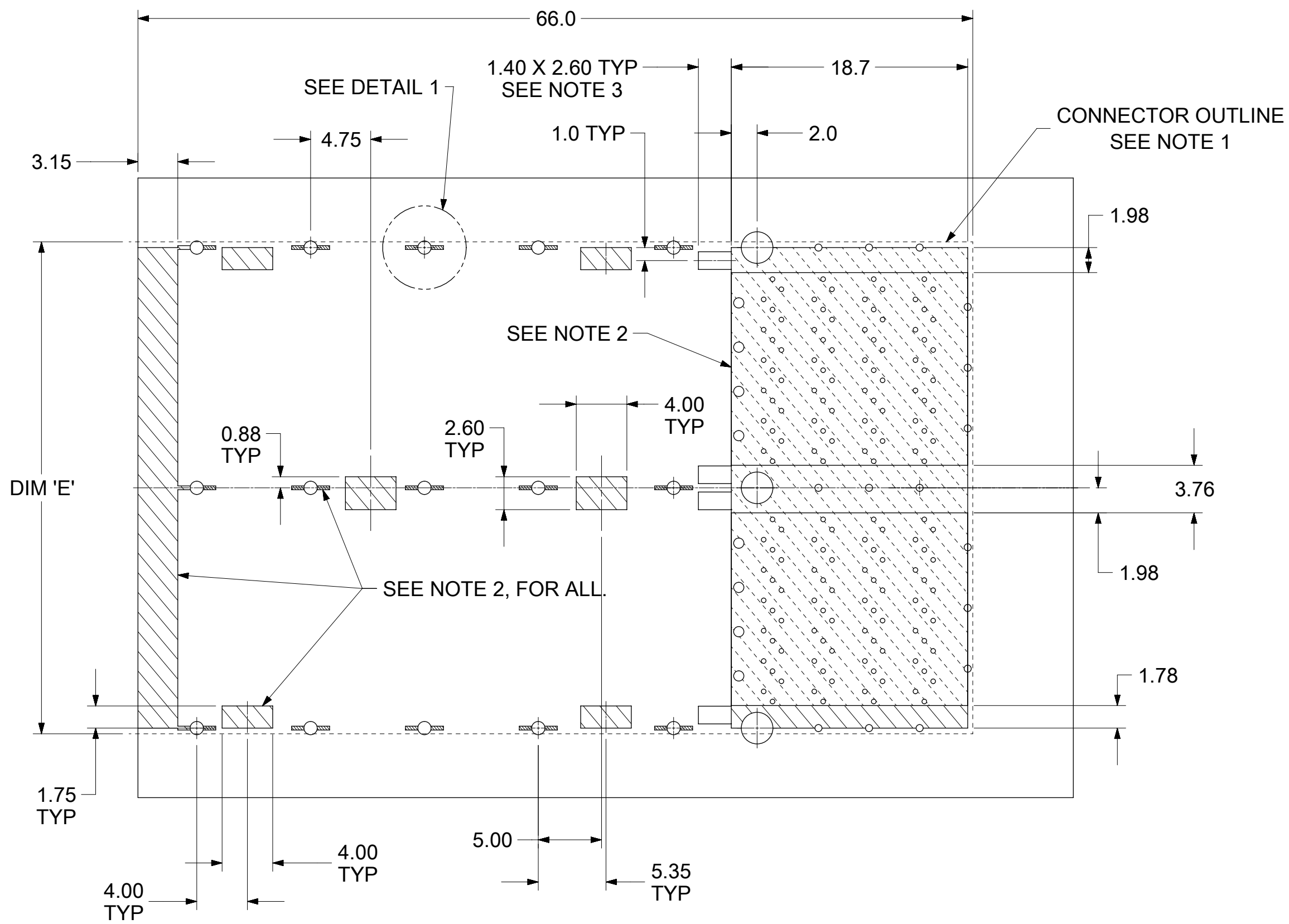


DETAIL 2
SCALE 5:1

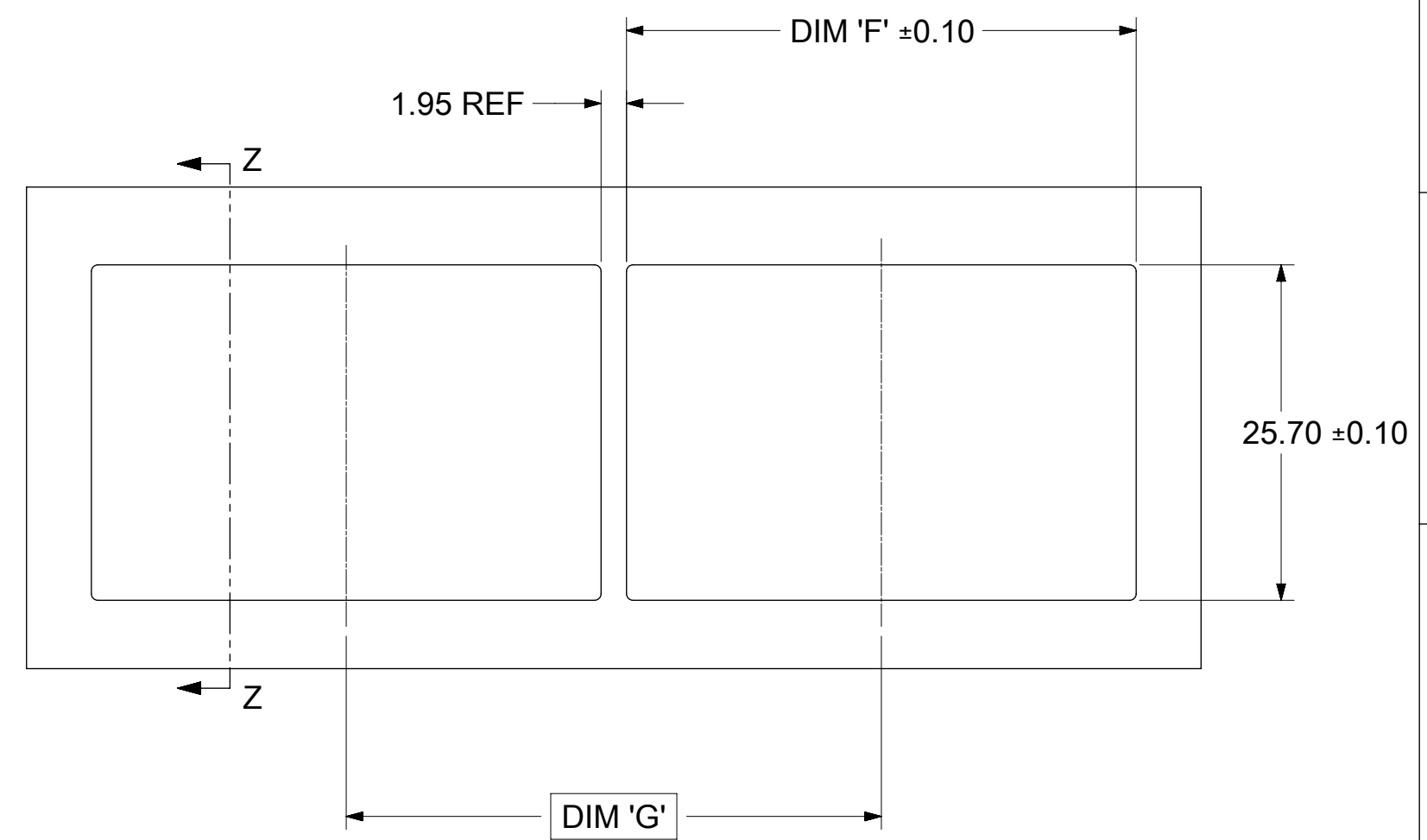


PORT SIZE	DIM 'C'	1.05Ø QUANTITY	0.56Ø QUANTITY	0.81Ø QUANTITY
2X1	19.00	10	9	4
2X2	38.00	15	15	8
2X3	57.00	20	21	12

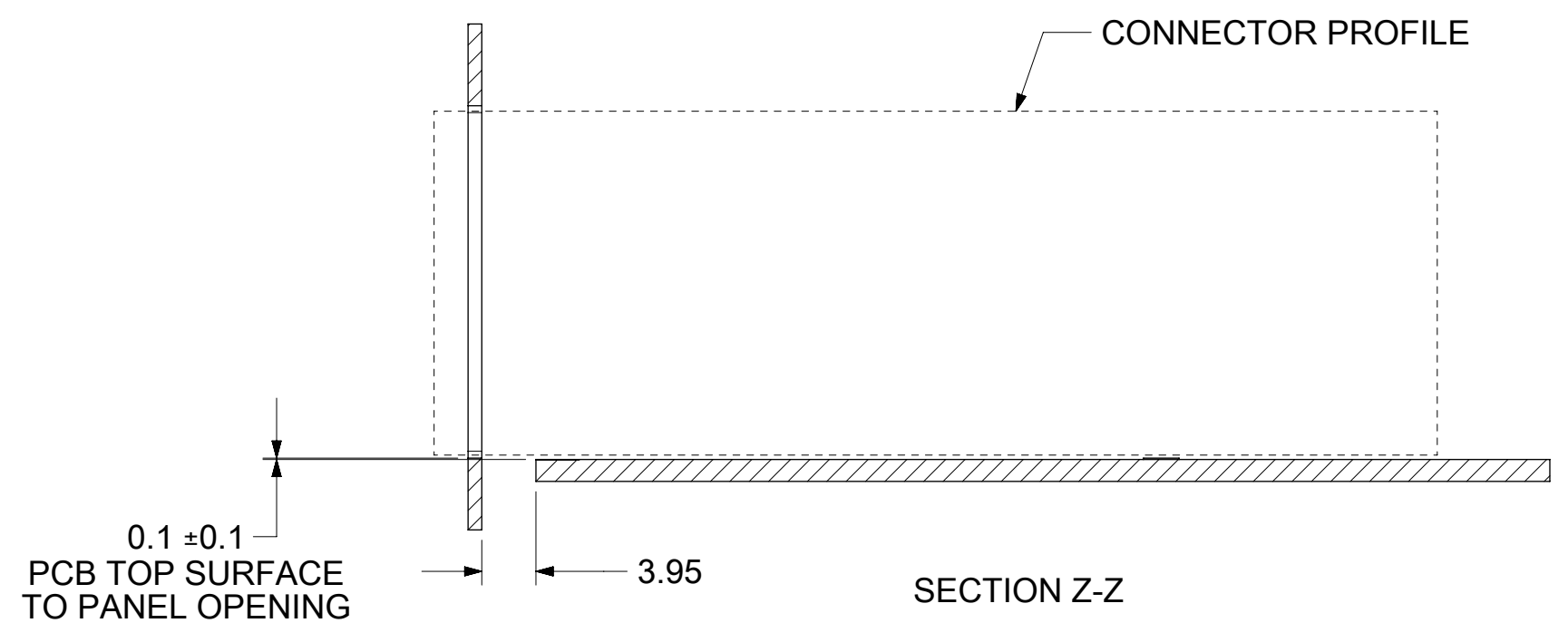
FUNCTIONAL SYMBOLS $\nabla_A = 0$ $\nabla_C = 0$ $\nabla_P = 0$	THIS DRAWING CONTAINS INFORMATION THAT IS PROPRIETARY TO MOLEX ELECTRONIC TECHNOLOGIES, LLC AND SHOULD NOT BE USED WITHOUT WRITTEN PERMISSION		CURRENT REV DESC: SEE REVISION TABLE.				
	DIMENSION UNITS	SCALE	 ZQSFP+ STACKED CONNECTOR WITH EMI SPRING FINGER PRODUCT CUSTOMER DRAWING				
	mm	3:1					
	GENERAL TOLERANCES (UNLESS SPECIFIED)						
ANGULAR TOL ± 0.5°							
DIVISIONAL SYMBOLS 4 PLACES ± 3 PLACES ± 2 PLACES ± 0.13 1 PLACE ± 0.25 0 PLACES ±	EC NO: 721228		2022/05/13	DOCUMENT NUMBER 1717222000			
	DRWN: DSHETTY01		2022/09/14				
	CHK'D: WAYNEL		2022/09/15				
	APPR: SYANG16						
DRAFT WHERE APPLICABLE MUST REMAIN WITHIN DIMENSIONS		THIRD ANGLE PROJECTION	DRAWING	SERIES	MATERIAL NUMBER	CUSTOMER	SHEET NUMBER
			C-SIZE	171722	SEE P/N TABLE	GENERAL MARKET	3 OF 5



PANEL OPENING AND CONNECTOR SPACING RECOMMENDATIONS



PORT SIZE	DIM 'E'	DIM 'F'	DIM 'G'
2 X 1	19.9	20.05	22.00
2 X 2	38.9	39.05	41.00
2 X 3	57.9	58.05	60.00


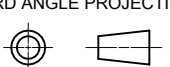


NOTES:

1. THE ENTIRE AREA UNDER THE CONNECTOR IS A KEEP OUT ZONE FOR COMPONENTS AND TRACES, TOP LAYER ONLY, EXCEPT FOR CHASSIS GROUND.
2. CROSS-HATCHED AREAS INDICATE PLACES WHERE THE PLASTIC HOUSING AND METAL CAGE MAY CONTACT PCB SURFACE. THESE AREAS ARE KEEP OUT ZONES. CROSS-HATCHED AREA UNDER THE CONNECTOR ARE TRACE AND VIA KEEP OUT AREAS FOR THE TOP LAYER.
3. THESE 2 RECTANGULAR ZONES ARE FOR LED PLACEMENT. LED HEIGHT SHOULD NOT EXCEED 0.8 AND PLACEMENT SHOULD BE CENTERED WITHIN THIS LED KEEP-IN ZONE.
4. RECOMMENDED LED CHIP PACKAGE SIZE IS 0805.

FUNCTIONAL SYMBOLS	THIS DRAWING CONTAINS INFORMATION THAT IS PROPRIETARY TO MOLEX ELECTRONIC TECHNOLOGIES, LLC AND SHOULD NOT BE USED WITHOUT WRITTEN PERMISSION		
	DIMENSION UNITS	SCALE	CURRENT REV DESC: SEE REVISION TABLE.
$\nabla_A = 0$	mm	2:1	EC NO: 721228 DRWN: DSHETTY01 2022/05/13 CHK'D: WAYNEL 2022/09/14 APPR: SYANG16 2022/09/15
$\nabla_C = 0$	GENERAL TOLERANCES (UNLESS SPECIFIED)		
$\nabla_P = 0$	ANGULAR TOL $\pm 0.5^\circ$		INITIAL REVISION: DRWN: JLIN47 2021/09/24 APPR: SYANG16 2021/12/07
DIVISIONAL SYMBOLS	4 PLACES	\pm	
	3 PLACES	\pm	DOCUMENT NUMBER 1717222000
	2 PLACES	± 0.13	
	1 PLACE	± 0.25	DOC TYPE PSD
	0 PLACES	\pm	DOC PART ASY
DRAFT WHERE APPLICABLE MUST REMAIN WITHIN DIMENSIONS	THIRD ANGLE PROJECTION	DRAWING C-SIZE	SERIES 171722
		MATERIAL NUMBER SEE P/N TABLE	CUSTOMER GENERAL MARKET
			REVISION B6
			SHEET NUMBER 4 OF 5

REVISION HISTORY		
DATE	REV.	DESCRIPTION
2021/09/24	B	REMASTERED DRAWING FROM SD-171722-2000 PSD 001 TO 1717222000 PSD ASY SHEET 1: C07 : CHANGED THE DIMENSION 19.00 REF TO BASIC DIMENSION 19.00 B07 : CHANGED THE DIM B±0.30 TO BASIC DIM B
2021/10/21	B1	ADDED NEW P/N 1717221004 ADDED INSULATION VIEW IN SHEET 2 SHEET 1: A08 : ADDED 1717221004 IN BOM TABLE
2021/11/03	B2	UPDATED DATE CODE OF 1717221002 FROM LDDDYX TO DDDY
2021/12/07	B3	UPDATED DATE CODE OF 1717221002 FROM DDDY TO LDDDYX
2022/01/16	B4	CORRECTED VIEW SHEET 2: G07 : CORRECTED VIEW OF 1717221004
2022/05/12	B5	ADDED P/N 1717221005 TO DRAWING. SHEET 1: A09: ADDED 1717221005 P/N IN TABLE. H05: ADDED MATERIAL DETAILS OF INSULATION SHEET. SHEET 2: A12 : ADDED NOTES "COMMON DIMENSIONS FOR 1717221004 AND 1717221005".
2022/09/13	B6	REMOVED OLD FEATURE ON PCB LAYOUT

FUNCTIONAL SYMBOLS	THIS DRAWING CONTAINS INFORMATION THAT IS PROPRIETARY TO MOLEX ELECTRONIC TECHNOLOGIES, LLC AND SHOULD NOT BE USED WITHOUT WRITTEN PERMISSION													
	DIMENSION UNITS	SCALE	CURRENT REV DESC: SEE REVISION TABLE.											
$\frac{F}{A} = 0$	mm	1:1	EC NO: 721228 DRWN: DSHETTY01 2022/05/13 CHK'D: WAYNEL 2022/09/14 APPR: SYANG16 2022/09/15 INITIAL REVISION: DRWN: JLIN47 2021/09/24 APPR: SYANG16 2021/12/07									PRODUCT CUSTOMER DRAWING		
$\frac{F}{C} = 0$	GENERAL TOLERANCES (UNLESS SPECIFIED)									DOCUMENT NUMBER		DOC TYPE	DOC PART	REVISION
$\frac{F}{P} = 0$	ANGULAR TOL ± 0.5°									1717222000		PSD	ASY	B6
DIVISIONAL SYMBOLS	4 PLACES ±		MATERIAL NUMBER		CUSTOMER		SHEET NUMBER							
	3 PLACES ±		SEE P/N TABLE		GENERAL MARKET		5 OF 5							
	2 PLACES ± 0.13													
	1 PLACE ± 0.25													
	0 PLACES ±													
	DRAFT WHERE APPLICABLE MUST REMAIN WITHIN DIMENSIONS		THIRD ANGLE PROJECTION		DRAWING	SERIES								
					C-SIZE	171722								

DOCUMENT STATUS	P1	RELEASE DATE	2022/09/15 02:04:17
-----------------	----	--------------	---------------------