

CUSTOMER PRINT

PART NUMBER: 16980-XSG-5XX

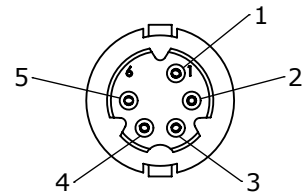
NOTES:  
 1. PARTS ARE TO BE BULK PACKED.  
 2. PARENTHESIS ( ) INDICATE REFERENCE DIMENSION.

ASS'Y P/N	CONTACT QTY.	KEY STYLE
16980-5SG-5XX	5 - #26	A-KEY
16980-6SG-5XX	6 - #26	B-KEY
16980-7SG-5XX	7 - #26	A-KEY

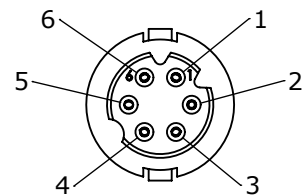
ASS'Y P/N	CABLE O.D.
16980-XSG-518	0.175-0.185
16980-XSG-521	0.205-0.215
16980-XSG-522	0.215-0.225

NUMBER OF CONTACTS

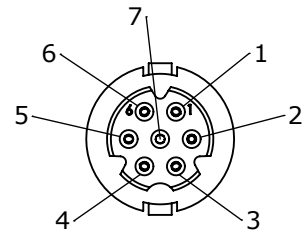
GROMMET SIZE



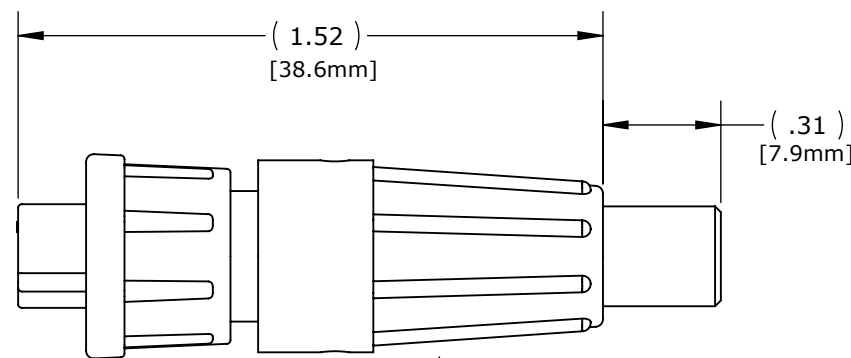
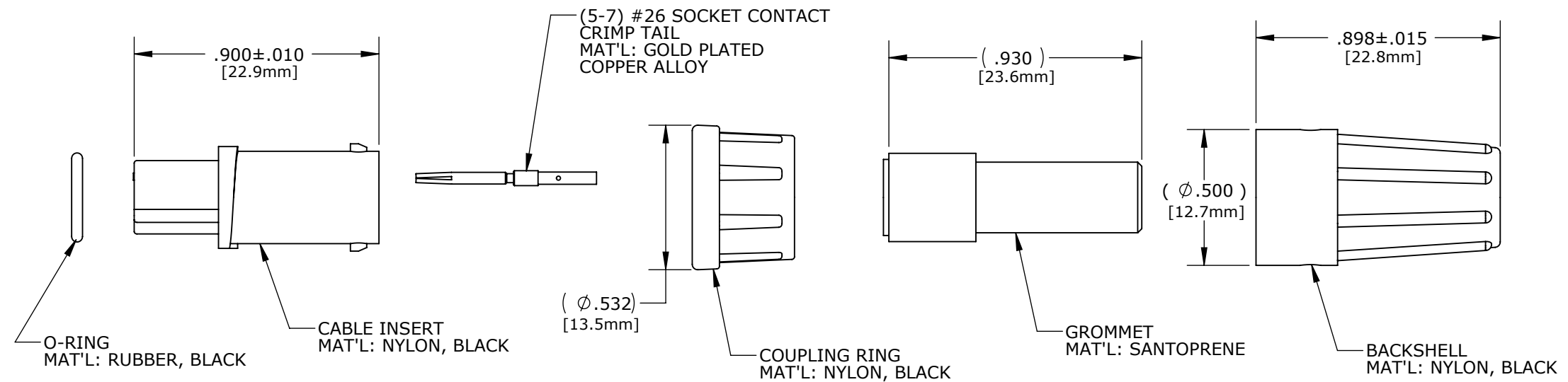
FACE VIEW  
 16980-5SG-5XX  
 5 POSITION  
 A-KEY



FACE VIEW  
 16980-6SG-5XX  
 6 POSITION  
 B-KEY



FACE VIEW  
 16980-7SG-5XX  
 7 POSITION  
 A-KEY



ASSEMBLED KIT VIEW  
 FOR CUSTOMER REFERENCE ONLY

DIMENSIONS IN BRACKET [ ] ARE METRIC.

CUSTOMER APPROVAL

THIS DOCUMENT CONTAINS CONFIDENTIAL INFORMATION PROPRIETARY TO CONXALL CORPORATION. ANY REPRODUCTION, DISCLOSURE, OR USE OF THIS DOCUMENT /INFORMATION IS EXPRESSLY PROHIBITED UNLESS AUTHORIZED IN WRITING BY CONXALL CORPORATION.

APPROVED BY: \_\_\_\_\_  
 DATE: \_\_\_\_\_

**RoHS COMPLIANT**

REV.	INIT.	DATE	DESCRIPTION
B	AN	01-06-12	REMOVED 16980-XSG-3XX, SUPERSEDED DWG. 16980-XSG-XXX, ADDED MATERIALS. PER ECR 8074
A	PAK	08-10-10	DRAWING CREATED PER DOR 06-E168CS

ALL INFORMATION ILLUSTRATED IS THE PROPERTY OF CONXALL CORPORATION. UNAUTHORIZED DUPLICATION OR DISTRIBUTION OF THIS DOCUMENT IS PROHIBITED.		ORIG. DRAWN BY: PAK DATE: 02/11/10 CHECKED BY:	601 E. WILDWOOD VILLA PARK, IL 60181
ALL UNITS ARE IN FEET, INCHES, FRACTION OF INCHES AND DECIMALS. UNLESS OTHERWISE SPECIFIED TOLERANCES: 3 PLACE DECIMALS ±0.010 ANGLES ±1° FRACTIONS ±1/16 - CRITICAL CHARACTERISTIC FLAG PER SPEC. XXXX		APPROVED BY: _____ SCALE: NTS SIZE: B SHEET: 1 OF 1 FILE: 16980-XSG-5XX DIRECTORY: SLW	

REV B