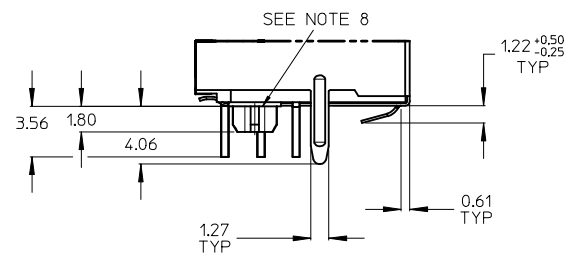
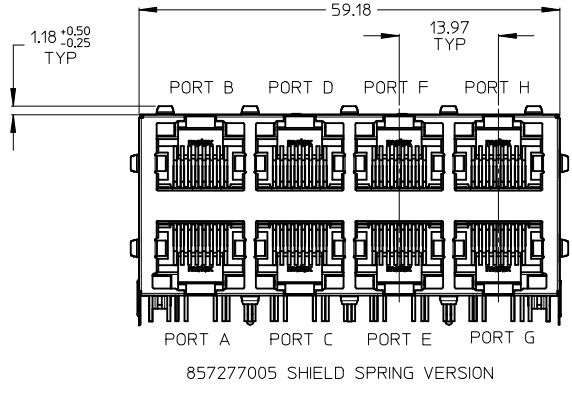
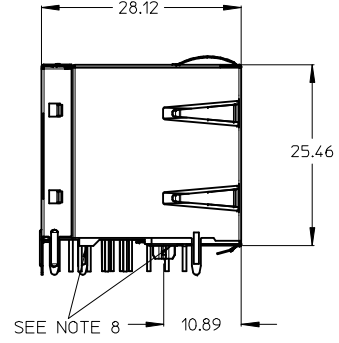
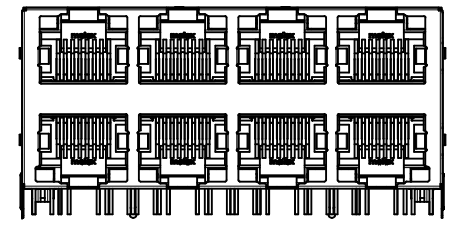
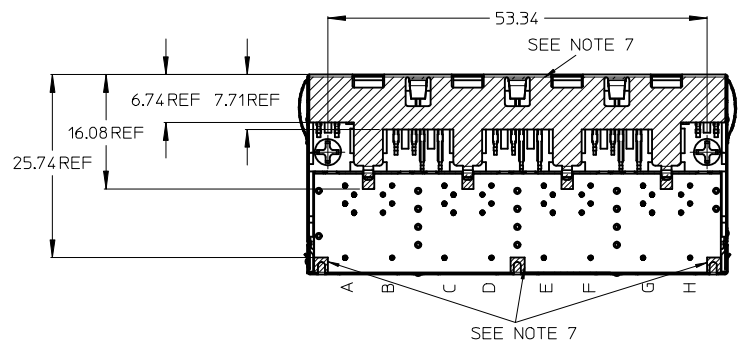


**FAST ETHERNET MAGNETIC JACK 2x4 LED
WITH AND WITHOUT SHIELD SPRINGS
MINIMUM 500V ISOLATION BETWEEN
ETHERNET SIGNALS AND SHIELD**



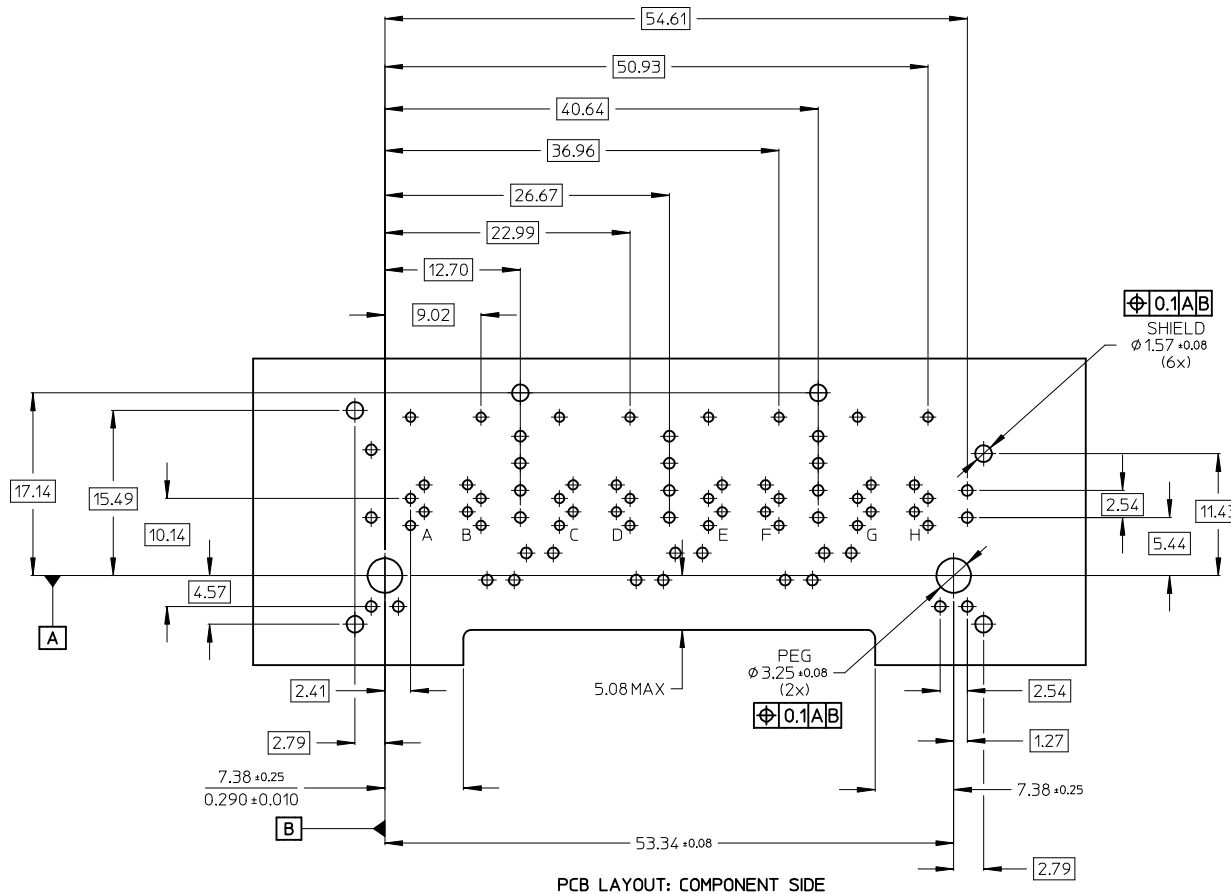
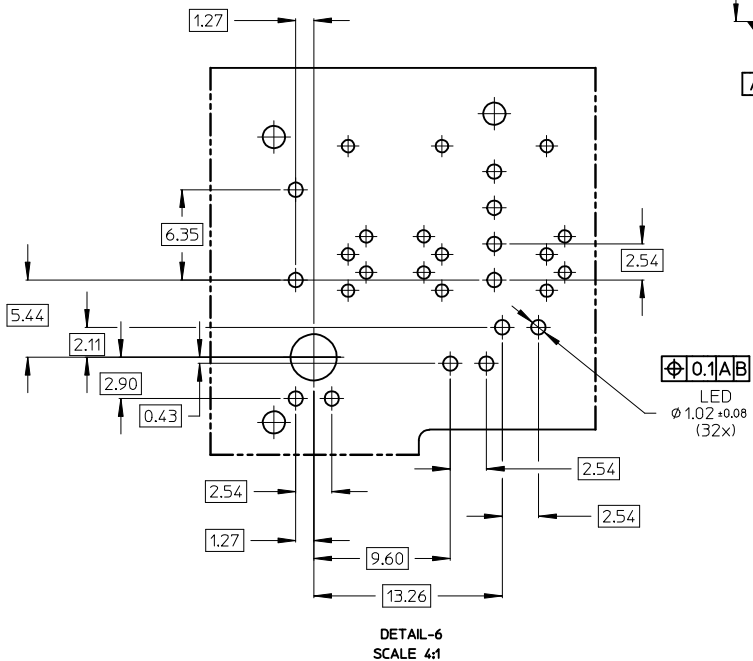
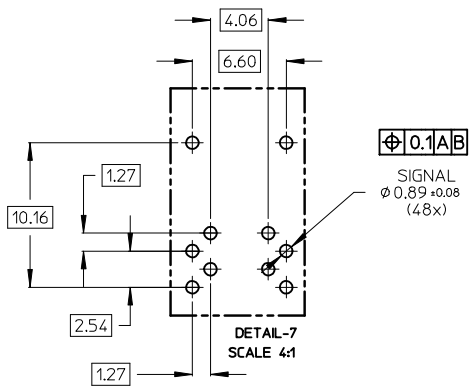
**DETAIL-4
SCALE 4:1**



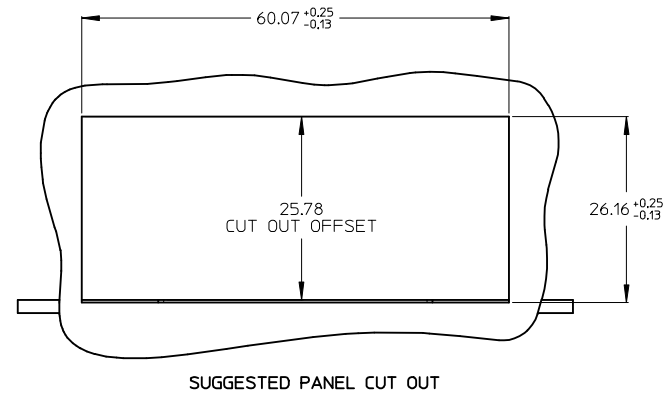
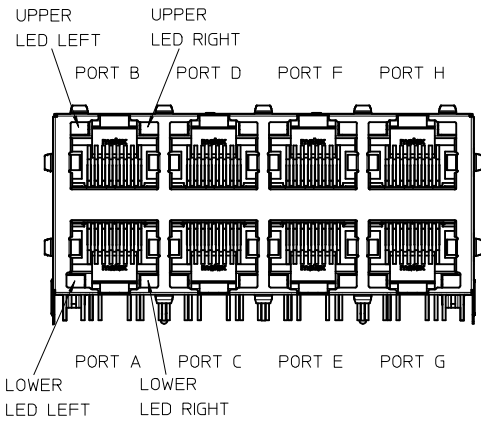
857278005 NO SHIELD SPRING VERSION

- NOTES:**
- 1 - SHIELD MATERIAL: BRASS; PLATING: NICKEL PRE-PLATING
 - 2 - PLASTIC MATERIAL: POLYESTER (PBT)BLACK, 30%GR, UL 94V-0
 - 3 - TERMINALS MATERIAL: COPPER ALLOY
RJ45 CONTACT AREA PLATING: 0.76 MICROMETER GOLD OVER 1.9 MICROMETER NICKEL
SOLDER TERMINALS: 3 MICROMETER TIN
 - 4 - MATING INTERFACE ACCORDING TO IEC 60603-7
 - 5 - PRODUCT SPECIFICATION: PS-85727-001
FOR FURTHER INFORMATION ON MAGNETICS AND LED FUNCTION REFER TO THIS SPECIFICATION
 - 6 - PACKAGING SPECIFICATION: PK-85727-001
 - 7 - TRACES WITHOUT INSULATION NOT ALLOWED IN THE DASHED AREAS.
(TO AVOID SHORTS TO SHIELD)
 - 8 - STAND OFF TO SYSTEM BOARD

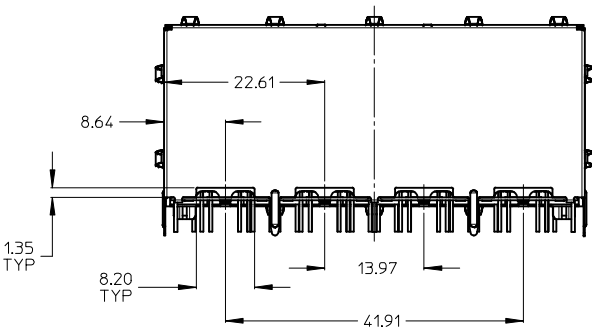
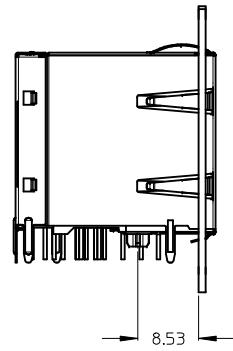
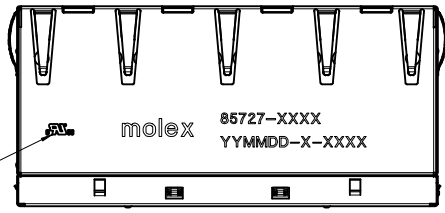
VIEW / TEXT ADDED	EC NO:	2015/12/17	QUALITY SYMBOLS ▽=0 ▽=0	GENERAL TOLERANCES (UNLESS SPECIFIED)		DIMENSION STYLE MM ONLY		SCALE 2:1	DESIGN UNITS METRIC	THIRD ANGLE PROJECTION	
	DRWN:	JBADER		m/m	INCH	DRAWN BY	DATE	TITLE	FAST ETHERNET MAGNETIC JACK GND ISOLATION 2X4 LED molex		
	CHKD:	MMANGARUDOV				CHECKED BY	DATE				
	APPR:	SSTEINKE				APPROVED BY	DATE		DOCUMENT NO. SD-85727-705		
REV	DESCRIPTION			ANGULAR ± .5 °		MATERIAL NO.		THIS DRAWING CONTAINS INFORMATION THAT IS PROPRIETARY TO MOLEX INCORPORATED AND SHOULD NOT BE USED WITHOUT WRITTEN PERMISSION			
				DRAFT WHERE APPLICABLE MUST REMAIN WITHIN DIMENSIONS		SIZE A2					



INCH DIM DELETED	EC NO:	2015/12/17	QUALITY SYMBOLS	GENERAL TOLERANCES (UNLESS SPECIFIED)	DIMENSION STYLE	SCALE	DESIGN UNITS	THIRD ANGLE PROJECTION
	DRWN: JBADER	2015/12/17	▽=0	m/m	MM ONLY	3:1	METRIC	⊙
	CHKD: MMANGARUDOV	2015/12/17	▽=0	INCH				
	APPR: SSTEINKE	2016/01/19		4 PLACES ± --- ± ---	DRAWN BY	DATE	TITLE	
				3 PLACES ± --- ± ---	MMANGARUDOV	2014/06/10	FAST ETHERNET MAGNETIC JACK GND ISOLATION 2X4 LED	
			2 PLACES ± 0.25 ± ---	CHECKED BY	DATE			
			1 PLACE ± 0.5 ± ---	APPROVED BY	DATE		molex	
			0 PLACE ± --- ± ---	SSTEINKE	2016/01/19			
				ANGULAR ± .5 °	MATERIAL NO.	DOCUMENT NO.		
				DRAFT WHERE APPLICABLE MUST REMAIN WITHIN DIMENSIONS	SEE SHEET 3	SD-85727-705		
					SIZE A2			SHEET NO. 2 OF 4
					THIS DRAWING CONTAINS INFORMATION THAT IS PROPRIETARY TO MOLEX INCORPORATED AND SHOULD NOT BE USED WITHOUT WRITTEN PERMISSION			



SUGGESTED PANEL CUT OUT



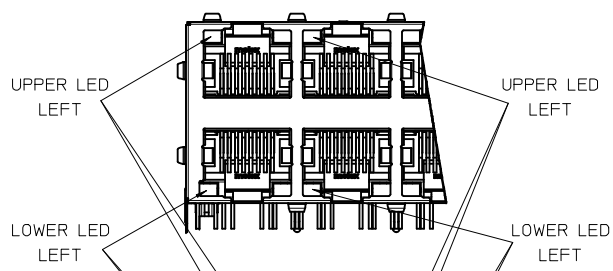
PART NUMBER	UPPER & LOWER LED LEFT	UPPER & LOWER LED RIGHT
85727-7005	GREEN	YELLOW
85727-8005	GREEN	YELLOW
NO SPRINGS		

ADDITIONAL LED COLOURS AND CONFIGURATIONS AVAILABLE ON REQUEST

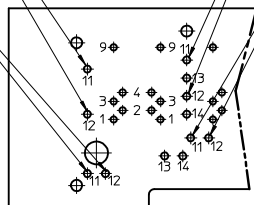
- NOTED:
- 1 - PRINTING MARKED BY LASER
 - 2 - INSCRIPTION:
 - 1st LINE: PART NUMBER
 - 2nd LINE: DATE CODE (YEAR,MONTH,DAY) - MANUFACTURER ID - COSECUTIVE NUMBER
 - 3 - UL LOGO

P/N ADDED EC NO: 2015/12/17 DRWN: JBADER CHKD: MMANGARUDOV APPR: SSTEINKE DATE: 2015/12/17 DATE: 2016/01/19	DESCRIPTION QUALITY SYMBOLS ▽=0 ▽=0	GENERAL TOLERANCES (UNLESS SPECIFIED)		DIMENSION STYLE MM ONLY		SCALE 2:1	DESIGN UNITS METRIC	THIRD ANGLE PROJECTION																			
		<table border="1"> <tr> <th></th> <th>mm</th> <th>INCH</th> </tr> <tr> <td>4 PLACES</td> <td>± ---</td> <td>± ---</td> </tr> <tr> <td>3 PLACES</td> <td>± ---</td> <td>± ---</td> </tr> <tr> <td>2 PLACES</td> <td>± 0.25</td> <td>± ---</td> </tr> <tr> <td>1 PLACE</td> <td>± 0.5</td> <td>± ---</td> </tr> <tr> <td>0 PLACE</td> <td>± ---</td> <td>± ---</td> </tr> </table>			mm	INCH	4 PLACES	± ---	± ---	3 PLACES	± ---	± ---	2 PLACES	± 0.25	± ---	1 PLACE	± 0.5	± ---	0 PLACE	± ---	± ---	DRAWN BY: MMANGARUDOV DATE: 2014/06/10		TITLE FAST ETHERNET MAGNETIC JACK GND ISOLATION 2X4 LED			
			mm	INCH																							
		4 PLACES	± ---	± ---																							
3 PLACES	± ---	± ---																									
2 PLACES	± 0.25	± ---																									
1 PLACE	± 0.5	± ---																									
0 PLACE	± ---	± ---																									
ANGULAR ± .5 °		APPROVED BY: SSTEINKE DATE: 2016/01/19		MATERIAL NO.		DOCUMENT NO.																					
DRAFT WHERE APPLICABLE MUST REMAIN WITHIN DIMENSIONS		SIZE A2		SEE BOM		SD-85727-705		SHEET NO. 3 OF 4																			

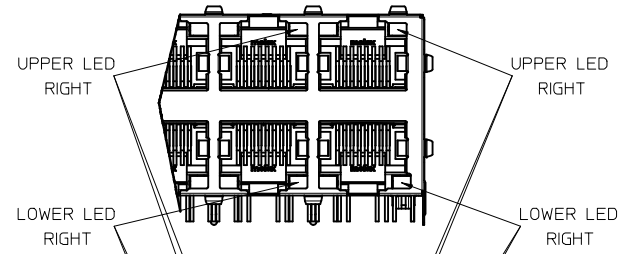
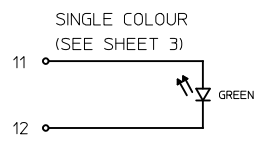
THIS DRAWING CONTAINS INFORMATION THAT IS PROPRIETARY TO MOLEX INCORPORATED AND SHOULD NOT BE USED WITHOUT WRITTEN PERMISSION



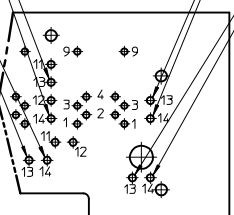
UPPER & LOWER LEFT LED	
PIN POSITION	GREEN
11	+
12	-



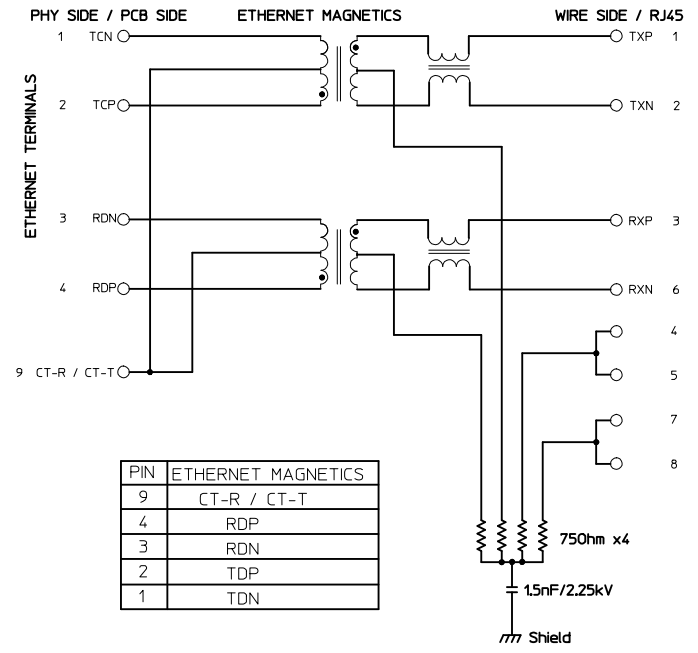
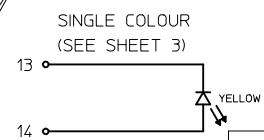
COMPONENT VIEW



UPPER & LOWER RIGHT LED	
PIN POSITION	YELLOW
13	-
14	+



COMPONENT VIEW



PIN	ETHERNET MAGNETICS
9	CT-R / CT-T
4	RDP
3	RDN
2	TDP
1	TDN

NOTE UPDATED EC NO: 2015/12/17 DRAWN: JBADER 2015/12/17 CHKD:MMANGARUDOV 2015/12/17 APPR:SSSTEINKE 2016/01/19 REV:	QUALITY SYMBOLS ▽=0 ▽=0	GENERAL TOLERANCES (UNLESS SPECIFIED) <table border="1"> <thead> <tr> <th></th> <th>mm</th> <th>INCH</th> </tr> </thead> <tbody> <tr> <td>4 PLACES</td> <td>± .005</td> <td>± .0004</td> </tr> <tr> <td>3 PLACES</td> <td>± .005</td> <td>± .0004</td> </tr> <tr> <td>2 PLACES</td> <td>± 0.25</td> <td>± .010</td> </tr> <tr> <td>1 PLACE</td> <td>± 0.5</td> <td>± .020</td> </tr> <tr> <td>0 PLACE</td> <td>± .005</td> <td>± .0004</td> </tr> </tbody> </table> ANGULAR ± .5 ° DRAFT WHERE APPLICABLE MUST REMAIN WITHIN DIMENSIONS		mm	INCH	4 PLACES	± .005	± .0004	3 PLACES	± .005	± .0004	2 PLACES	± 0.25	± .010	1 PLACE	± 0.5	± .020	0 PLACE	± .005	± .0004	DIMENSION STYLE MM ONLY DRAWN BY: MMANGARUDOV DATE: 2014/06/10 CHECKED BY: JBADER DATE: 2014/07/31 APPROVED BY: SSTEINKE DATE: 2016/01/19 MATERIAL NO. SEE SHEET 3	SCALE: 2:1 DESIGN UNITS: METRIC THIRD ANGLE PROJECTION FAST ETHERNET MAGNETIC JACK GND ISOLATION 2X4 LED molex DOCUMENT NO. SD-85727-705 SHEET NO. 4 OF 4
		mm	INCH																			
	4 PLACES	± .005	± .0004																			
	3 PLACES	± .005	± .0004																			
2 PLACES	± 0.25	± .010																				
1 PLACE	± 0.5	± .020																				
0 PLACE	± .005	± .0004																				
THIS DRAWING CONTAINS INFORMATION THAT IS PROPRIETARY TO MOLEX INCORPORATED AND SHOULD NOT BE USED WITHOUT WRITTEN PERMISSION																						
SIZE A2																						
INCORPORATED AND SHOULD NOT BE USED WITHOUT WRITTEN PERMISSION																						