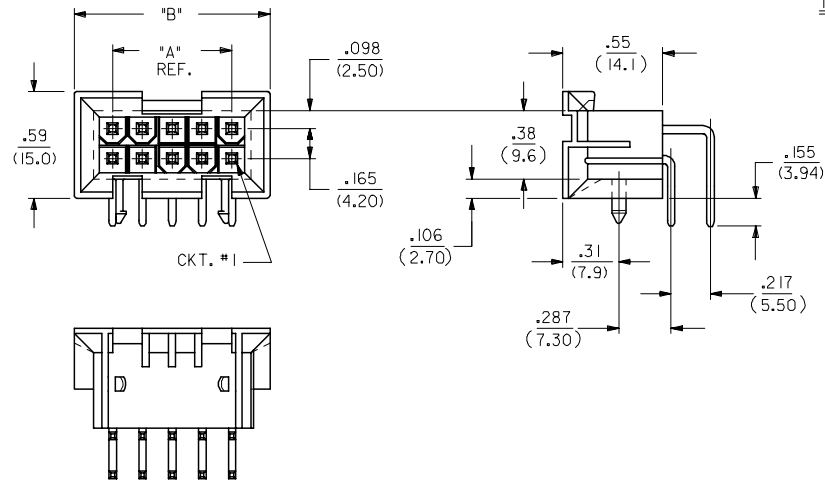
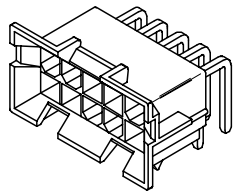


CIRCUIT SIZE	DIM. 'A'	DIM. 'B'
6	.331 (8.40)	.76 (19.2)
8	.496 (12.60)	.92 (23.4)
10	.661 (16.80)	1.09 (27.6)
12	.827 (21.00)	1.25 (31.8)
14	.992 (25.20)	1.42 (36.0)
16	1.157 (29.40)	1.58 (40.2)
18	1.323 (33.60)	1.75 (44.4)
20	1.488 (37.80)	1.91 (48.6)
22	1.654 (42.00)	2.08 (52.8)
24	1.819 (46.20)	2.24 (57.0)

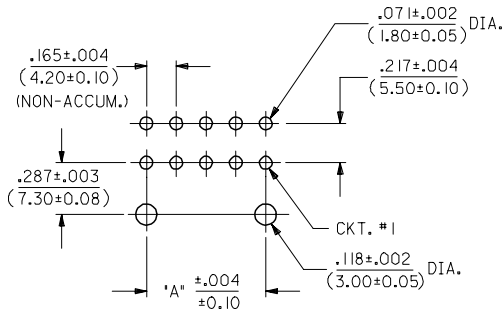


**NOTES:**

- HOUSING MATERIAL: "1" = NYLON 6/6, U.L. 94V-2  
COLOR: NATURAL.  
"2" = NYLON 6/6, U.L. 94V-0  
COLOR: NATURAL.
- TERMINAL MATERIAL: BRASS, ALLOY 260.
- 4-24 CKT. PARTS MATE WITH MINI-FIT JR. RECEPTACLES #5557, #42385 AND #42474. 2 CKT. PART MATES WITH #42385 AND #42474 ONLY.
- PART ALLOWS FOR UP TO .100/(2.54) MISALIGNMENT WITH MATING RECEPTACLE IN ANY DIRECTION. SEE MATING CONNECTOR DRAWINGS FOR SPECIFIC ALLOWANCES.
- PART IS DESIGNED IN METRIC.
- TERMINAL PLATING:
  - .000100/(.00254) MIN. BRIGHT TIN OVER .000050/(.00127) MIN. NICKEL.
  - .000030/(.00076) MIN. GOLD OVER .000050/(.00127) MIN. NICKEL.
  - .000100/(.00254) MIN. MATTE TIN OVER .000050/(.00127) MIN. NICKEL.
  - .000050/(.00127) MIN. GOLD OVER .000050/(.00127) MIN. NICKEL.
- THE PRIMARY SHIPPING CARTON WILL BE LABELED "COMPLIANT TO RoHS DIRECTIVE 2002/95/EC AND ELV ANNEX II OF DIRECTIVE 2000/53/EC". CARTONS WITHOUT THIS LABEL MAY CONTAIN PRODUCT WITH TIN-LEAD PLATING.
- PRODUCT SPECIFICATION AND PROCESSING PARAMETERS SEE: PS-5556-002
- CONNECTOR ASSEMBLIES ARE NOT TO BE MATED OR UNMATED WHILE CIRCUITS ARE LIVE.



A-43644-\*\*\*\*



RECOMMENDED HOLE LAYOUT FOR  
.093/(2.36) MAX. THICK P.C. BOARD  
(SEE NOTE 5.)

**LEGEND:**

A-43644-\*\*\*\*

BASE NUMBER: \_\_\_\_\_

CKT. SIZE: (02-24) \_\_\_\_\_

HOUSING MAT'L: (SEE NOTE 1) \_\_\_\_\_

TERMINAL PLATING: (SEE NOTE 6) \_\_\_\_\_

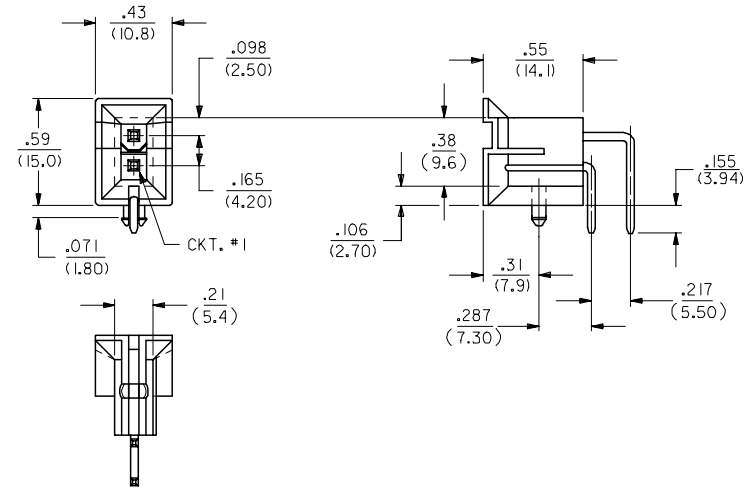
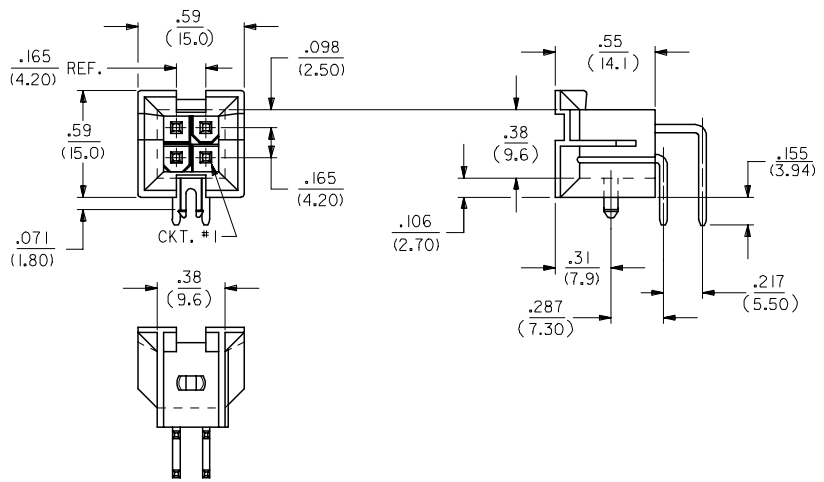
---	**22, _**24	42474-***21, 5556-PBGS*P	94V-0	PHOS. BRZ.	GOLD
---	**12, _**14	42474-***11, 5556-PBGS*P	94V-2		TIN
---	**21, _**23	42474-***21, 5556-PBS*P	94V-0	BRASS	GOLD
---	**11, -**13	42474-***11, 5556-PBS*P	94V-2		TIN
---	**22, _**24	42474-***21, 5556-GS*P	94V-0	PHOS. BRZ.	GOLD
---	**12, _**14	42474-***11, 5556-GS*P	94V-2		TIN
---	**21, _**23	42474-***21, 5556-S*P	94V-0	BRASS	GOLD
---	**11, -**13	42474-***11, 5556-S*P	94V-2		TIN
---	**22, _**24	A-42385-**D2	94V-0	PHOS. BRZ.	GOLD
---	**12, _**14	A-42385-**C2	94V-2		TIN
---	**21, _**23	A-42385-**D1	94V-0	BRASS	GOLD
---	**11, -**13	A-42385-**C1	94V-2		TIN
---	**22, _**24	A-42385-**B2	94V-0	PHOS. BRZ.	GOLD
---	**12, _**14	A-42385-**A2	94V-2		TIN
---	**21, _**23	A-42385-**B1	94V-0	BRASS	GOLD
---	**11, -**13	A-42385-**A1	94V-2		TIN
R.A. HEADER	A-43644	MATING CONNECTOR	HSG. MAT'L.	TERM. MAT'L.	PLATING
		MATING CONNECTOR FEATURES			

<b>UPDATE ME10 TITLE</b> EC NO: UCP2005-2348 DRW:ADRATNOL 2005/05/02 CHKD:POLGAR 2005/05/02 APPR:YMARGULLI 2005/05/03	<b>QUALITY SYMBOLS</b> 	<b>GENERAL TOLERANCES (UNLESS SPECIFIED)</b>		<b>DIMENSION STYLE</b> IN/MM		<b>SCALE</b> 2:1	<b>DESIGN UNITS</b> METRIC	<b>THIRD ANGLE PROJECTION</b>
		4 PLACES ± --- ± --- 3 PLACES ± --- ± --- 2 PLACES ± 0.25 ± .015 1 PLACE ± 0.38 ± --- ANGULAR ±1/2°	DRAWN BY KSM DATE 1995/12/15	CHECKED BY SF DATE 1995/12/15	APPROVED BY SF DATE 1995/12/15	<b>TITLE</b> MINI-FIT JR. RIGHT ANGLE HEADER ASSY EXTEND TAIL (BLIND-MATE)		<b>MATERIAL NO.</b> SEE SHEET 3
<b>DRAFT WHERE APPLICABLE MUST REMAIN WITHIN DIMENSIONS</b>		<b>THIS DRAWING CONTAINS INFORMATION THAT IS PROPRIETARY TO MOLEX INCORPORATED AND SHOULD NOT BE USED WITHOUT WRITTEN PERMISSION</b>						

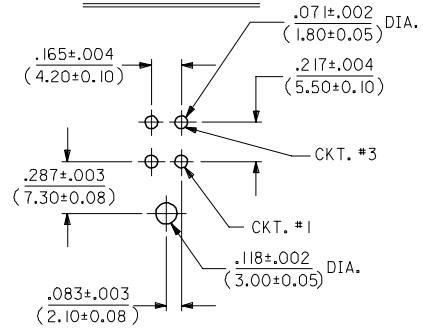
13 12 11 10 9 8 7 6 5 4 3 2 1

J  
I  
H  
G  
F  
E  
D  
C  
B  
A

J  
I  
H  
G  
F  
E  
D  
C  
B  
A

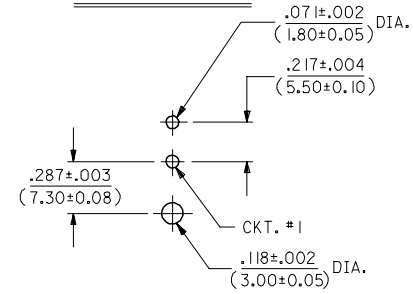


A-43644-04\*\*



RECOMMENDED HOLE LAYOUT FOR  
.093/(2.36) MAX. THICK P.C. BOARD  
(SEE NOTE 5 SHT. 1)

A-43644-02\*\*



RECOMMENDED HOLE LAYOUT FOR  
.093/(2.36) MAX. THICK P.C. BOARD  
(SEE NOTE 5 SHT. 1)

ME10 TITELBLOCK FC NO: UCP2005-23/48 DRW:ADRATNOL 2005/05/02 CHK:D.POLGAR 2005/05/02 APPR:YMARGULLI 2005/05/03 REV D	QUALITY SYMBOLS ▽=0 ▽=0	GENERAL TOLERANCES (UNLESS SPECIFIED) <table border="1"> <tr> <th></th> <th>mm</th> <th>INCH</th> </tr> <tr> <td>4 PLACES</td> <td>± .---</td> <td>± .---</td> </tr> <tr> <td>3 PLACES</td> <td>± .---</td> <td>± .010</td> </tr> <tr> <td>2 PLACES</td> <td>± 0.25</td> <td>± .015</td> </tr> <tr> <td>1 PLACE</td> <td>± 0.38</td> <td>± .---</td> </tr> <tr> <td colspan="3">ANGULAR ±1/2°</td> </tr> </table>		mm	INCH	4 PLACES	± .---	± .---	3 PLACES	± .---	± .010	2 PLACES	± 0.25	± .015	1 PLACE	± 0.38	± .---	ANGULAR ±1/2°			DIMENSION STYLE IN/MM	SCALE 2:1	DESIGN UNITS METRIC	THIRD ANGLE PROJECTION
		mm	INCH																					
	4 PLACES	± .---	± .---																					
	3 PLACES	± .---	± .010																					
2 PLACES	± 0.25	± .015																						
1 PLACE	± 0.38	± .---																						
ANGULAR ±1/2°																								
DRAWN BY KSM	DATE 1995/12/15	TITLE MINI-FIT JR. RIGHT ANGLE HEADER ASSY EXTEND TAIL (BLIND-MATE)		Molex MOLEX INCORPORATED		SHEET NO. 2																		
MATERIAL NO. SEE SHEET 3		DOCUMENT NO. SDA-43644-0001		THIS DRAWING CONTAINS INFORMATION THAT IS PROPRIETARY TO MOLEX INCORPORATED AND SHOULD NOT BE USED WITHOUT WRITTEN PERMISSION																				
DRAFT WHERE APPLICABLE MUST REMAIN WITHIN DIMENSIONS																								

12 11 10 9 8 7 6 5 4 3 2 1

