

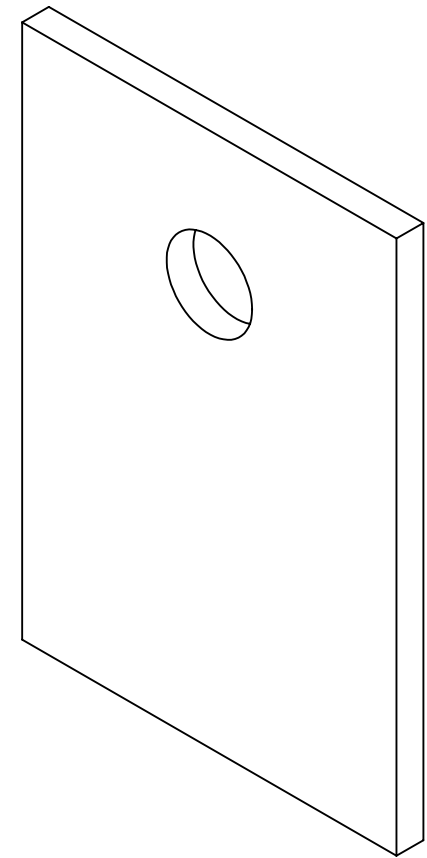
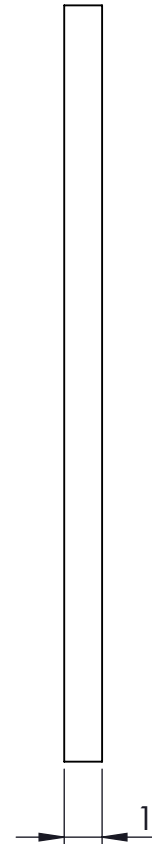
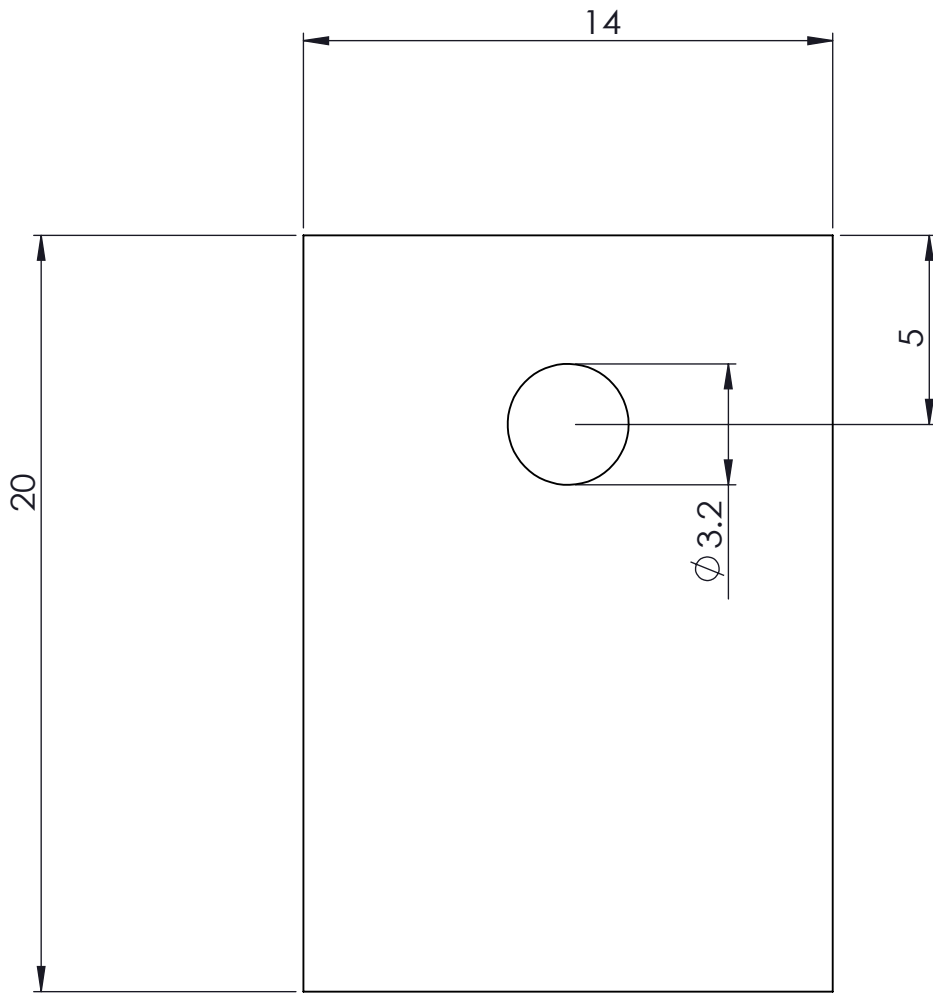
201~300	±2.0
151~200	±1.5
101~150	±1.0
51~100	±0.7
31~50	±0.5
11~30	±0.3
<10	±0.2
RANGE	TOLERANCE
TOLERANCES	



DRAWING NAME :	1. T0-220
SPECIFICATION:	
REMARK:	

REV	UNIT MM	SCALE 5:1	MATERIAL XL25W
	DATE	NAME	PAGE
DRAWN		Santhou	
DESIGN			
CHECK			



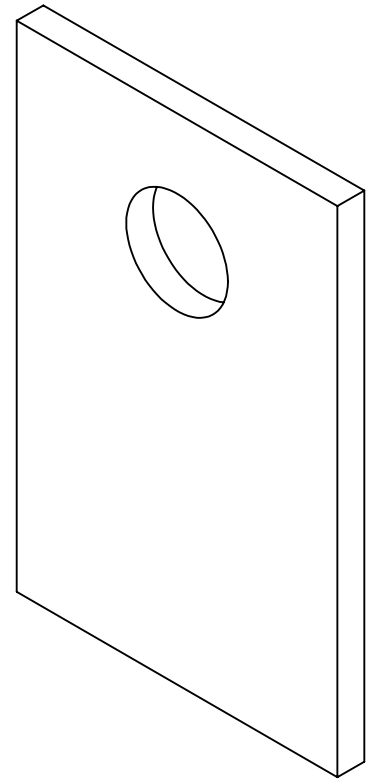
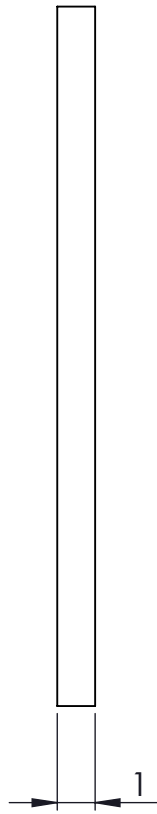
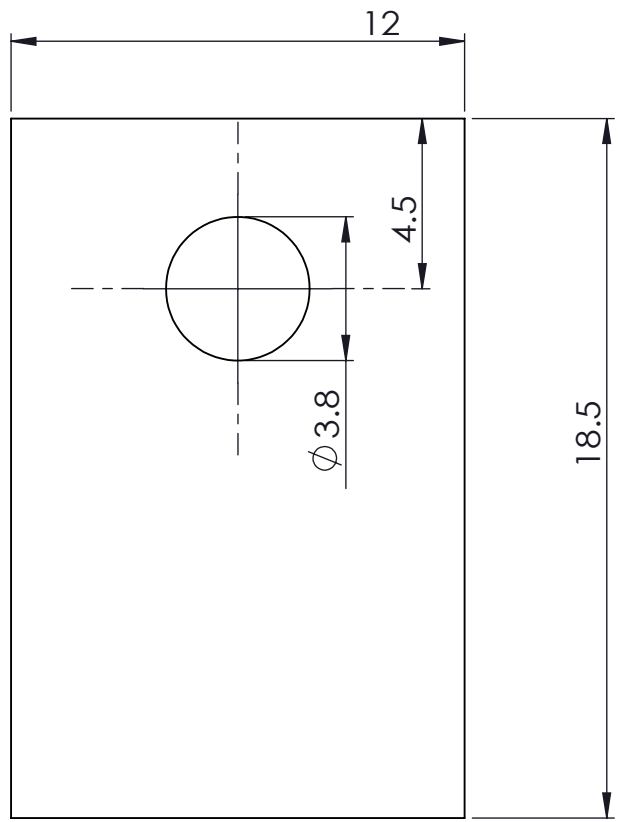


RANGE	TOLERANCE
201~300	± 2.0
151~200	± 1.5
101~150	± 1.0
51~100	± 0.7
31~50	± 0.5
11~30	± 0.3
<10	± 0.2
TOLERANCES	



DRAWING NAME :	2. T0-220
SPECIFICATION:	
REMARK:	

REV	UNIT MM	SCALE 5:1	MATERIAL XL25W
	DATE	NAME Santhou	PAGE
DRAWN			
DESIGN			
CHECK			

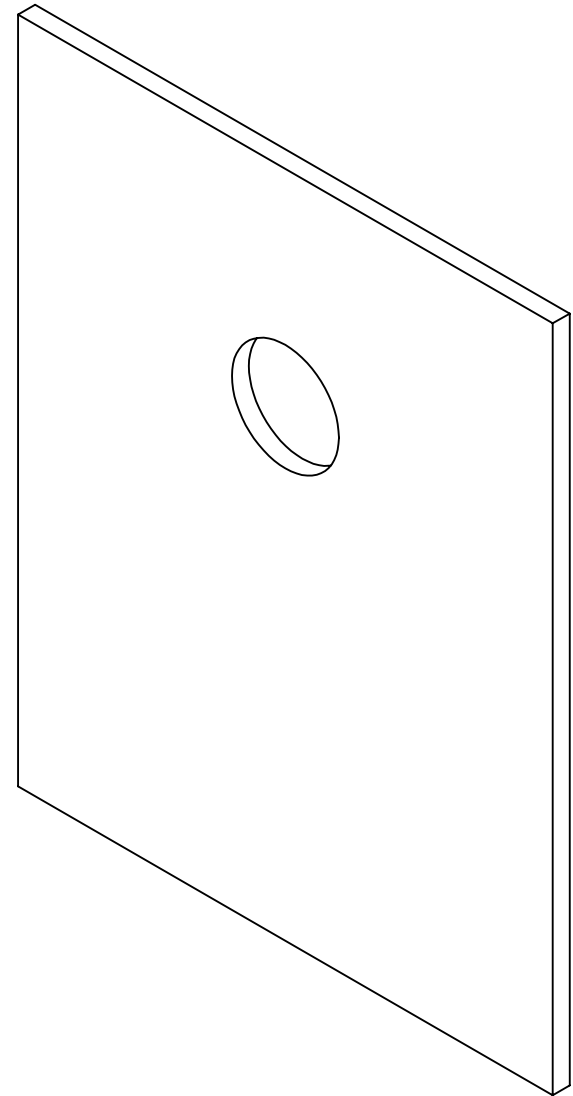
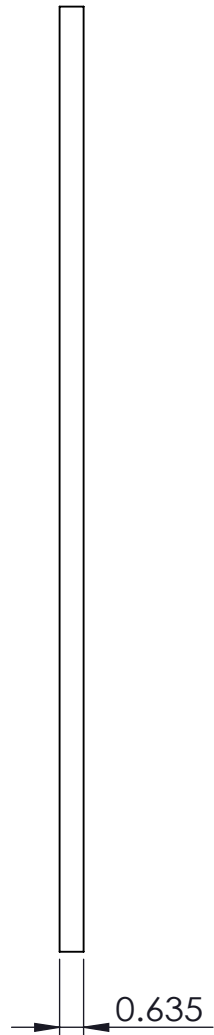
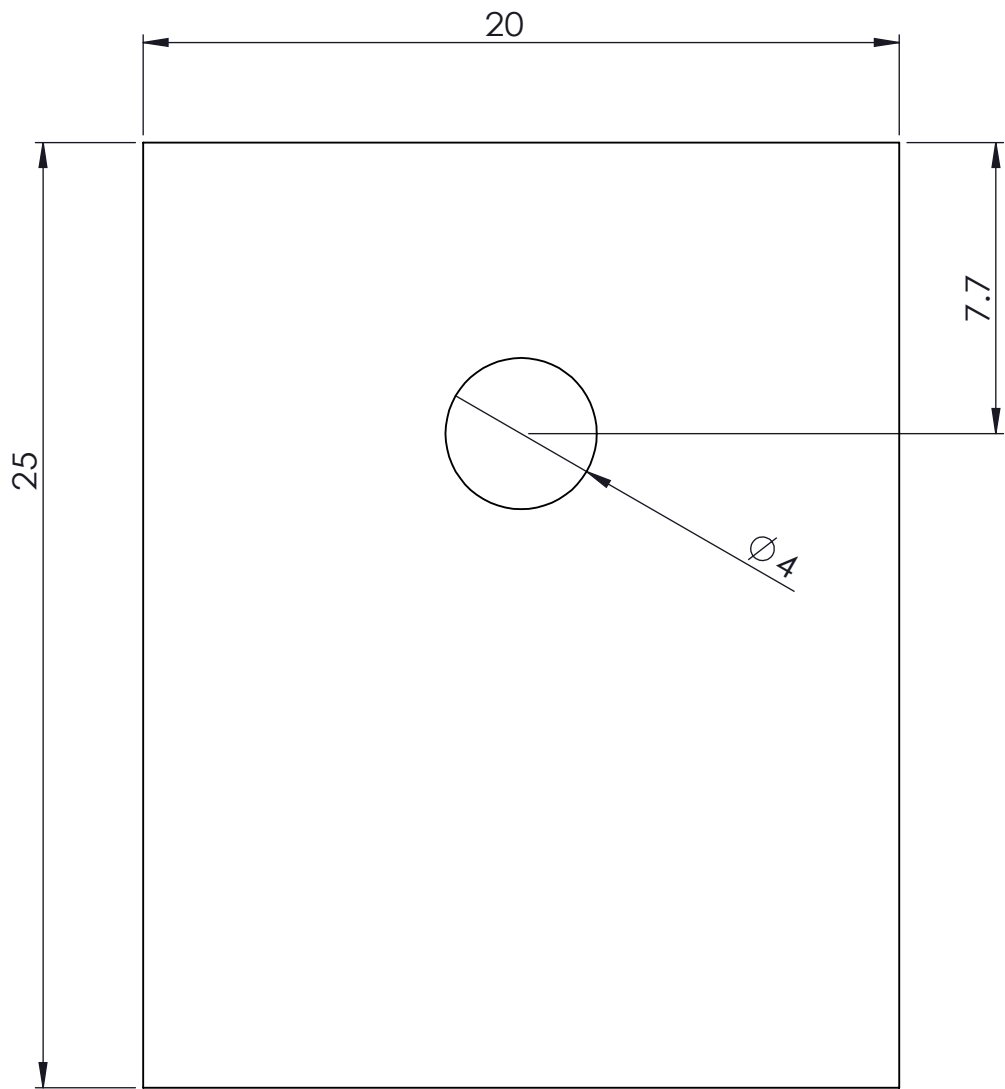


201~300	± 2.0
151~200	± 1.5
101~150	± 1.0
51~100	± 0.7
31~50	± 0.5
11~30	± 0.3
<10	± 0.2
RANGE	TOLERANCE
TOLERANCES	



DRAWING NAME :	3. T0-220
SPECIFICATION:	
REMARK:	

REV	UNIT MM	SCALE 5:1	MATERIAL XL25W
	DATE	NAME Santhou	PAGE
DRAWN			
DESIGN			
CHECK			

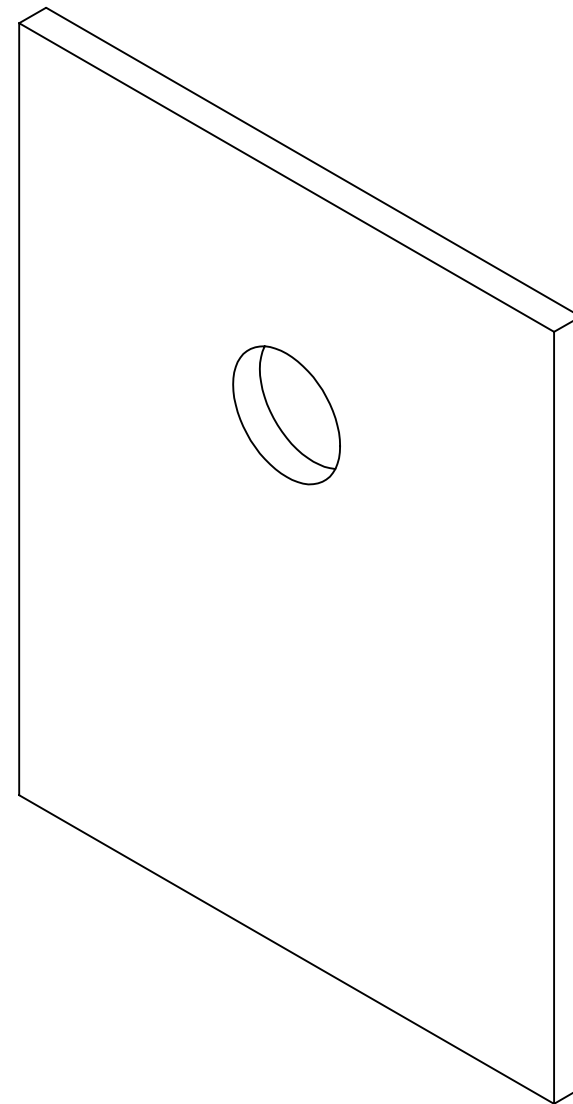
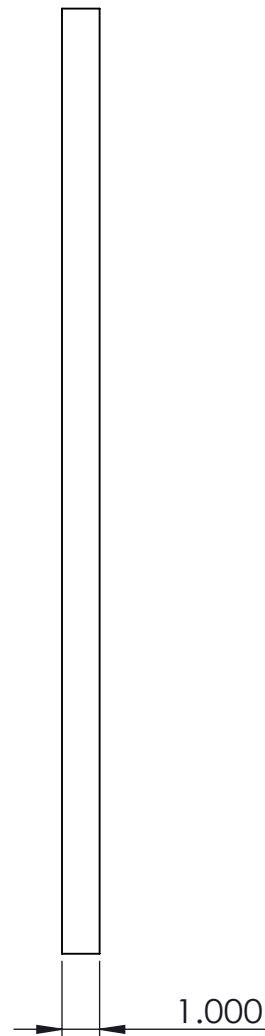
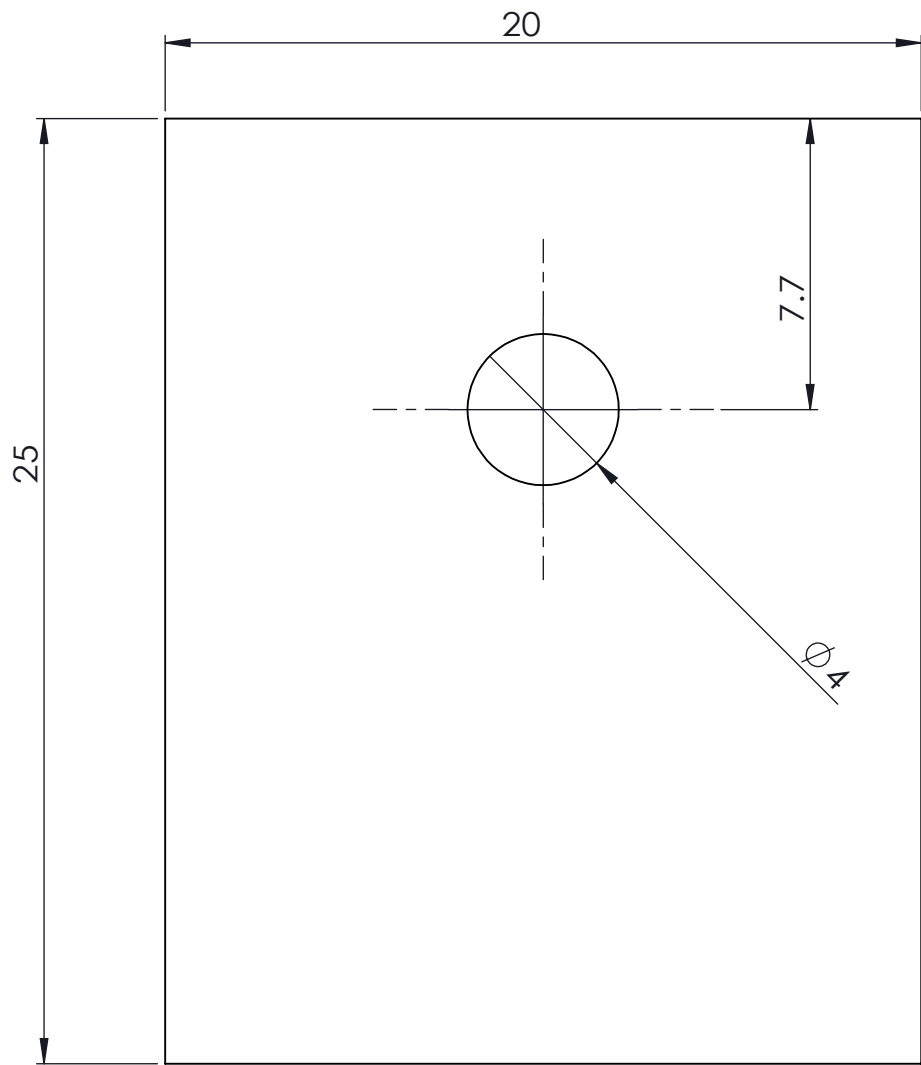


RANGE	TOLERANCE
201~300	± 2.0
151~200	± 1.5
101~150	± 1.0
51~100	± 0.7
31~50	± 0.5
11~30	± 0.3
<10	± 0.2
TOLERANCES	



DRAWING NAME :	4. TQ-3P
SPECIFICATION:	
REMARK:	

REV	UNIT MM	SCALE 5:1	MATERIAL XL25W
	DATE	NAME Santhou	PAGE
DRAWN			
DESIGN			
CHECK			

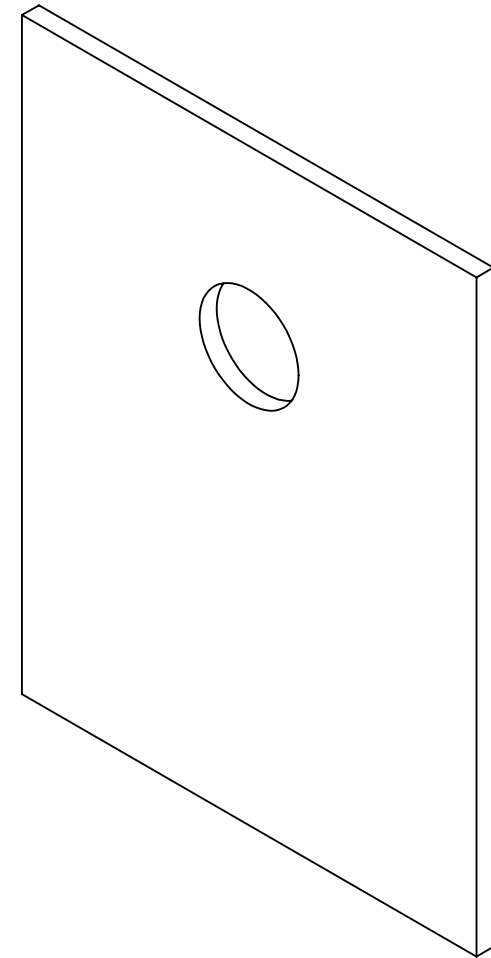
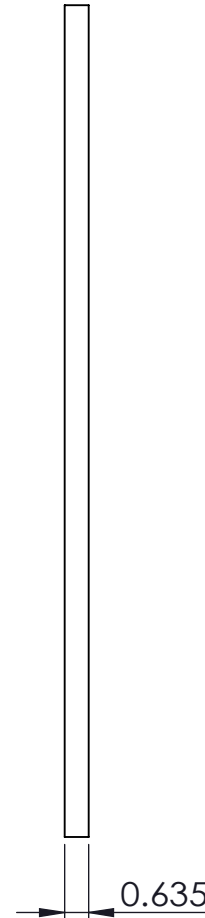
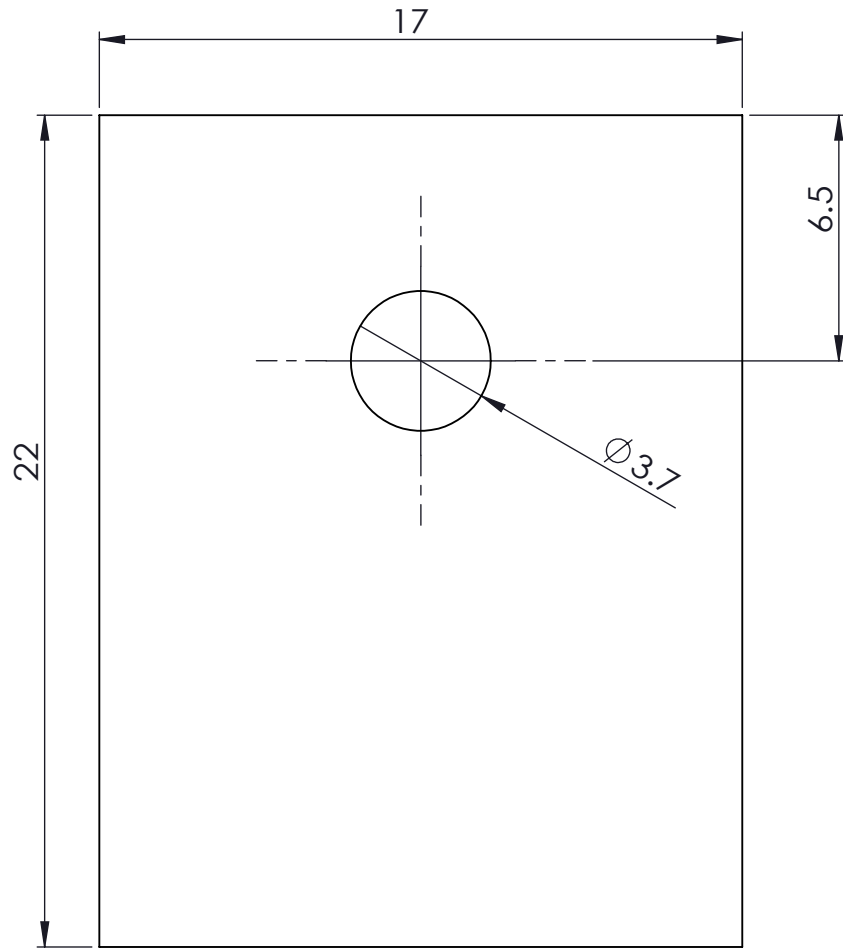


201~300	± 2.0
151~200	± 1.5
101~150	± 1.0
51~100	± 0.7
31~50	± 0.5
11~30	± 0.3
<10	± 0.2
RANGE	TOLERANCE
TOLERANCES	



DRAWING NAME :	5. TQ-3P
SPECIFICATION:	
REMARK:	

REV	UNIT MM	SCALE 5:1	MATERIAL XL25W
	DATE	NAME Santhou	PAGE
DRAWN			
DESIGN			
CHECK			

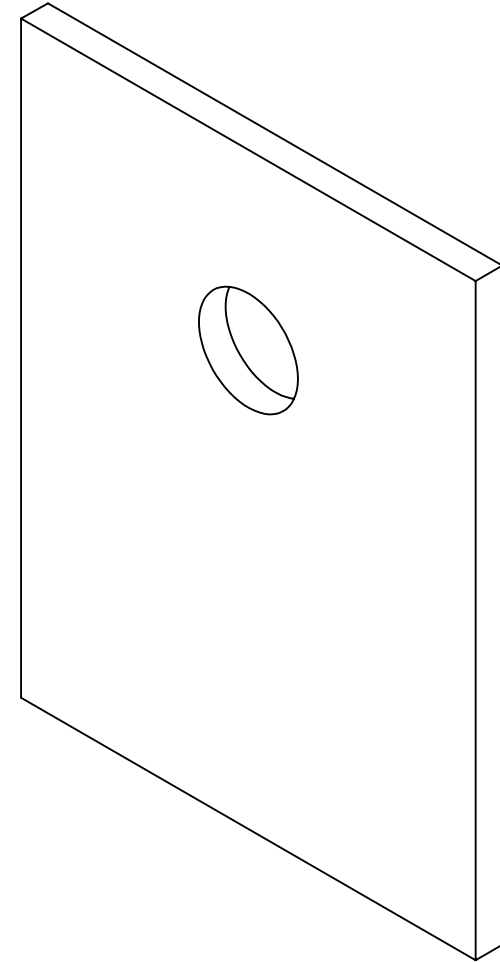
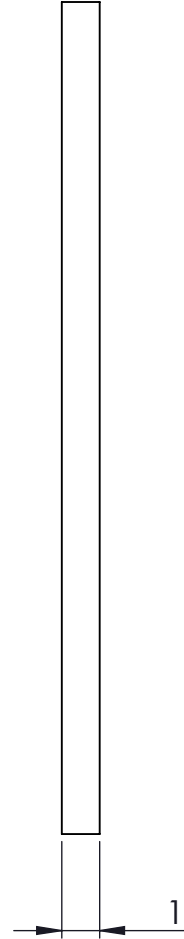
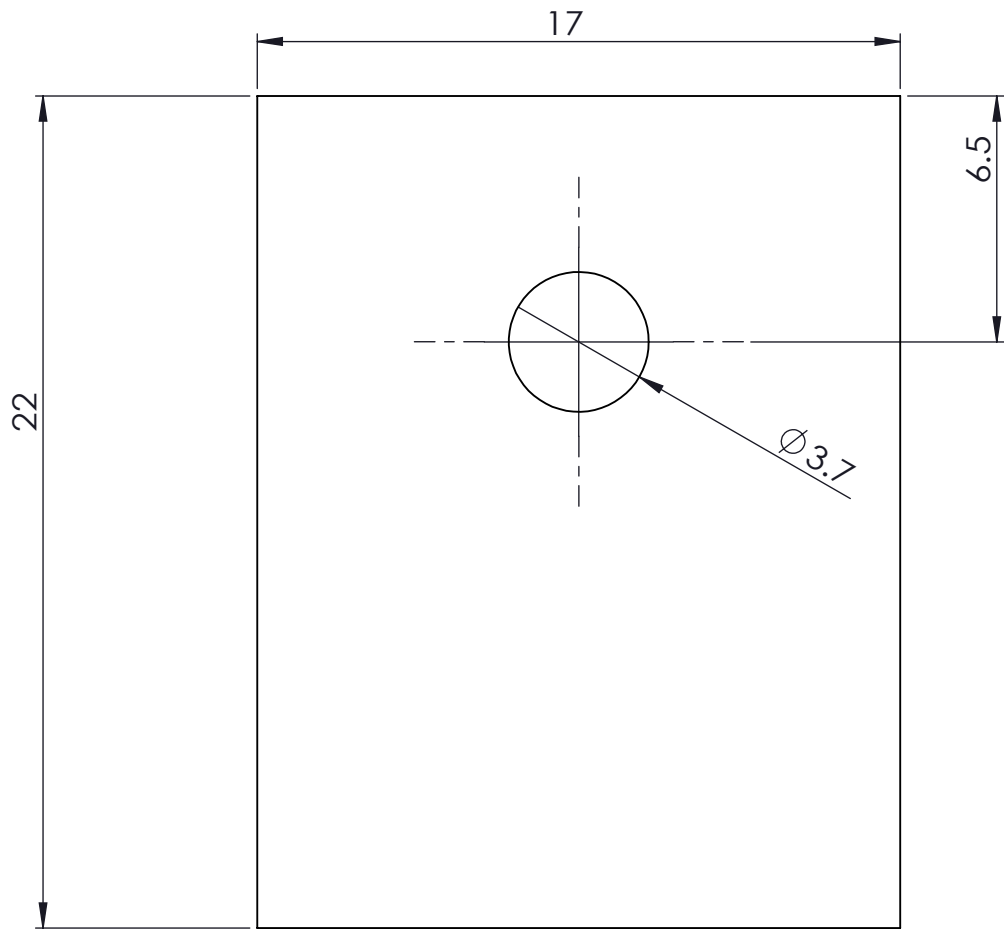


201~300	± 2.0
151~200	± 1.5
101~150	± 1.0
51~100	± 0.7
31~50	± 0.5
11~30	± 0.3
<10	± 0.2
RANGE	TOLERANCE
TOLERANCES	



DRAWING NAME :	6. TD-247
SPECIFICATION:	
REMARK:	

REV	UNIT MM	SCALE 5:1	MATERIAL XL25W
	DATE	NAME Santhou	PAGE
DRAWN			
DESIGN			
CHECK			

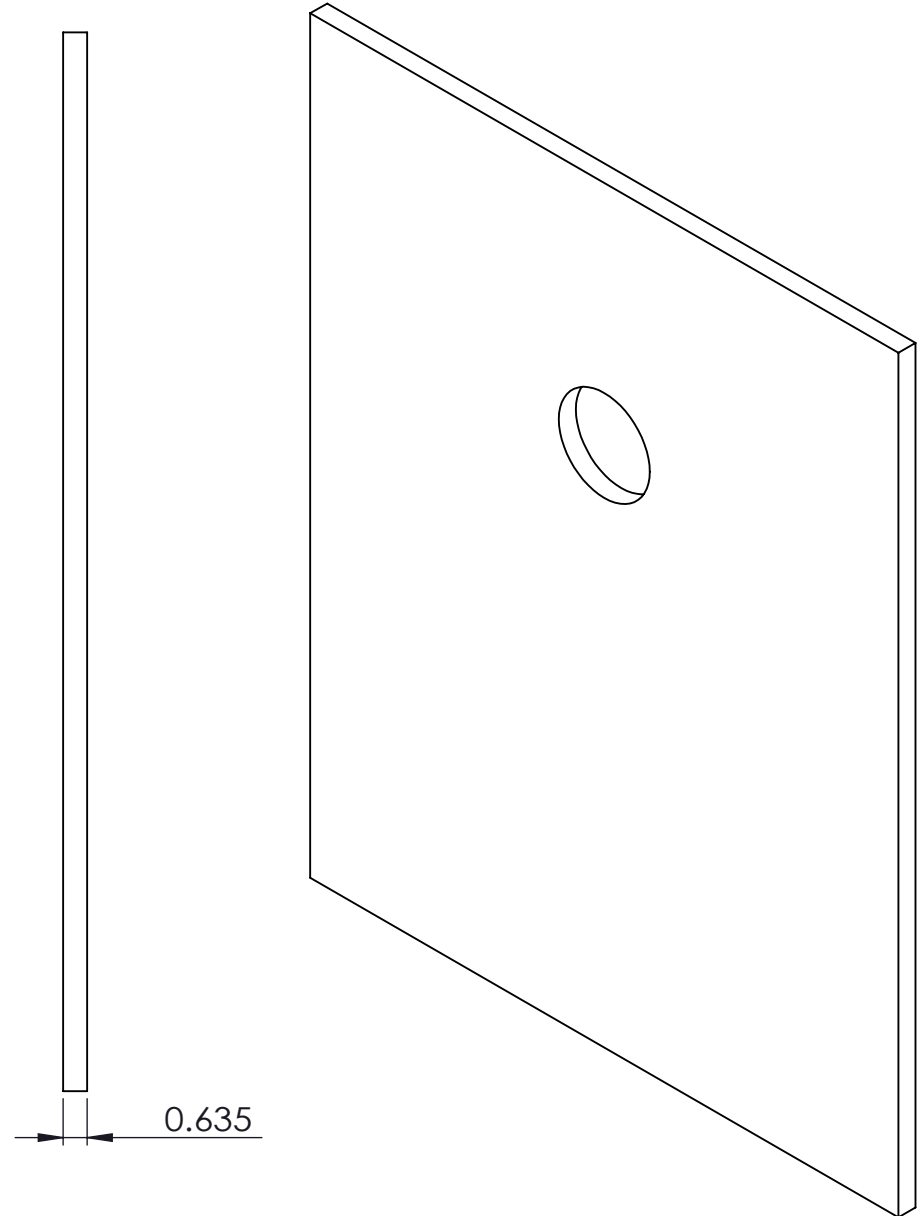
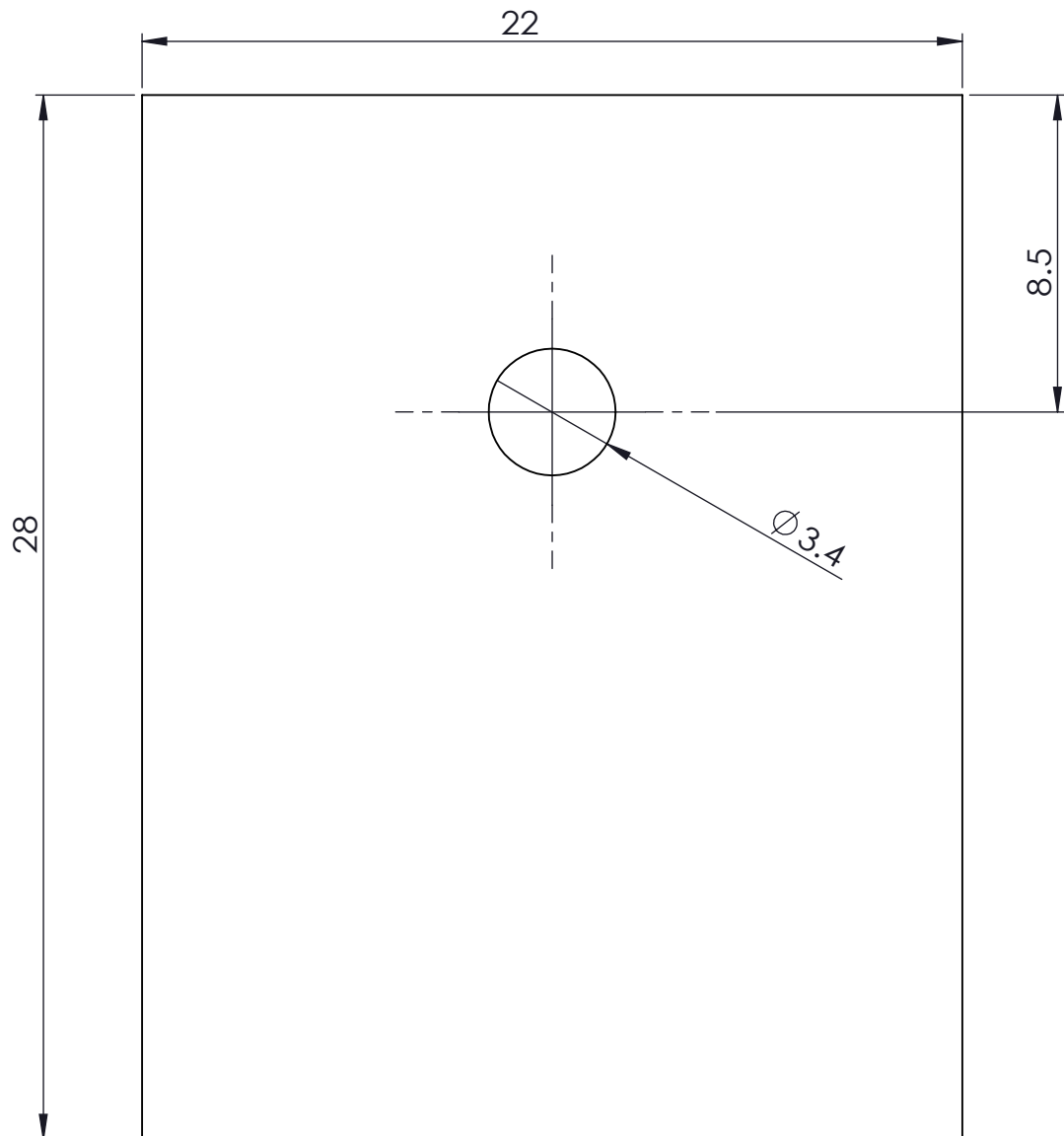


201~300	± 2.0
151~200	± 1.5
101~150	± 1.0
51~100	± 0.7
31~50	± 0.5
11~30	± 0.3
<10	± 0.2
RANGE	TOLERANCE
TOLERANCES	



DRAWING NAME :	7. TD-247
SPECIFICATION:	
REMARK:	

REV	UNIT MM	SCALE 5:1	MATERIAL XL25W
	DATE	NAME Santhou	PAGE
DRAWN			
DESIGN			
CHECK			

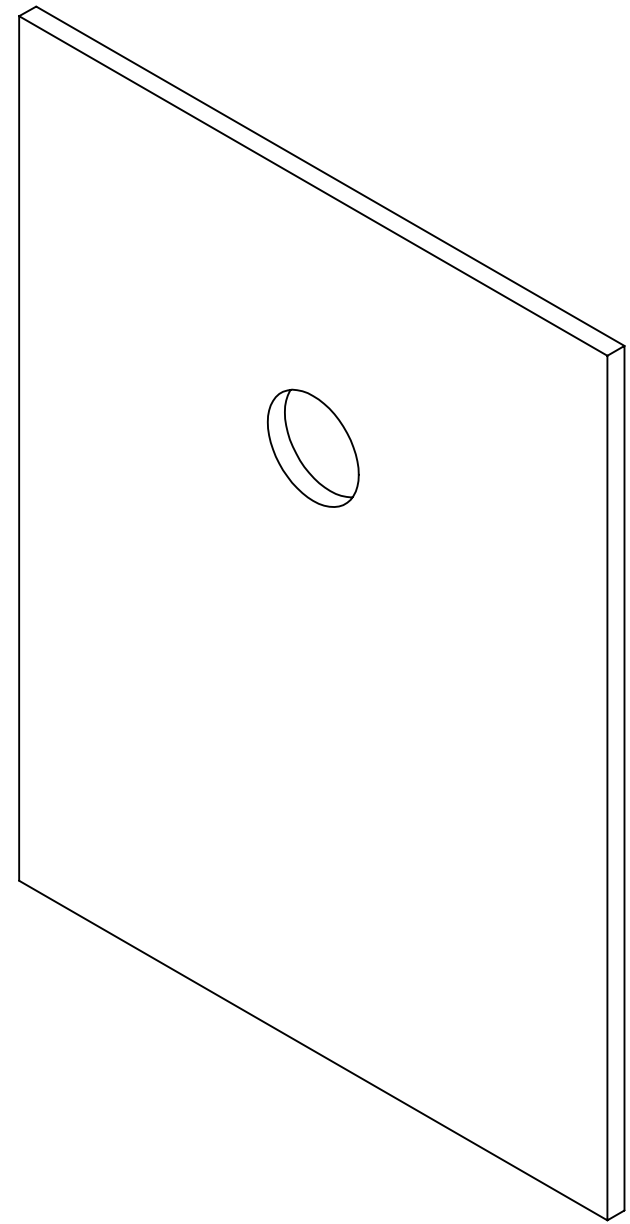
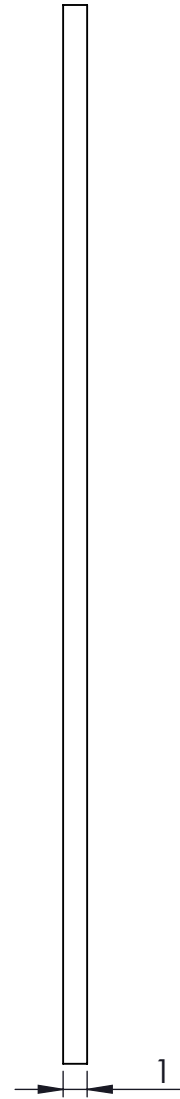
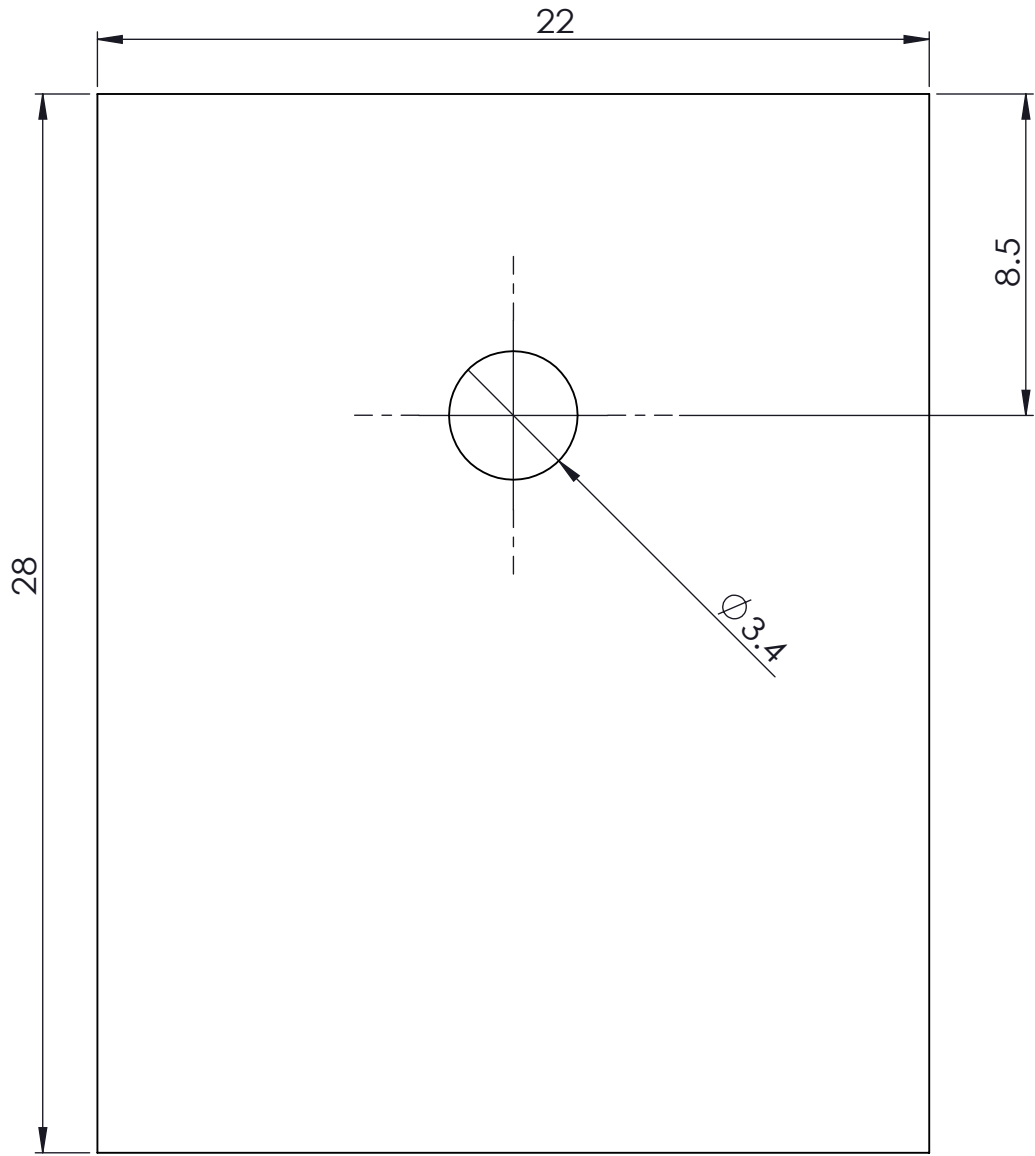


201~300	± 2.0
151~200	± 1.5
101~150	± 1.0
51~100	± 0.7
31~50	± 0.5
11~30	± 0.3
<10	± 0.2
RANGE	TOLERANCE
TOLERANCES	



DRAWING NAME :	8. TD-264
SPECIFICATION:	
REMARK:	

REV	UNIT MM	SCALE 5:1	MATERIAL XL25W
	DATE	NAME Santhou	PAGE
DRAWN			
DESIGN			
CHECK			



201~300	± 2.0
151~200	± 1.5
101~150	± 1.0
51~100	± 0.7
31~50	± 0.5
11~30	± 0.3
<10	± 0.2
RANGE	TOLERANCE
TOLERANCES	



DRAWING NAME :	9. TD-264
SPECIFICATION:	
REMARK:	

REV	UNIT MM	SCALE 5:1	MATERIAL XL25W
	DATE	NAME Santhou	PAGE
DRAWN			
DESIGN			
CHECK			