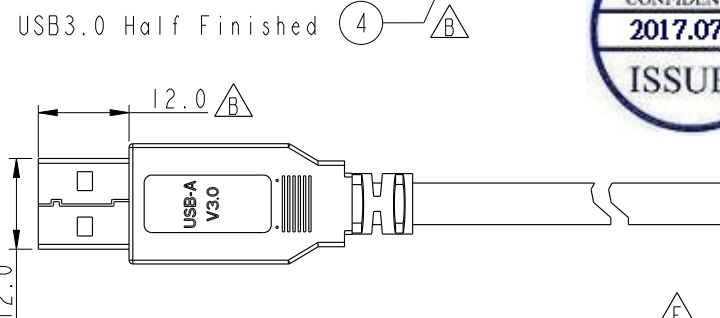
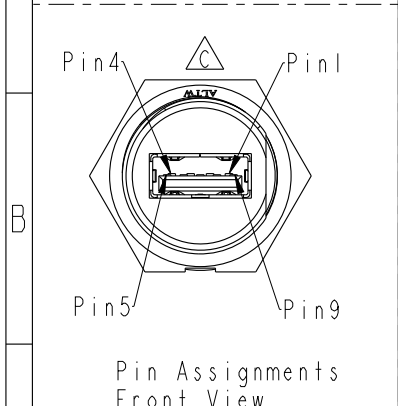
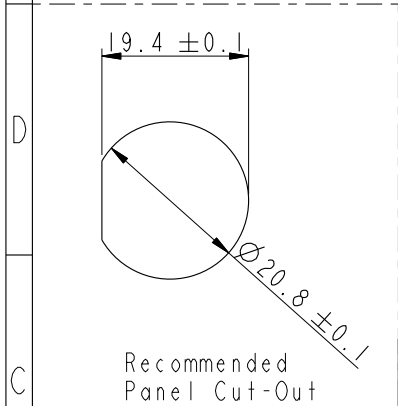
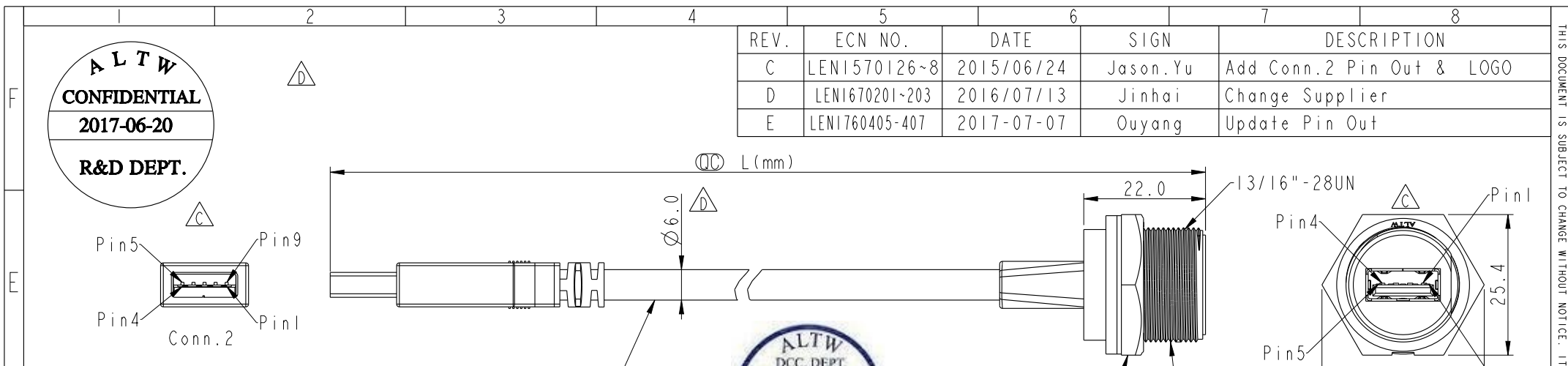
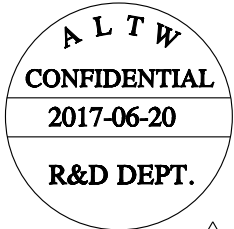
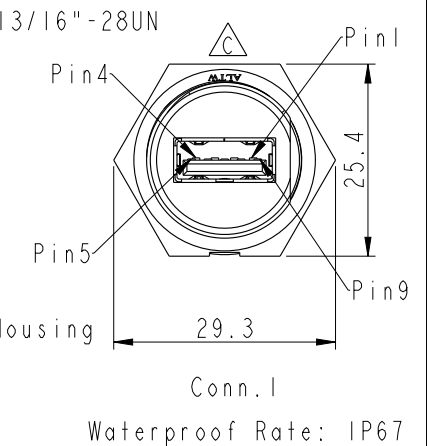
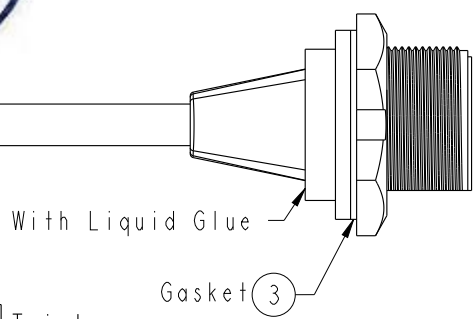


THIS DOCUMENT IS SUBJECT TO CHANGE WITHOUT NOTICE. IT IS CONFIDENTIAL AND A PROPERTY OF Amphenol LTW. DISCLOSURE TO THIRD PARTY HAS TO BE AUTHORIZED BY Amphenol LTW.

REV.	ECN NO.	DATE	SIGN	DESCRIPTION
C	LEN1570126~8	2015/06/24	Jason.Yu	Add Conn.2 Pin Out & LOGO
D	LEN1670201~203	2016/07/13	Jinhai	Change Supplier
E	LEN1760405-407	2017-07-07	Ouyang	Update Pin Out



Shield	Braid	編織	Shield	Shield	
9	Orange	28AWG 橙	SDP2+	9	Twist
8	Purple	28AWG 紫	SDP2-	8	
7	Drain	28AWG	SDP2_Drain	7	Twist
6	Yellow	28AWG 黃	SDP1+	6	
5	Blue	28AWG 藍	SDP1-	5	Twist
7	Drain	28AWG	SDP1_Drain	7	
4	Black	28AWG 黑	GND_PWRrt	4	Twist
3	Green	28AWG 綠	UTP_D+	3	
2	White	28AWG 白	UTP_D-	2	Twist
1	Red	28AWG 紅	PWR	1	
Jack	Wire Color		Signal Name	Plug	



UA-30PMF-SD7BXX

XX	: 150~300mm
15	: 150mm
20	: 200mm
30	: 300mm

Cable Length(L): 150~300mm

- Note:
- * Ⓞ Important Dimension.
 - * Housing: ABS, Black
 - * Screw Nut: Nylon+GF, Black
 - * Gasket: Silicone, Gray
 - * Jack: USB3.0-A Female Solder
 - * Cable: UL2725 (IP*28#+DMA)*2C+IP*28#+2C*28#+ADB, PVC, UV Resistant, OD=6.0mm, Black
 - * Cable Length Tolerance: 150~300mm:±15mm
 - * Use with waterproof cap or dust cap
Panel Thickness max: 2.8mm
 - * Use without waterproof cap or dust cap
Panel Thickness max: 4.0mm
 - * All of Drain twisted together.

UNIT:mm TOLERANCE ±0.5	TITLE USB3.0 Male A Type		<h1>Amphenol LTW</h1> <h2>安費諾亮泰企業股份有限公司</h2>		ITEM NO UA-30PMF-SD7BXX	DRAWN BY Ouyang	DATE 2017-07-07
	SCALE 1:1	SIZE A4			SHEET 1 OF 1	DWG NO UA-30PMF-SD7BXX	CHECKED BY Feng-Li
	REV. E	WC-REV. B.5	Ⓞ: Inspection item	CUSTOMER ALTW	APPROVED BY Jerry	DATE 2017-07-07	