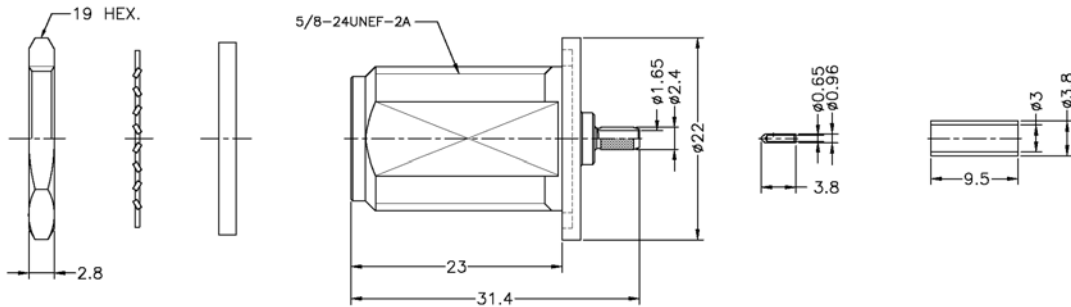


THE REVISION STATUS OF ALL SHEETS OF THIS DRAWING IS THE SAME AS SHEET 1

LTR	DESCRIPTION	DATE	BY
-	Released	2/1/07	JCL



**I. MATERIALS & FINISHES**

center contact: Gold (10u") Plated Beryllium Copper  
 outer contact: Nickel (100u") Plated Brass  
 body: Nickel (100u") Plated Brass  
 crimp sleeve: Nickel (100u") Plated Copper  
 dielectric: Teflon® PTFE  
 gasket: Silicone Rubber  
 shrink sleeve: Adhesive Lined Polyolefin  
 attachment: braid crimp (.213" hex)

**II. ELECTRICAL PROPERTIES**

impedance: 50 ohms  
 working voltage: 1000 vrms (max)  
 vswr: 1.25:1 (max) up to 2.5 GHz  
 insertion loss: 0.10 x √Fghz

Unless otherwise specified, dimensions are in inches. Tolerances are applicable when specified.

These drawings and specifications contain proprietary information which is the property of Times Microwave Systems.

Approvals		
Drawn	JCL	2/1/07



**TIMES MICROWAVE SYSTEMS**  
 Wallingford, CT 06492  
 (203) 949-8400; (203) 949-8423.Fax  
 www.timesmicrowave.com

<b>SC-100-NF-BH</b> Type-N female Bulkhead for LMR-100 Cable		
Size A	CAGE CODE <b>68999</b>	Drawing No.: <b>3190-2244</b>

Scale: NA	Rev. (-)	Sheet: 1 of 1
-----------	----------	---------------