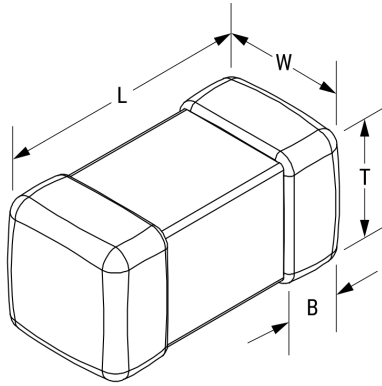


LO603C1N2SRMST

Aliases (LO603C1N2SRMST)

Obsolete

KEMET, L-RMS, RF, 0.0012 uH, +/-0.3 nH



Click [here](#) for the 3D model.

Dimensions

Chip Size	0603
L	1.6mm +/-0.15mm
W	0.8mm +/-0.15mm
T	0.8mm +/-0.15mm
LL	0.3mm +/-0.2mm
B	0.3mm +/-0.2mm

Packaging Specifications

Packaging	T&R
Packaging Quantity	4000

General Information

Series	L-RMS
Style	SMD Chip
Description	Surface Mount Inductor
RoHS	Yes
Core	Ceramic
Winding Type	Multilayer
Notes	Suggested Replacement - https://www.chilisin.com/en-global/Inductor/Product/BSCH_160808/BSCH001608081N2S00 .

Specifications

Inductance	0.0012 uH
Inductance Tolerance	+/-0.3 nH
Temperature Range	-40/+85°C
Current	300 mAmps (MAX)
DC Resistance	0.05 Ohms
Quality Factor	14 at 100 MHz, 40 at 500 MHz, 70 at 800 MHz, 90 at 1000 MHz
Self-Resonant Frequency	10000 MHz