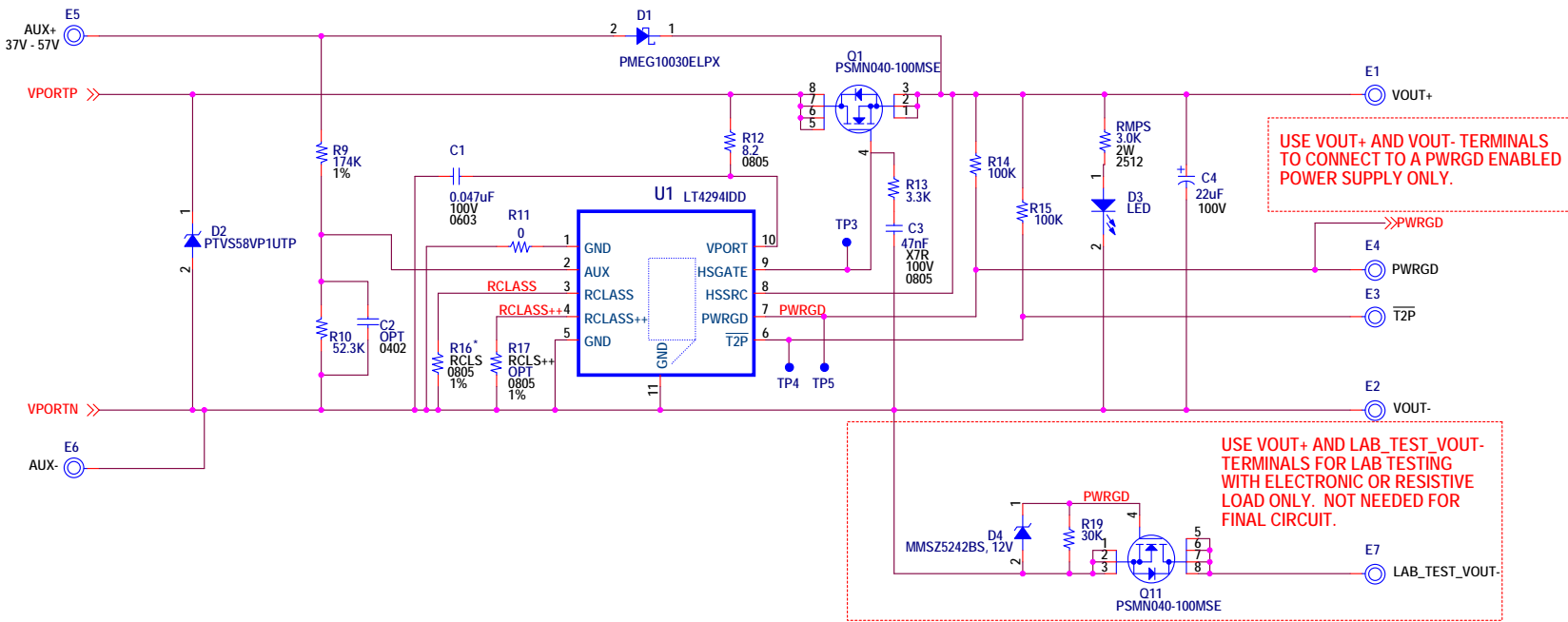
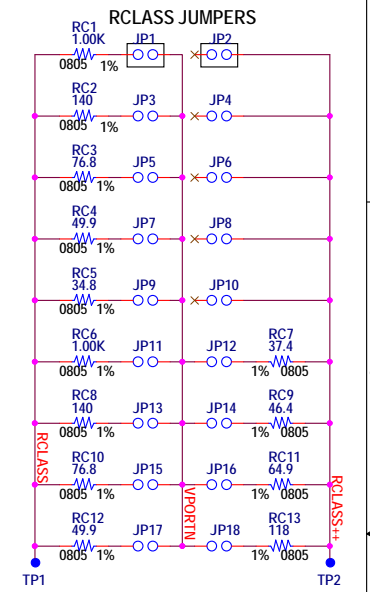


REVISION HISTORY				
ECO	REV	DESCRIPTION	APPROVED	DATE
-	2	PRODUCTION	KAUNG H.	05-24-17




USE VOUT+ AND VOUT- TERMINALS TO CONNECT TO A PWRGD ENABLED POWER SUPPLY ONLY.

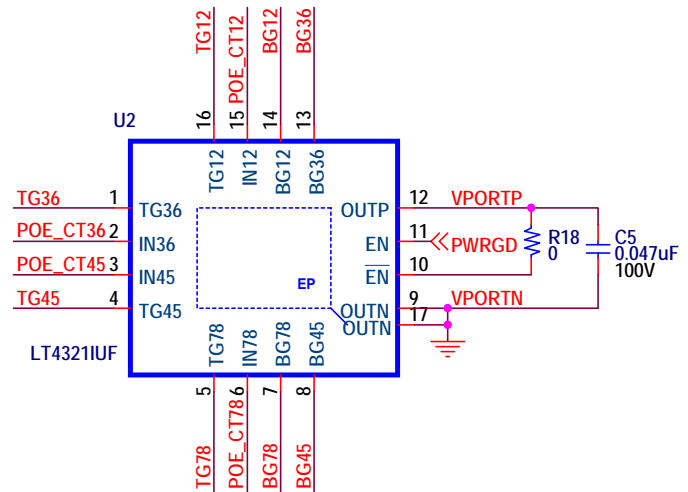
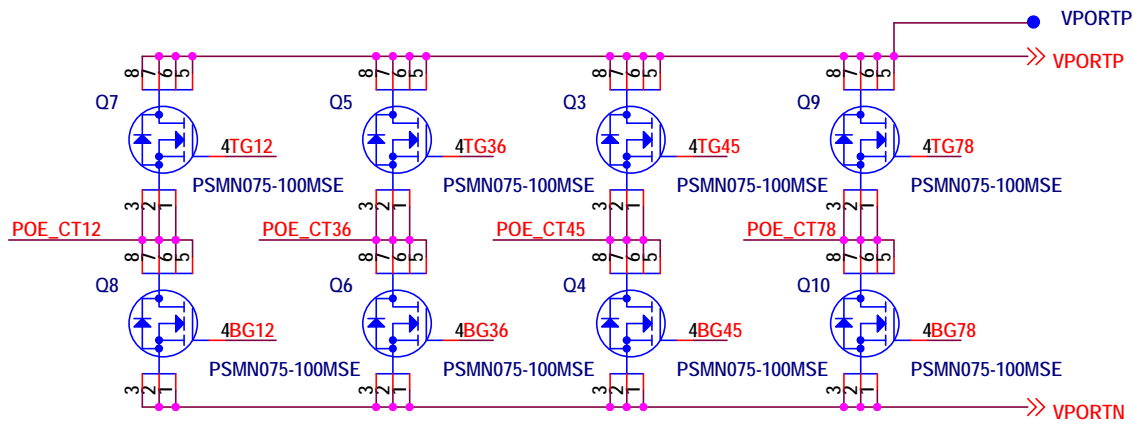
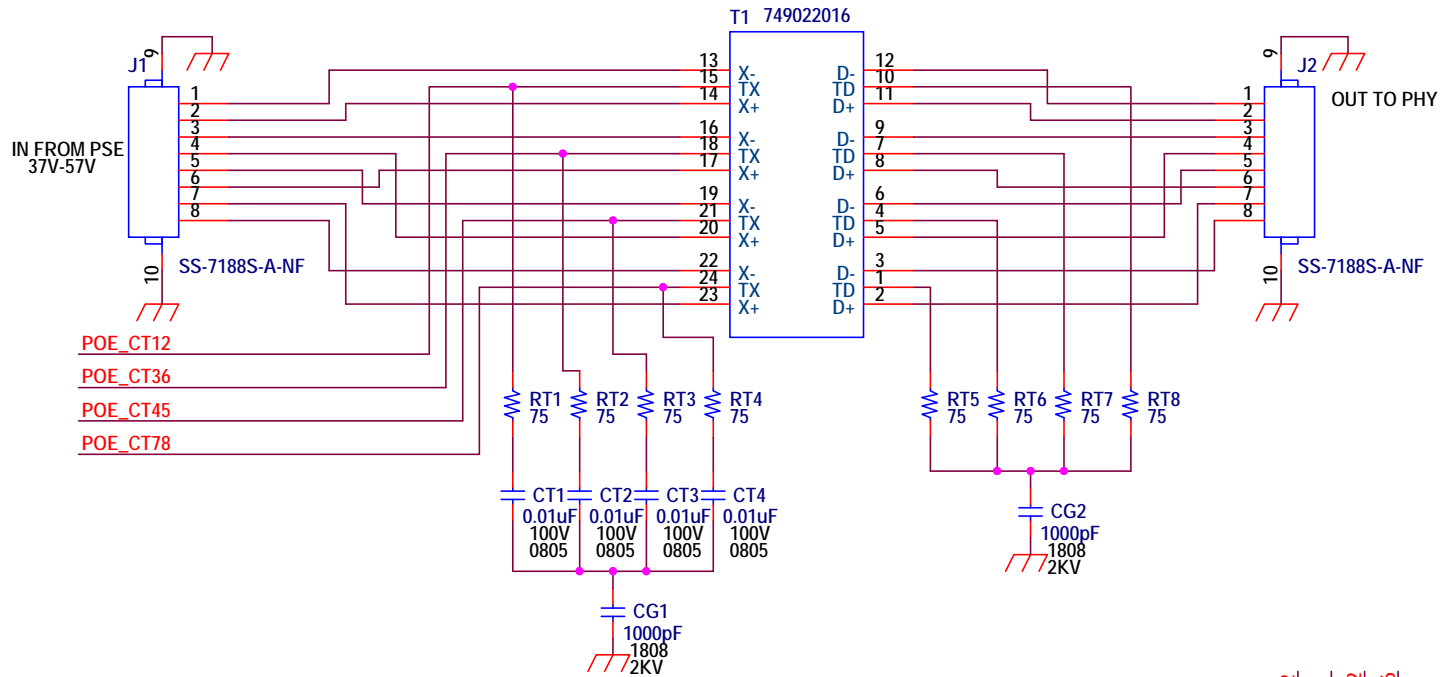
USE VOUT+ AND LAB\_TEST\_VOUT- TERMINALS FOR LAB TESTING WITH ELECTRONIC OR RESISTIVE LOAD ONLY. NOT NEEDED FOR FINAL CIRCUIT.



JUMPER SELECTIONS			
PD CLASS	POWER	RCLASS JUMPERS	
0	13W	JP1	JP2
1	3.84W	JP3	JP4
2	6.49W	JP5	JP6
3	13W	JP7	JP8
4	25.5W	JP9	JP10
5	40W	JP11	JP12
6	51W	JP13	JP14
7	62W	JP15	JP16
8	71W	JP17	JP18

NOTE 1: UNLESS OTHERWISE SPECIFIED  
 1. ALL RESISTORS AND CAPACITORS ARE 0603  
 2. ALL RESISTORS TOLERANCE RATING ARE 5%

CUSTOMER NOTICE		APPROVALS		 1630 McCarthy Blvd. Milpitas, CA 95035 Phone: (408)432-1900 www.linear.com Fax: (408)434-0507 LTC Confidential-For Customer Use Only
LINEAR TECHNOLOGY HAS MADE A BEST EFFORT TO DESIGN A CIRCUIT THAT MEETS CUSTOMER-SUPPLIED SPECIFICATIONS; HOWEVER, IT REMAINS THE CUSTOMER'S RESPONSIBILITY TO VERIFY PROPER AND RELIABLE OPERATION IN THE ACTUAL APPLICATION. COMPONENT SUBSTITUTION AND PRINTED CIRCUIT BOARD LAYOUT MAY SIGNIFICANTLY AFFECT CIRCUIT PERFORMANCE OR RELIABILITY. CONTACT LINEAR TECHNOLOGY APPLICATIONS ENGINEERING FOR ASSISTANCE.		PCB DES.	KAUNG H.	
THIS CIRCUIT IS PROPRIETARY TO LINEAR TECHNOLOGY AND SUPPLIED FOR USE WITH LINEAR TECHNOLOGY PARTS.		APP ENG.	KAUNG H.	
TITLE: SCHEMATIC <b>IEEE 802.3bt POWERED DEVICE</b>				
SIZE	N/A	IC NO.	LT4294IDD, LT4321IUF	
		DEMO CIRCUIT 2583A REV. 2		
DATE: Wednesday, May 31, 2017			SHEET 1 OF 2	



**NOTE 2: UNLESS OTHERWISE SPECIFIED**

1. ALL RESISTORS AND CAPACITORS ARE 0603
2. ALL RESISTORS TOLERANCE RATING ARE 5%

**CUSTOMER NOTICE**

LINEAR TECHNOLOGY HAS MADE A BEST EFFORT TO DESIGN A CIRCUIT THAT MEETS CUSTOMER-SUPPLIED SPECIFICATIONS; HOWEVER, IT REMAINS THE CUSTOMER'S RESPONSIBILITY TO VERIFY PROPER AND RELIABLE OPERATION IN THE ACTUAL APPLICATION. COMPONENT SUBSTITUTION AND PRINTED CIRCUIT BOARD LAYOUT MAY SIGNIFICANTLY AFFECT CIRCUIT PERFORMANCE OR RELIABILITY. CONTACT LINEAR TECHNOLOGY APPLICATIONS ENGINEERING FOR ASSISTANCE.

THIS CIRCUIT IS PROPRIETARY TO LINEAR TECHNOLOGY AND SUPPLIED FOR USE WITH LINEAR TECHNOLOGY PARTS.

**APPROVALS**

PCB DES.	KAUNG H.
APP ENG.	KAUNG H.
SCALE = NONE	



1630 McCarthy Blvd.  
 Milpitas, CA 95035  
 Phone: (408)432-1900 www.linear.com  
 Fax: (408)434-0507  
 LTC Confidential-For Customer Use Only

TITLE: SCHEMATIC

**IEEE 802.3bt POWERED DEVICE**

SIZE	IC NO.	LT4294IDD, LT4321IUF	REV.
N/A		DEMO CIRCUIT 2583A	2
DATE:		Wednesday, May 31, 2017	SHEET 2 OF 2