

6

5

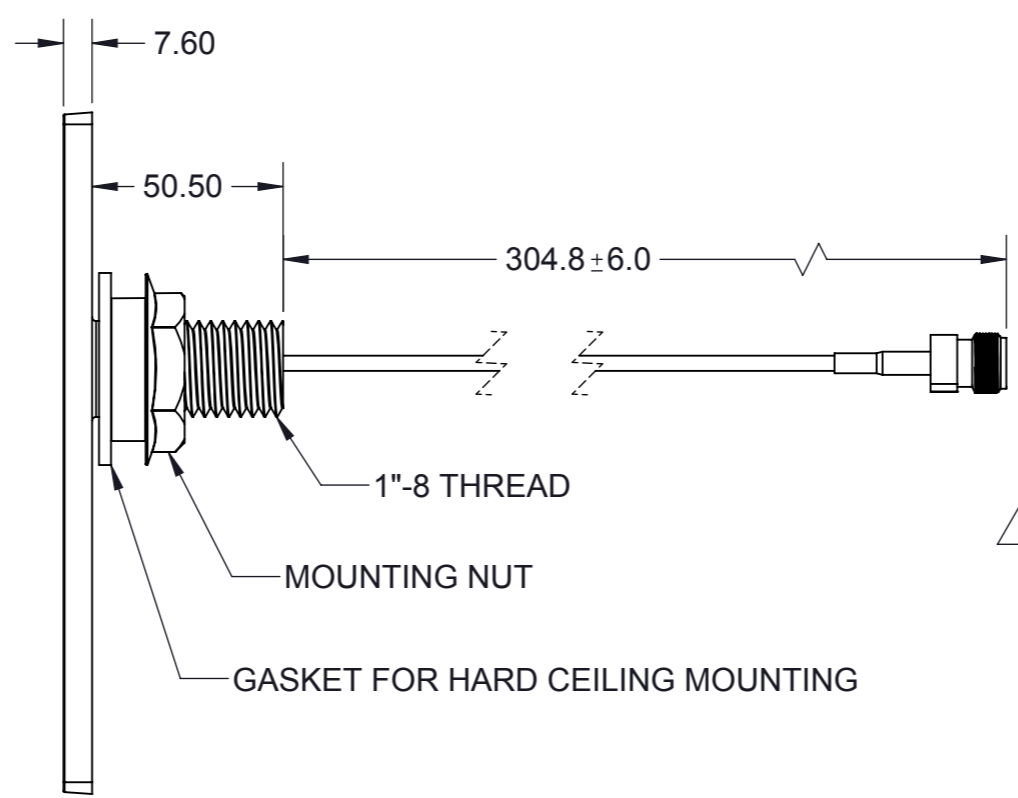
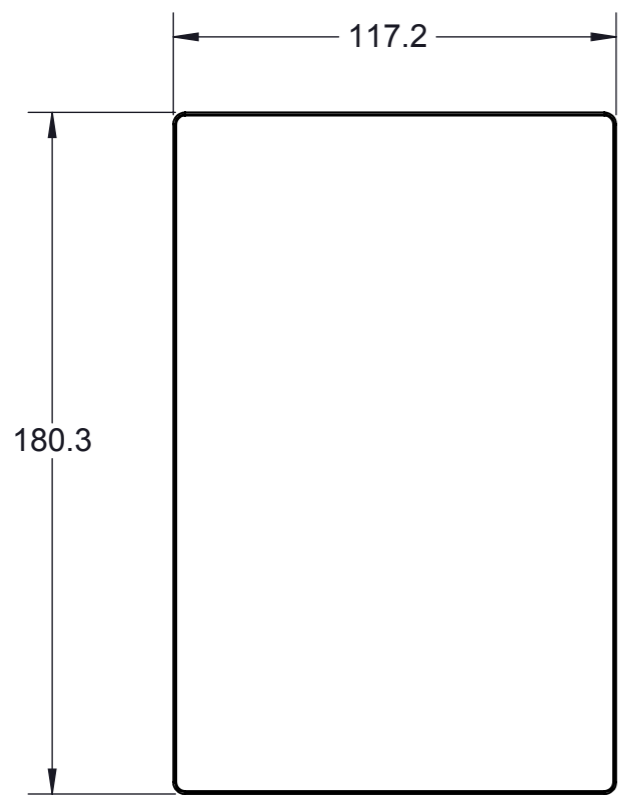
4

3

2

1

REVISIONS					
REV.	ECN#	ZONE	DESCRIPTION	CHANGED BY/DATE	APPROVED BY/DATE
F01	ECN-IAS-05333		NEW RELEASE	CYH / 04MAY16	WTN / 04MAY16
F02	ECN-IAS-05523		UPDATE PEAK GAIN AND VSWR; CHANGE HOUSING MATERIAL FROM PC+ABS TO PC	CYH / 17JUN16	WTN / 17JUN16



Parameter	Performance
Laird Part Number	CFS60383P-30NF
Frequency	600-960MHz 1350-1550MHz 1690-2700MHz 3300-3800MHz
Peak Gain (Typical/Max) (dBi)	2.9/3.5 @600-698MHz 3.3/3.6 @698-806MHz 3.5/3.6 @824-894MHz 4.6/5.4 @880-960MHz 4.1/5.2 @1350-1550MHz 3.9/4.4 @1690-1880MHz 3.8/4.1 @1850-1990MHz 4.6/5.3 @1910-2170MHz 5.8/6.3 @2300-2500MHz 6.8/7.1 @2500-2700MHz 4.1/4.4 @3300-3800MHz
Polarization	Horizontal
VSWR, Max	<1.8:1 (600-960MHz 1350-1550MHz 1690-2700MHz) <2.0:1 (3300-3800MHz)
PIM (3rd Order, 2x20W), Max	<-150dBc
Azimuth Beam Width	360°, Omnidirectional
Nominal Impedance	50 Ohm
Max Power (Ambient 25°C/77°F)	50W
Weight	181g(0.4lbs) without mounting kit
Radome	PC, UL94-V0
Color	White
Operating Temperature	-30°C ~ +70°C
Storage Temperature	-40°C ~ +85°C
RoHS Compliance	Yes
RF Connector	Type N, Female
Cable Length	304.8mm(1ft)

F02

F02

F02

MATERIAL:		THIRD ANGLE PROJECTION
FINISH:		
APPROVALS		DO NOT SCALE DRAWING
DRAWN BY	DATE	<small>INTERPRET DIMENSIONING AND TOLERANCING IN ACCORDANCE WITH ASME Y14.5M-2009</small> <small>TOLERANCES UNLESS OTHERWISE SPECIFIED</small> <small>DIMENSIONS ARE IN MILLIMETERS</small>
ELEC. ENG.	DATE	
MECH. ENG.	DATE	
MFG./OPS.	DATE	
		<small>ANGLE: ±30'</small> <small>0 PLACE DECIMAL: ±0.5</small> <small>1 PLACE DECIMAL: ±0.25</small> <small>2 PLACE DECIMAL: ±0.13</small> <small>SURFACE ROUGHNESS 1.6/√</small>

TITLE: CFS60383P-30NF
MOUNTING & OUTLINE

SIZE	DWG. NO.	REV
A3	CFS60383P-30NFMO	F02
SCALE: 1:5	PREVIOUS#	SHEET 1 OF 1

UNLESS OTHERWISE NOTED, THIS DOCUMENT CONTAINS LAIRD TECHNOLOGIES CONFIDENTIAL INFORMATION. REPRODUCTION, USE, DISCLOSURE OR TRANSMITTAL OF ALL OR ANY PART OF THIS DOCUMENT IS PROHIBITED EXCEPT TO THE EXTENT APPROVED IN WRITING BY AN AUTHORIZED REPRESENTATIVE OF LAIRD TECHNOLOGIES. LAIRD TECHNOLOGIES RESERVES ALL RIGHTS UNDER PATENTS, TRADEMARKS, COPYRIGHTS AND TRADE SECRETS. COPYRIGHT, LAIRD TECHNOLOGIES 2014, ALL RIGHTS RESERVED.