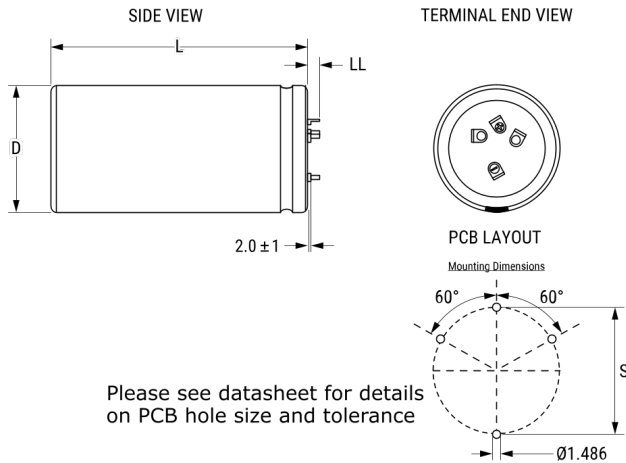


ALF20C471DD350

Aliases (A533EF471M350C)

ALF20, Aluminum Electrolytic, 470 uF, 20%, 350 VDC, -40/+85°C



Click [here](#) for the 3D model.

Dimensions

| | |
|----|--------------------|
| D | 35mm +1mm |
| L | 40mm +/-2mm |
| S | 22.5mm +/-0.1mm |
| LL | 5.5mm +/-1mm |
| F | 1.486mm +/-0.076mm |

Packaging Specifications

| | |
|--------------------|------|
| Packaging | Bulk |
| Packaging Quantity | 100 |

General Information

| | |
|------------------|----------------------------------|
| Series | ALF20 |
| Dielectric | Aluminum Electrolytic |
| Style | Press-Fit |
| Description | Press-Fit, Aluminum Electrolytic |
| RoHS | Yes |
| Lead | 4 Pin Press-Fit |
| AEC-Q200 | No |
| Component Weight | 55 g |
| Notes | Dimensions Include Slewing. |
| Shelf Life | 156 Weeks |

Specifications

| | |
|-----------------------|---|
| Capacitance | 470 uF |
| Capacitance Tolerance | 20% |
| Voltage DC | 350 VDC, 385 VDC (Surge) |
| Temperature Range | -40/+85°C |
| Rated Temperature | 85°C |
| Life | 15000 Hrs (Rated Voltage And Ripple Current At 85C), 24000 Hrs (Rated Voltage at 85C) |
| Resistance | 321 mOhms (100Hz 20C), 216 mOhms (10kHz 20C) |
| Ripple Current | 2.07 Amps (100Hz 85C), 3.47 Amps (10kHz 85C) |
| Leakage Current | 987 uA (5min 20°C) |