



LED module with integrated LED 6-24 V AC/DC, green, screw terminal, for front plate mounting, Z=50-unit packaging

<b>product brand name</b>	SIRIUS ACT
<b>product designation</b>	LED module
<b>product type designation</b>	3SU1
<b>General technical data</b>	
<b>product component</b>	
• diode	Yes
• lamp transformer	No
• light source	Yes
• series resistor	No
insulation voltage rated value	320 V
<b>degree of pollution</b>	3
type of voltage of the operating voltage	AC/DC
• for actuation	AC/DC
<b>surge voltage resistance rated value</b>	4 kV
consumed current maximum	30 mA
protection class IP	
• of the enclosure	IP40
• of the terminal	IP20
<b>shock resistance</b>	
• according to IEC 60068-2-27	sinusoidal half-wave 15g / 11 ms
• for railway applications according to EN 61373	Category 1, Class B
<b>vibration resistance</b>	
• according to IEC 60068-2-6	10 ... 500 Hz: 5g
• for railway applications according to EN 61373	Category 1, Class B
<b>operating period typical</b>	100 000 h
<b>reference code according to IEC 81346-2</b>	P
<b>Substance Prohibitance (Date)</b>	03/01/2017
<b>operating voltage</b>	
• at AC	
— at 50 Hz rated value	6 ... 24 V
— at 60 Hz rated value	6 ... 24 V
• at DC rated value	6 ... 24 V
<b>relative positive tolerance of the operating voltage</b>	20 %
<b>relative negative tolerance of the operating voltage</b>	20 %
<b>Control circuit/ Control</b>	
<b>inrush current maximum</b>	2 A
<b>Connections/ Terminals</b>	
<b>type of electrical connection</b>	screw-type terminals
<b>type of connectable conductor cross-sections</b>	

<ul style="list-style-type: none"> <li>• solid with core end processing</li> </ul>	2x (0.5 ... 0.75 mm <sup>2</sup> )
<ul style="list-style-type: none"> <li>• solid without core end processing</li> </ul>	2x (1.0 ... 1.5 mm <sup>2</sup> )
<ul style="list-style-type: none"> <li>• finely stranded with core end processing</li> </ul>	2x (0.5 ... 1.5 mm <sup>2</sup> )
<ul style="list-style-type: none"> <li>• finely stranded without core end processing</li> </ul>	2x (1,0 ... 1,5 mm <sup>2</sup> )
<ul style="list-style-type: none"> <li>• at AWG cables</li> </ul>	2x (18 ... 14)
tightening torque with screw-type terminals	0.8 ... 0.9 N·m

#### Lamp

type of light source	LED
color of the light source	green
light intensity	900 ... 1 400 mcd
certificate of suitability	
<ul style="list-style-type: none"> <li>• ATEX</li> </ul>	No
<ul style="list-style-type: none"> <li>• IECEx</li> </ul>	No

#### Ambient conditions

ambient temperature	
<ul style="list-style-type: none"> <li>• during operation</li> </ul>	-25 ... +70 °C
<ul style="list-style-type: none"> <li>• during storage</li> </ul>	-40 ... +80 °C
environmental category during operation according to IEC 60721	3M6, 3S2, 3B2, 3C3, 3K6 (with relative air humidity of 10 ... 95%, no condensation in operation permitted)

#### Installation/ mounting/ dimensions

fastening method	
<ul style="list-style-type: none"> <li>• of modules and accessories</li> </ul>	Front plate mounting
height	33.2 mm
width	9.8 mm
depth	29.4 mm
suitability for integration	
<ul style="list-style-type: none"> <li>• plastic enclosure</li> </ul>	Yes
<ul style="list-style-type: none"> <li>• metal enclosure</li> </ul>	Yes

#### Certificates/ approvals

#### Further information

Information- and Downloadcenter (Catalogs, Brochures,...)

<https://www.siemens.com/ic10>

Industry Mall (Online ordering system)

<https://mall.industry.siemens.com/mall/en/en/Catalog/product?mlfb=3SU1401-1BG40-1AA0-Z X90>

Cax online generator

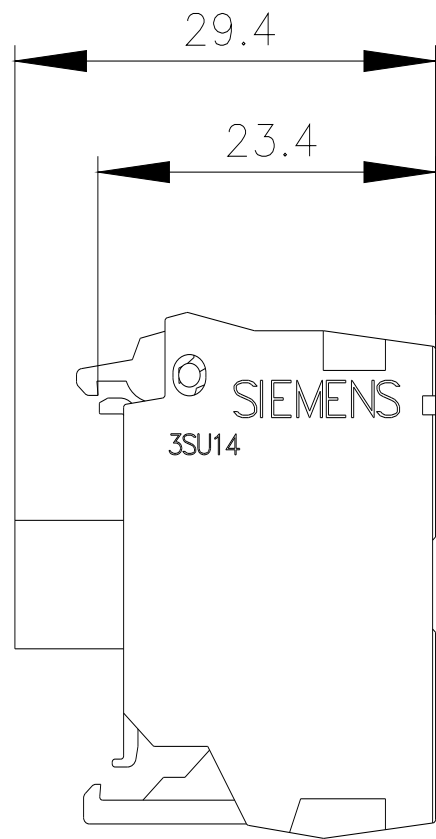
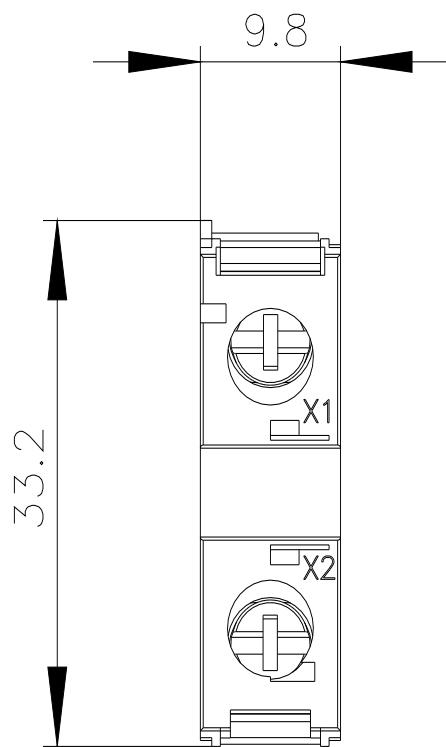
<http://support.automation.siemens.com/WW/CAXorder/default.aspx?lang=en&mlfb=3SU1401-1BG40-1AA0-Z X90>

Service&Support (Manuals, Certificates, Characteristics, FAQs,...)

<https://support.industry.siemens.com/cs/ww/en/ps/3SU1401-1BG40-1AA0-Z X90>

Image database (product images, 2D dimension drawings, 3D models, device circuit diagrams, EPLAN macros, ...)

[http://www.automation.siemens.com/bilddb/cax\\_de.aspx?mlfb=3SU1401-1BG40-1AA0-Z X90&lang=en](http://www.automation.siemens.com/bilddb/cax_de.aspx?mlfb=3SU1401-1BG40-1AA0-Z X90&lang=en)



last modified:

3/9/2022 