

Bus coupler - AXL F BK SAS - 2701457

Please be informed that the data shown in this PDF Document is generated from our Online Catalog. Please find the complete data in the user's documentation. Our General Terms of Use for Downloads are valid (<http://phoenixcontact.com/download>)



Axioline F, Bus coupler, Ethernet (IEC 61850, MMS, GOOSE), RJ45 socket, transmission speed in the local bus: 100 Mbps, degree of protection: IP20, including bus base module and Axioline F connector

Product Description

Up to 63 Axioline F devices can be connected to the bus coupler.


Your advantages

- 2 RJ45 connections
- Transmission speed of 100 Mbps
- Rotary encoding switch
- Supports IEC 61850, MMS, and GOOSE
- BootP and DHCP



Ethernet IEC 61850 COMPLIANT

Key Commercial Data

Packing unit	1 pc
GTIN	 4 046356 753982
GTIN	4046356753982

Technical data

Dimensions

Width	45 mm
Height	126.1 mm
Depth	74 mm
Note on dimensions	The depth is valid when a TH 35-7,5 DIN rail is used (according to EN 60715).

Ambient conditions

Ambient temperature (operation)	-25 °C ... 60 °C (Mounting position: wall mounting on horizontal DIN rail)
	-25 °C ... 55 °C (Mounting position: any)
Ambient temperature (storage/transport)	-40 °C ... 85 °C

Bus coupler - AXL F BK SAS - 2701457

Technical data

Ambient conditions

Permissible humidity (operation)	5 % ... 95 % (non-condensing)
Permissible humidity (storage/transport)	5 % ... 95 % (non-condensing)
Air pressure (operation)	70 kPa ... 106 kPa (up to 3000 m above sea level)
Air pressure (storage/transport)	70 kPa ... 106 kPa (up to 3000 m above sea level)
Degree of protection	IP20

Connection data

Designation	Axioline F connector
Connection method	Push-in connection
Note on the connection method	Please observe the information provided on conductor cross sections in the "Axioline F: system and installation" user manual.
Conductor cross section solid min.	0.2 mm ²
Conductor cross section solid max.	1.5 mm ²
Conductor cross section flexible min.	0.2 mm ²
Conductor cross section flexible max.	1.5 mm ²
Conductor cross section AWG min.	24
Conductor cross section AWG max.	16
Stripping length	8 mm

General

Mounting type	DIN rail
Net weight	177 g
Note on weight specifications	with connector and bus base module

Interfaces

Designation	Ethernet (IEC 61850, MMS, GOOSE)
No. of channels	2
Connection method	RJ45 socket
Note on the connection method	Auto negotiation and autocrossing
Transmission speed	100 Mbps (Full duplex)
Transmission physics	Ethernet in RJ45 twisted pair
Designation	Axioline F local bus
Connection method	Bus base module
Transmission speed	100 Mbps
Designation	Service
Connection method	Micro USB type B

System limits of the bus coupler

Number of supported devices	max. 63 (per station)
Number of local bus devices that can be connected	max. 63

Axioline potentials

Designation	Communications power U_L feed-in (the supply of the Axioline F local bus U_{Bus} is generated from U_L)
-------------	--

Bus coupler - AXL F BK SAS - 2701457

Technical data

Axioline potentials

Supply voltage	24 V DC
Supply voltage range	19.2 V DC ... 30 V DC (including all tolerances, including ripple)
Current consumption	max. 570 mA (with 2 A at U_{Bus} for the I/Os and $U_L = 24$ V)
Power consumption	max. 13.7 W (with 2 A load at U_{Bus} for the I/Os)
Designation	Axioline F local bus supply (U_{Bus})
Supply voltage	5 V DC (via bus base module)
Power supply unit	2 A
Type of protection	Surge protection of the supply voltage
	Polarity reversal protection of the supply voltage

Standards and Regulations

Mechanical tests	Vibration resistance in acc. with EN 60068-2-6/IEC 60068-2-6 5g
	Shock in acc. with EN 60068-2-27/IEC 60068-2-27 30g
	Continuous shock according to EN 60068-2-27/IEC 60068-2-27 10g
Protection class	III, IEC 61140, EN 61140, VDE 0140-1

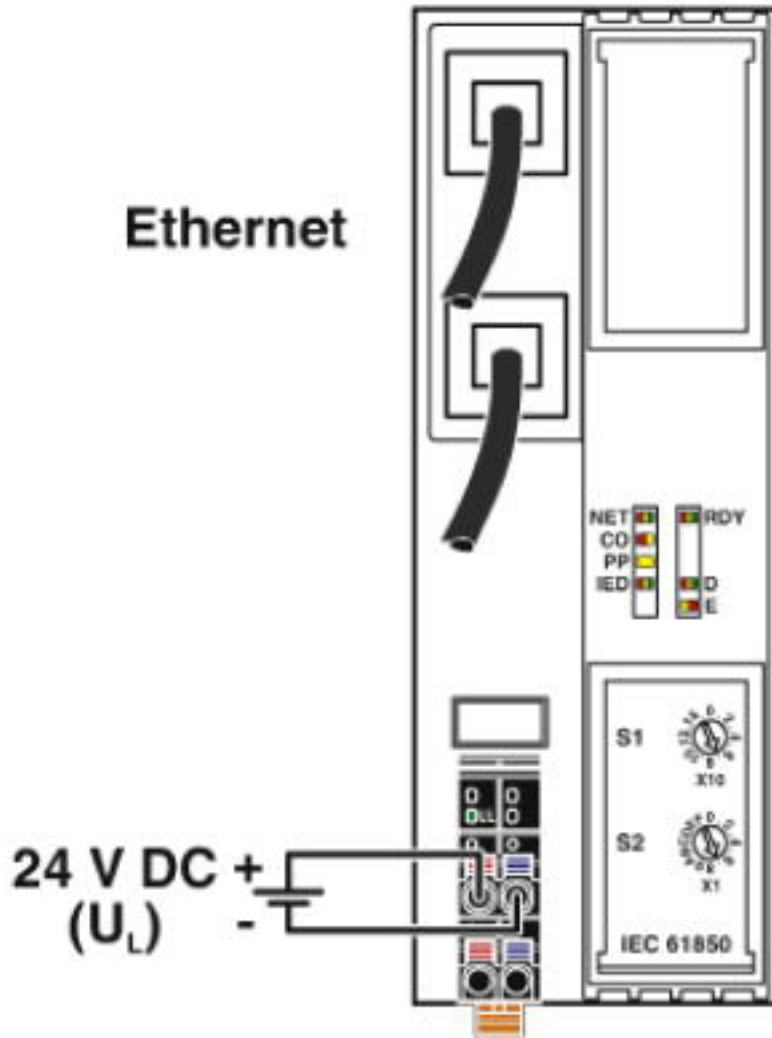
Environmental Product Compliance

REACH SVHC	Lead 7439-92-1
China RoHS	Environmentally friendly use period: unlimited = EFUP-e
	No hazardous substances above threshold values

Drawings

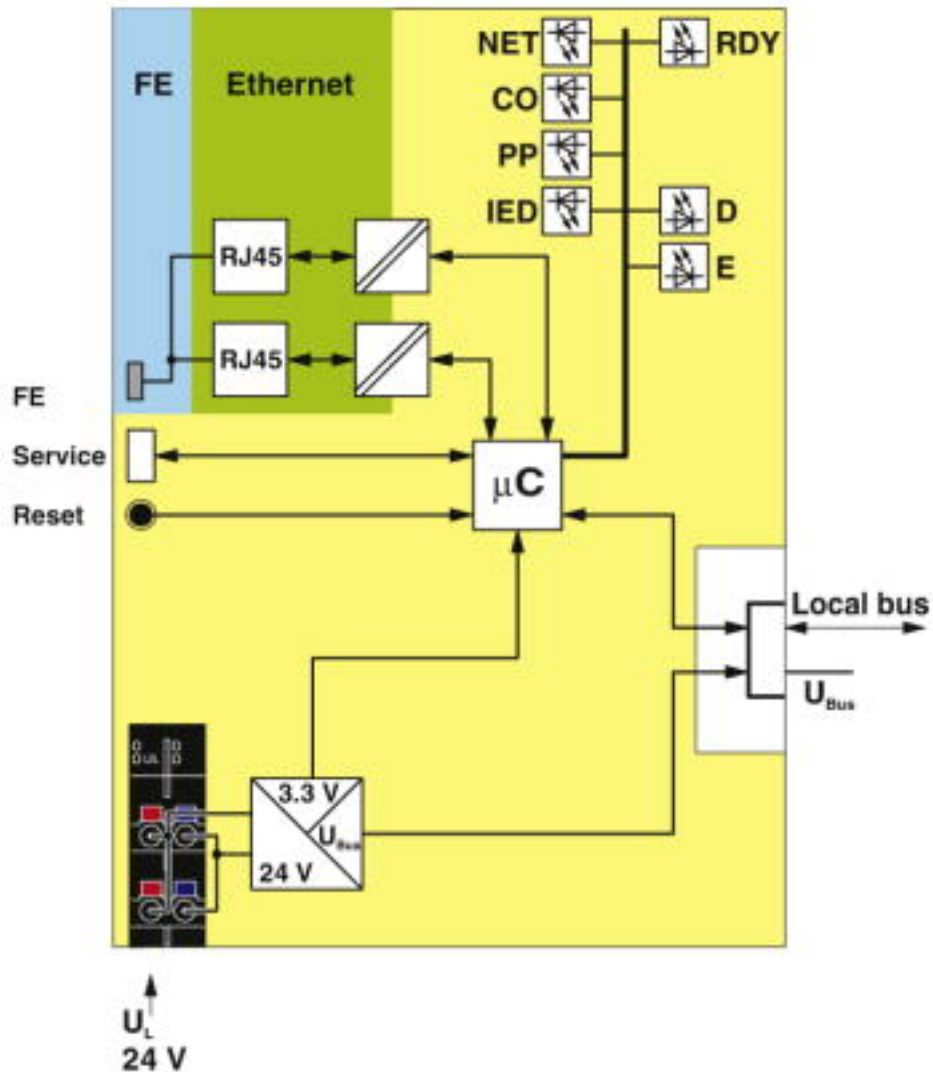
Bus coupler - AXL F BK SAS - 2701457

Connection diagram



Bus coupler - AXL F BK SAS - 2701457

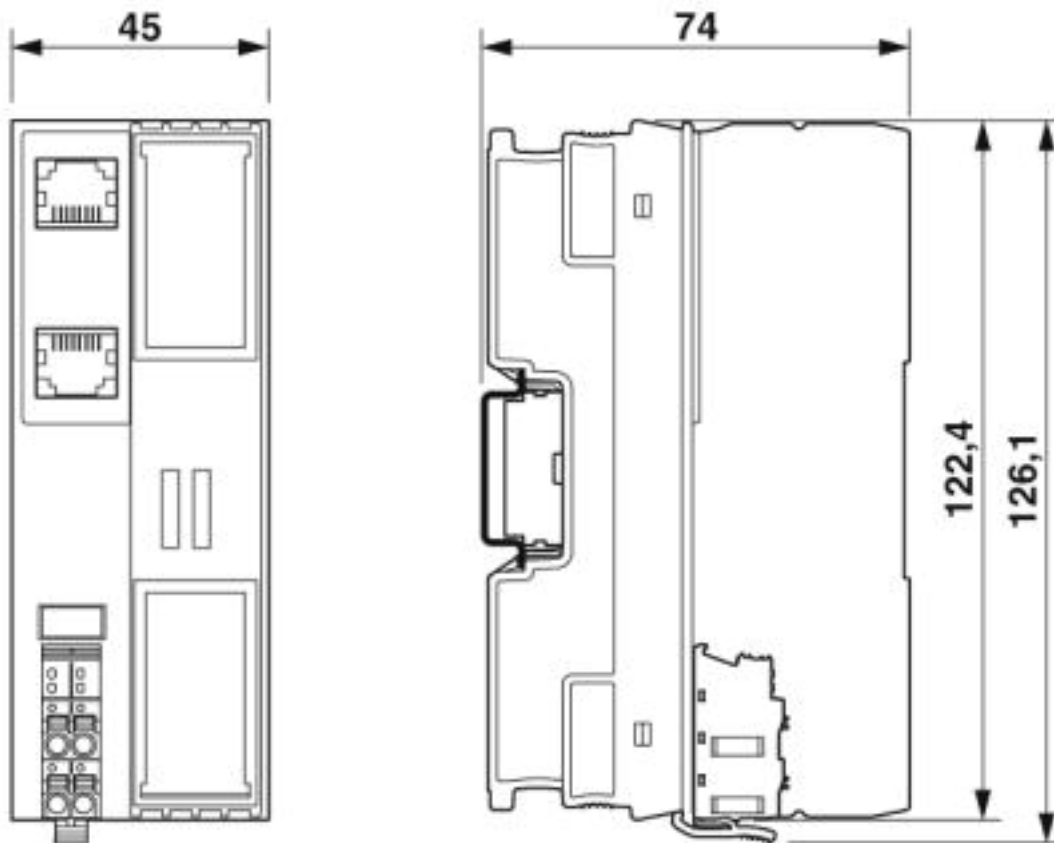
Block diagram



Internal wiring of the terminal points

Bus coupler - AXL F BK SAS - 2701457

Dimensional drawing



Approvals

Approvals

Approvals

DNV GL / KR / NK / ABS / BSH / RINA / UL Listed / cUL Listed / LR / PRS / BV / cULus Listed

Ex Approvals

Approval details

DNV GL		https://approvalfinder.dnvgl.com/	TAA00000DF
--------	--	---	------------

KR		http://www.krs.co.kr/eng/main/main.aspx	HMB17372-AC002
----	--	---	----------------

Bus coupler - AXL F BK SAS - 2701457

Approvals

NK		http://www.classnk.or.jp/hp/en/	14A006
ABS		http://www.eagle.org/eagleExternalPortalWEB/	18-HG1767360-PDA
BSH		http://www.bsh.de/de/index.jsp	840
RINA		http://www.rina.org/en	ELE256518XG
UL Listed		http://database.ul.com/cgi-bin/XYV/template/LISEXT/1FRAME/index.htm	FILE E 238705
cUL Listed		http://database.ul.com/cgi-bin/XYV/template/LISEXT/1FRAME/index.htm	FILE E 238705
LR		http://www.lr.org/en	14-20019
PRS		http://www.prs.pl/	TE/2239/880590/19
BV		http://www.veristar.com/portal/veristarinfo/generalinfo/approved/approvedProducts/equipmentAndMaterials	36433/B0 BV
cULus Listed			

Phoenix Contact 2019 © - all rights reserved
<http://www.phoenixcontact.com>

PHOENIX CONTACT GmbH & Co. KG
Flachmarktstr. 8
32825 Blomberg
Germany
Tel. +49 5235 300
Fax +49 5235 3 41200
<http://www.phoenixcontact.com>