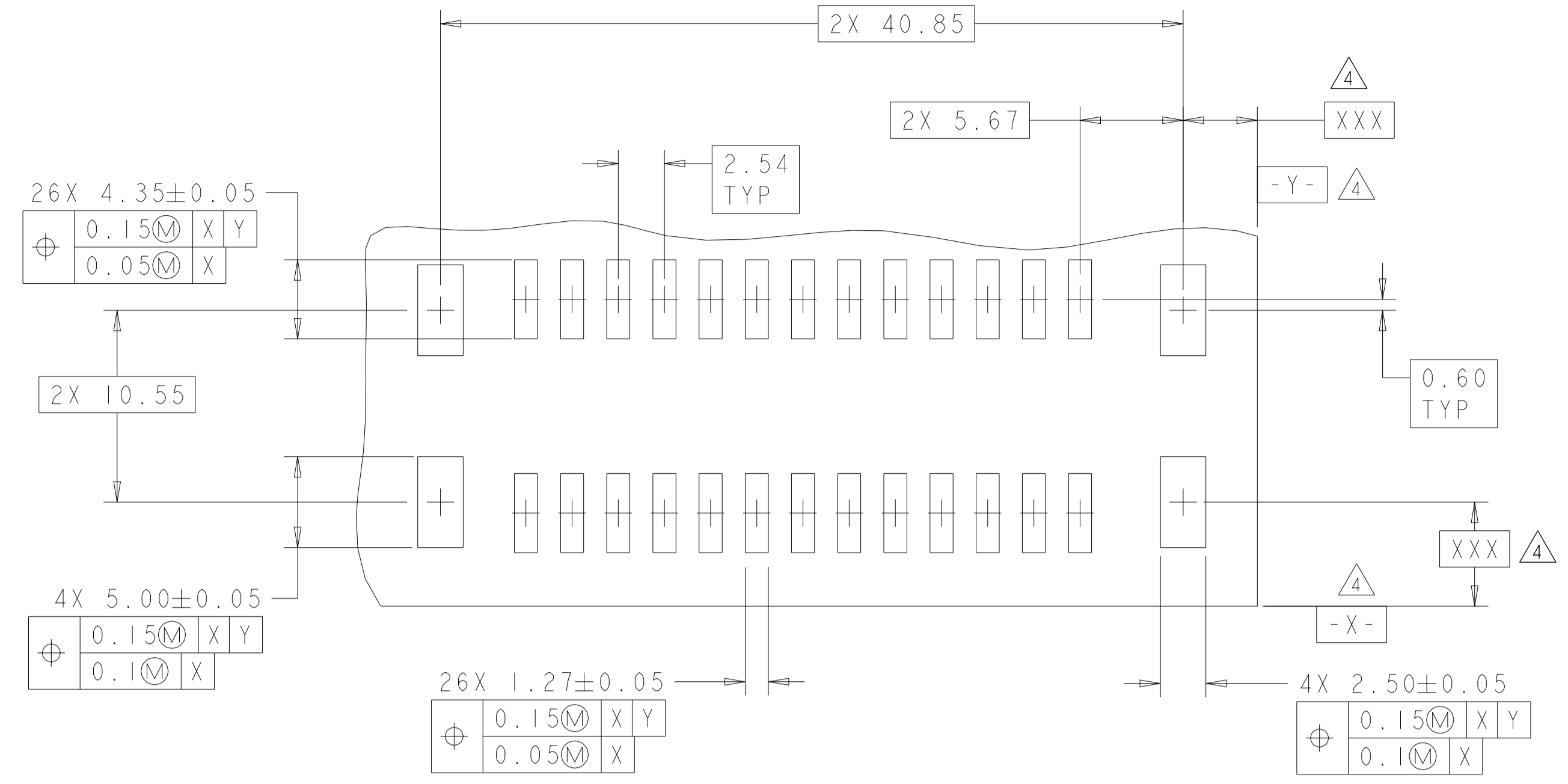
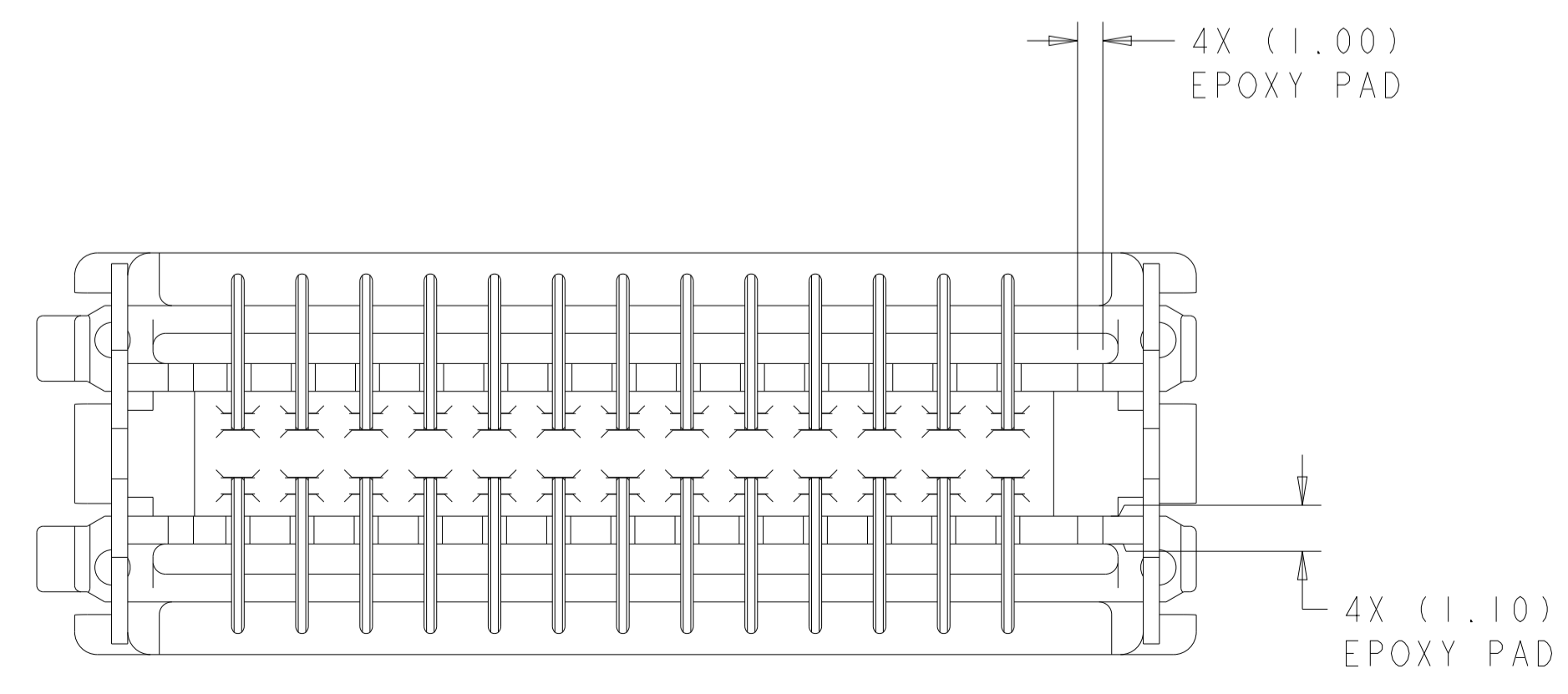
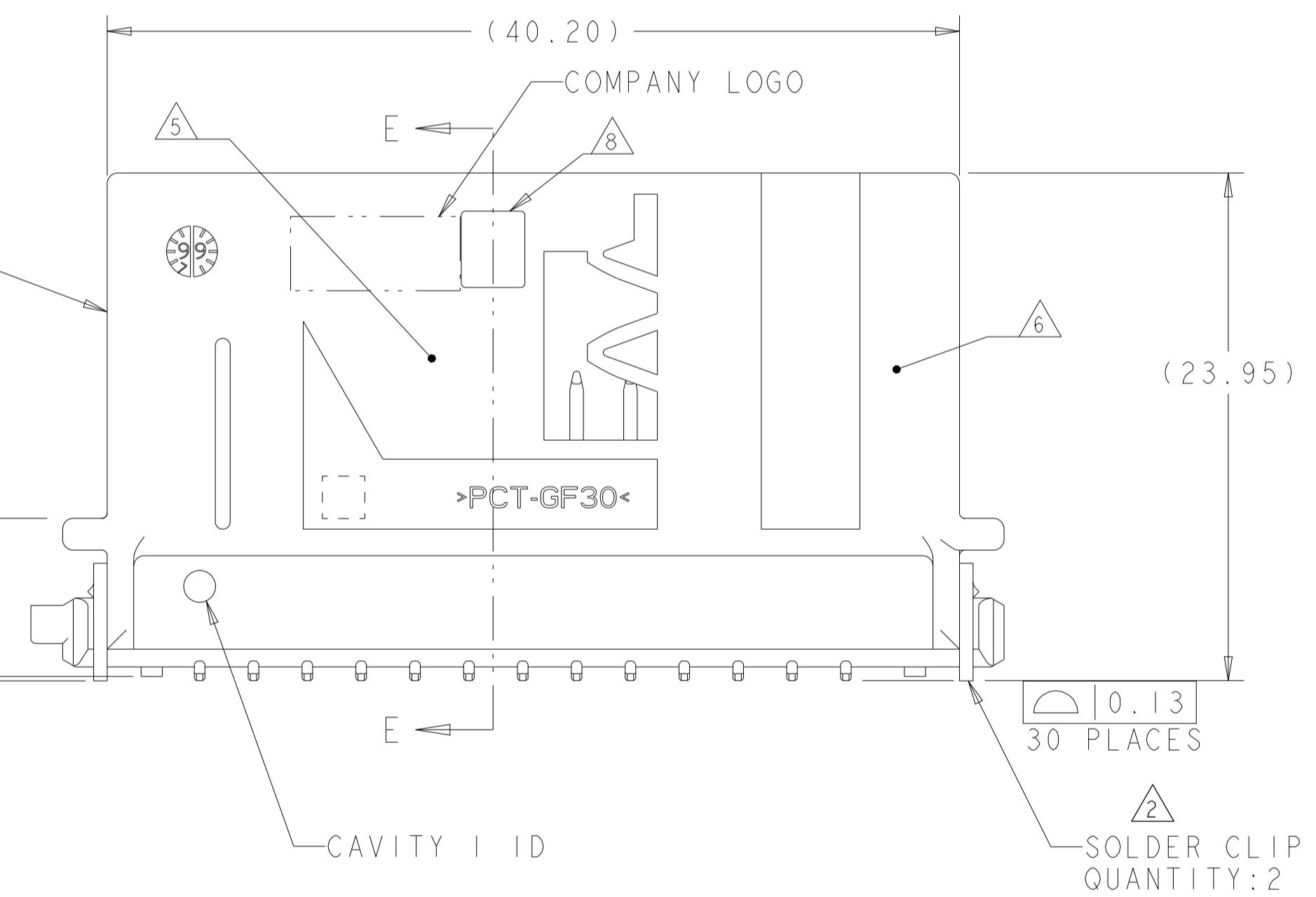
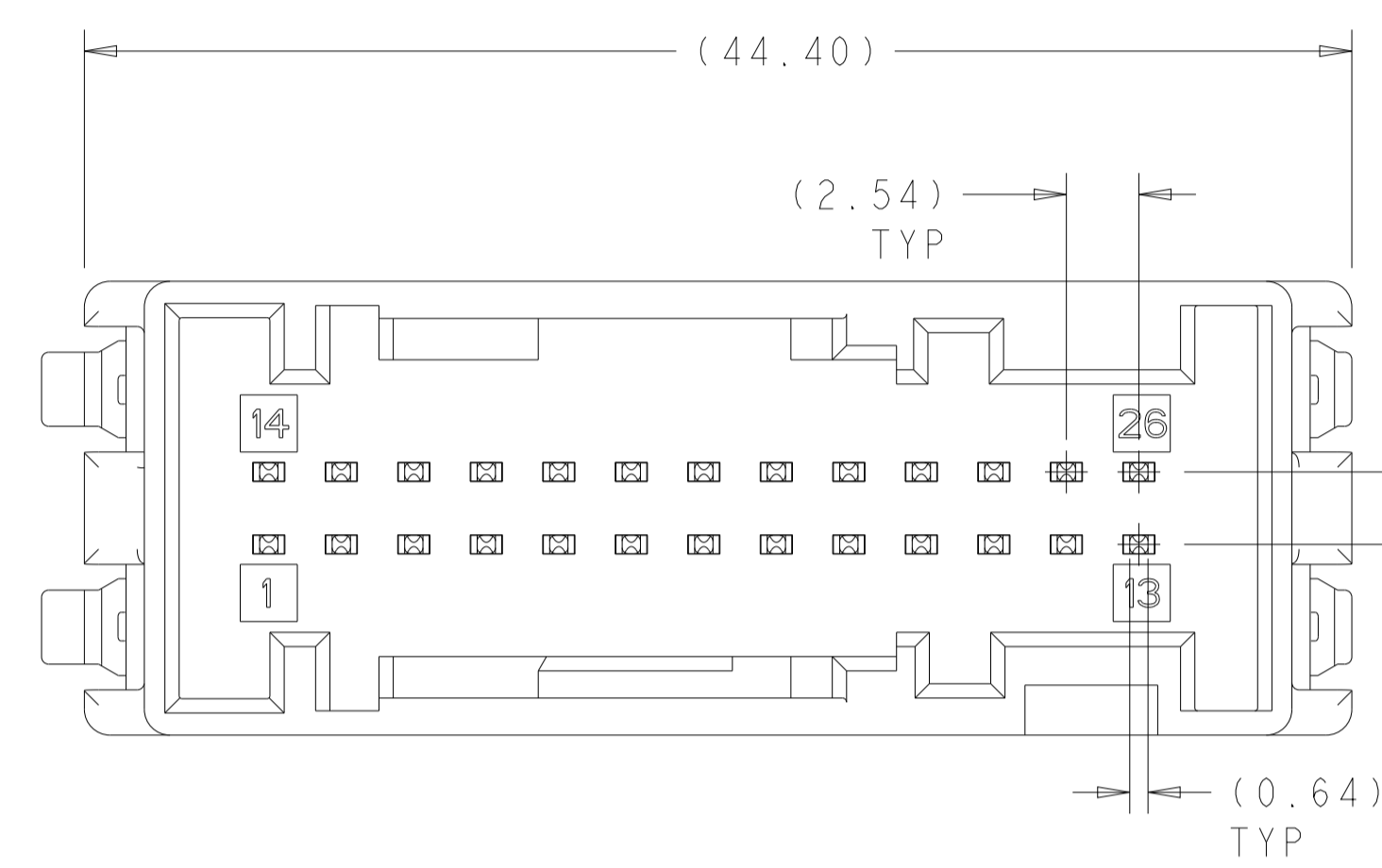
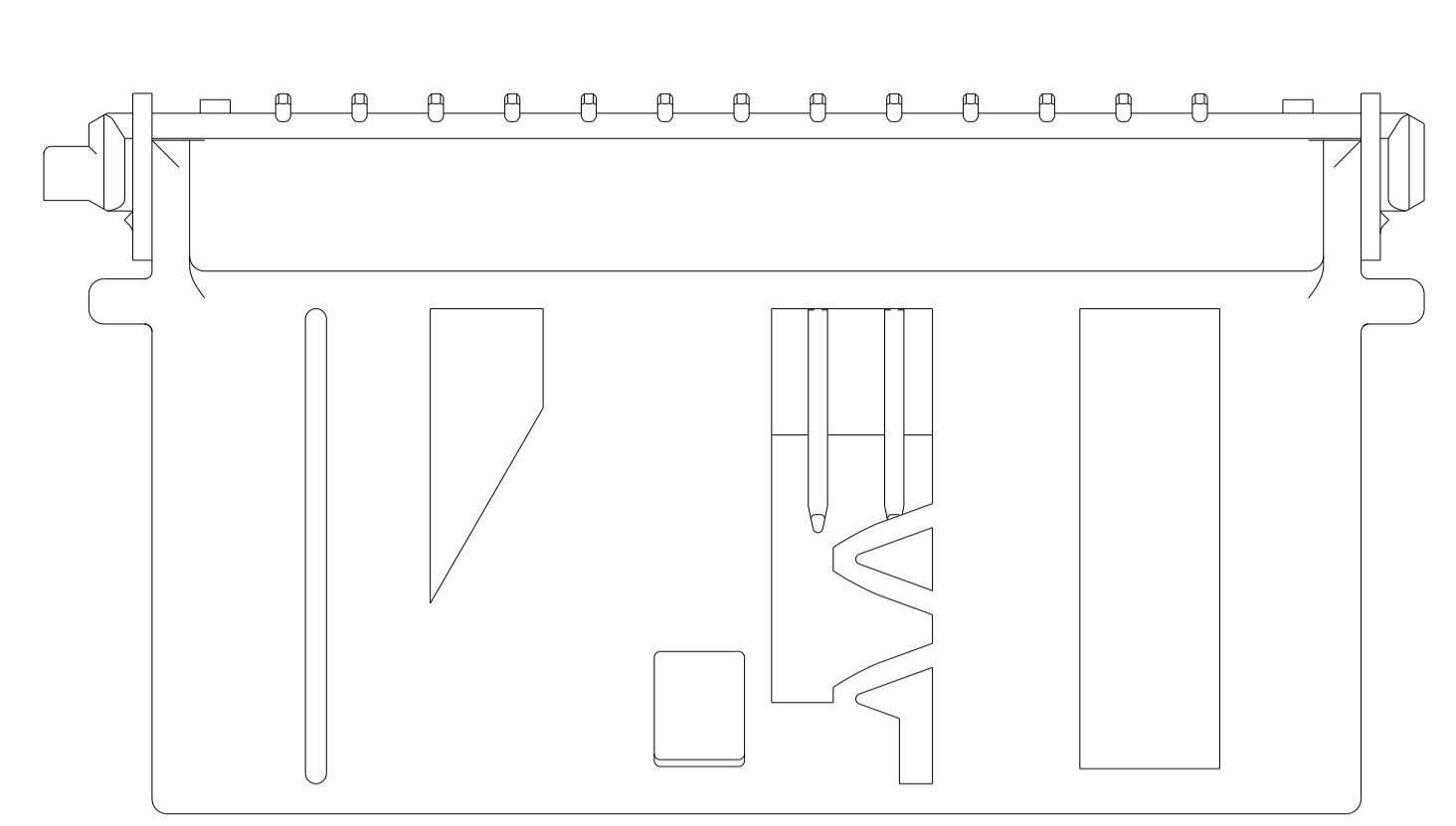
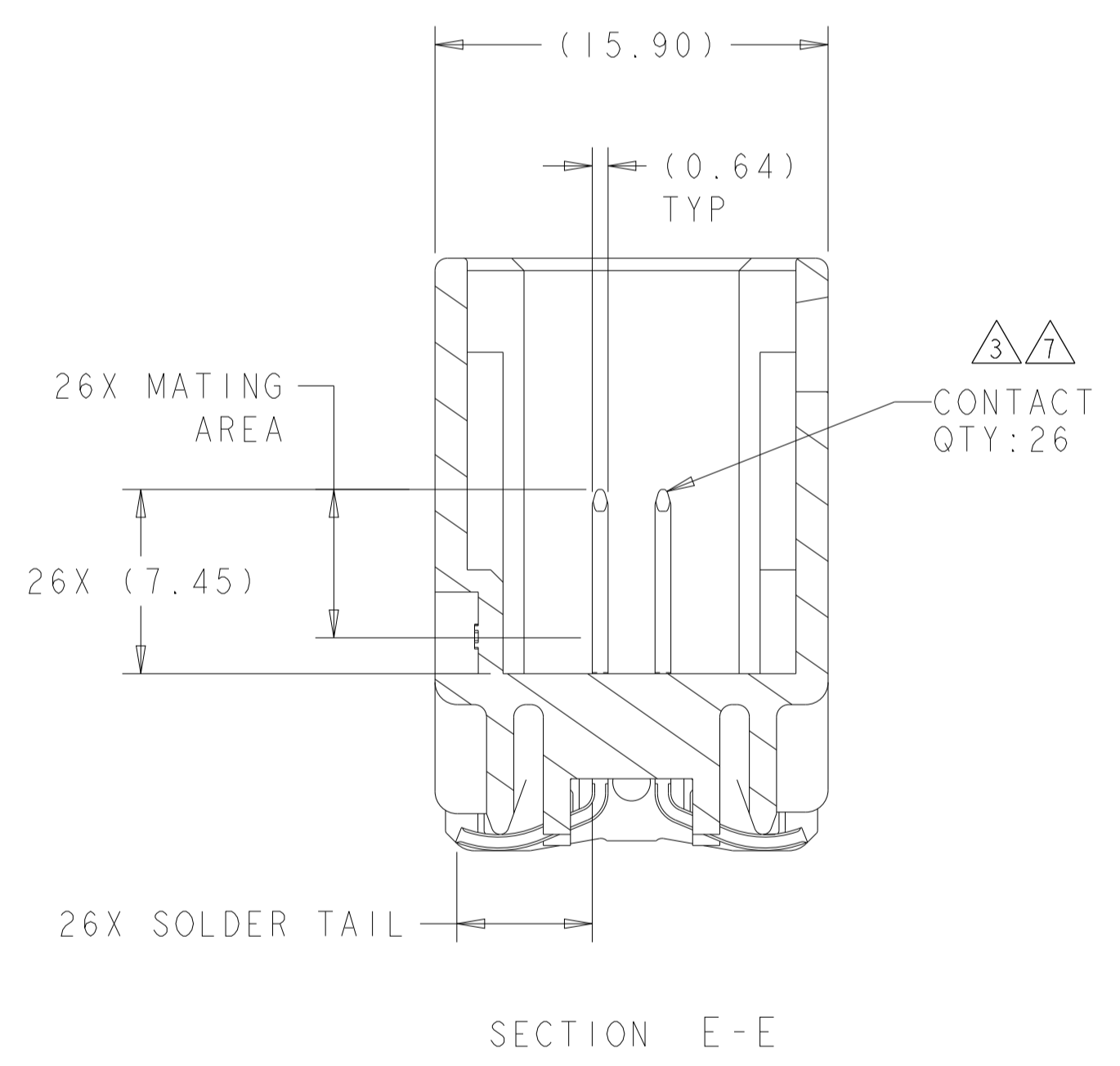


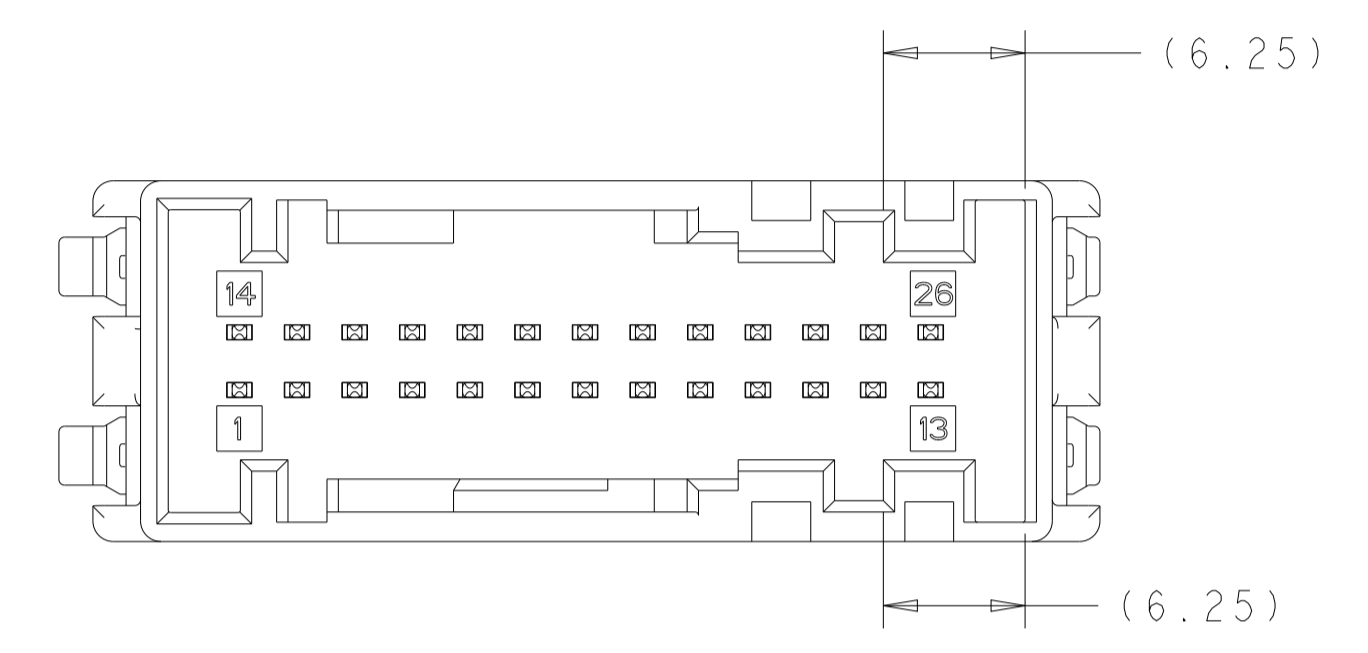
REVISIONS				
P	LTN	DESCRIPTION	DATE	OWN APVD
A1		REVISED PER ECO-08-011990	21MAY2008	DLD RDH
A2		REVISED PER ECO-09-026137	24NOV2009	DLD CJS
A3		REV PER ECR-10-011823	31MAY2010	VSS CS
A4		REV PER ECN-23-211153	09MAY2023	JMS CJS



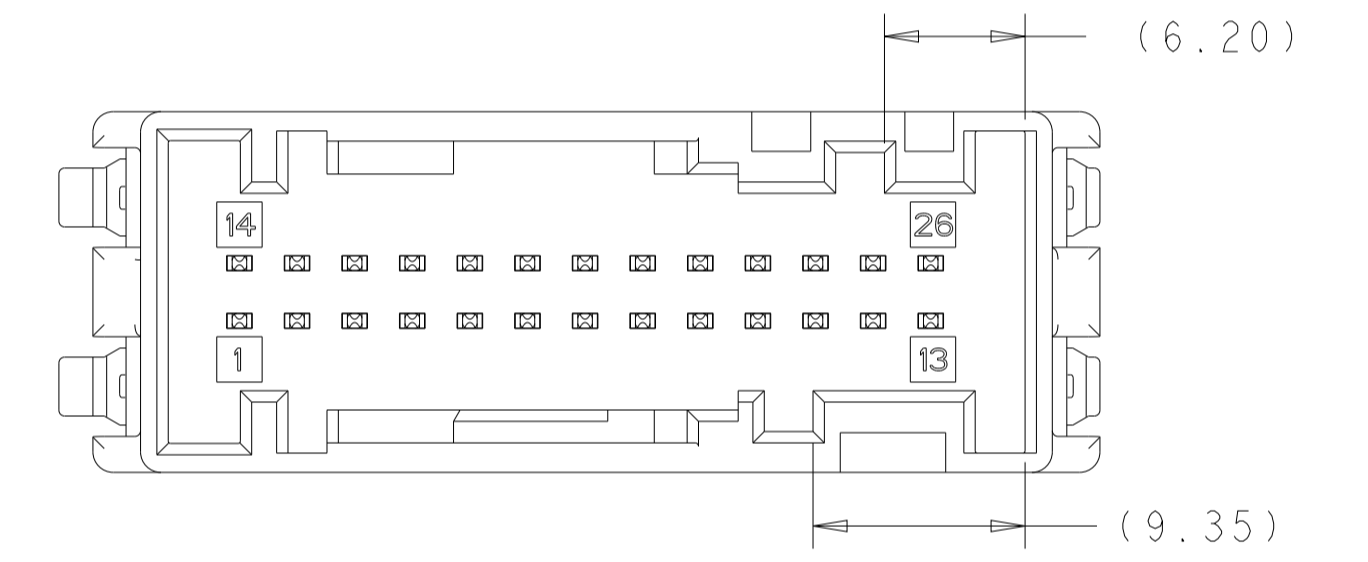
RECOMMENDED PC BOARD LAYOUT  
CONNECTOR SIDE OF BOARD  
SCALE 4:1



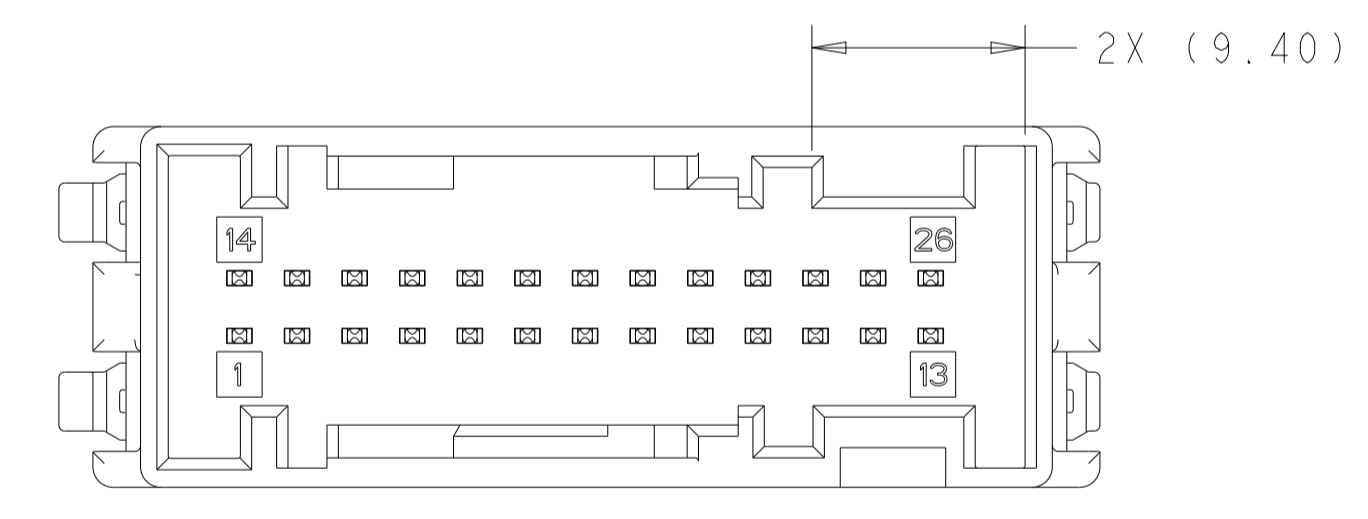
- ① HOUSING: PCT, COLOR - SEE TABLE.  
CONTACTS: BRASS.  
SOLDER CLIP: BRASS.
- ② SOLDER CLIP: 3.8µm MIN TIN OVER 1.27µm MIN NICKEL.
- ③ CONTACT: 0.8µm MIN TIN IN MATING AREA AND 2.5µm MIN TIN IN SOLDER TAIL ALL OVER 1.00µm NICKEL.
- ④ DATUMS AND BASIC DIMENSIONS ESTABLISHED BY THE CUSTOMER.
- ⑤ ASSEMBLY DATE CODE.
- ⑥ PRODUCT PART NUMBER.
- ⑦ CONTACT: 0.38µm MIN GOLD IN MATING AREA AND 2.5µm MIN TIN IN SOLDER TAIL AREA, ALL OVER 1.00µm NICKEL.
- ⑧ OPTIONAL FEATURE PRESENT ON PART NUMBERS NOTED IN TABLE.



KEYING CODE "BF"  
SCALE 3:1



KEYING CODE "BE"  
SCALE 3:1



KEYING CODE "AE"  
SCALE 3:1

FINISH	PACKAGE TUBE	KEYING CODE	COLOR	PART NUMBER		
		7	NON RETURNABLE	KEYING CODE "AE"	BLACK	⑧ 2-1924678-1
		7	NON RETURNABLE	KEYING CODE "BF"	BLUE	1-1924678-6
		7	NON RETURNABLE	KEYING CODE "AE"	BLACK	1-1924678-5
		3	NON RETURNABLE	KEYING CODE "BF"	NATURAL	1-1924678-4
		3	NON RETURNABLE	KEYING CODE "BF"	BLUE	1-1924678-3
		3	NON RETURNABLE	KEYING CODE "BE"	GRAY	1-1924678-2
		3	NON RETURNABLE	KEYING CODE "AE"	BLACK	1-1924678-1
		3	RETURNABLE	KEYING CODE "BF"	NATURAL	1924678-4
		3	RETURNABLE	KEYING CODE "BF"	BLUE	1924678-3
		3	RETURNABLE	KEYING CODE "BE"	GRAY	1924678-2
		3	RETURNABLE	KEYING CODE "AE"	BLACK	1924678-1

THIS DRAWING IS A CONTROLLED DOCUMENT.

DIMENSIONS: mm 	TOLERANCES UNLESS OTHERWISE SPECIFIED: 0 PLC ± 1 PLC ± 2 PLC ± 3 PLC ± 4 PLC ± ANGLES ± FINISH ±	DWG: H. FOLTZ 25JUL2007 CHK: G. MARTIN 25JUL2007 APVD: G. MARTIN 25JUL2007 PRODUCT SPEC APPLICATION SPEC WEIGHT CUSTOMER DRAWING	NAME: G. MARTIN PRODUCT SPEC APPLICATION SPEC SIZE: CAGE CODE DRAWING NO RESTRICTED TO: A   00779   C=1924678 SCALE: 4:1 SHEET 1 OF 1 REV A4
-----------------------	---	--	---

TE Connectivity