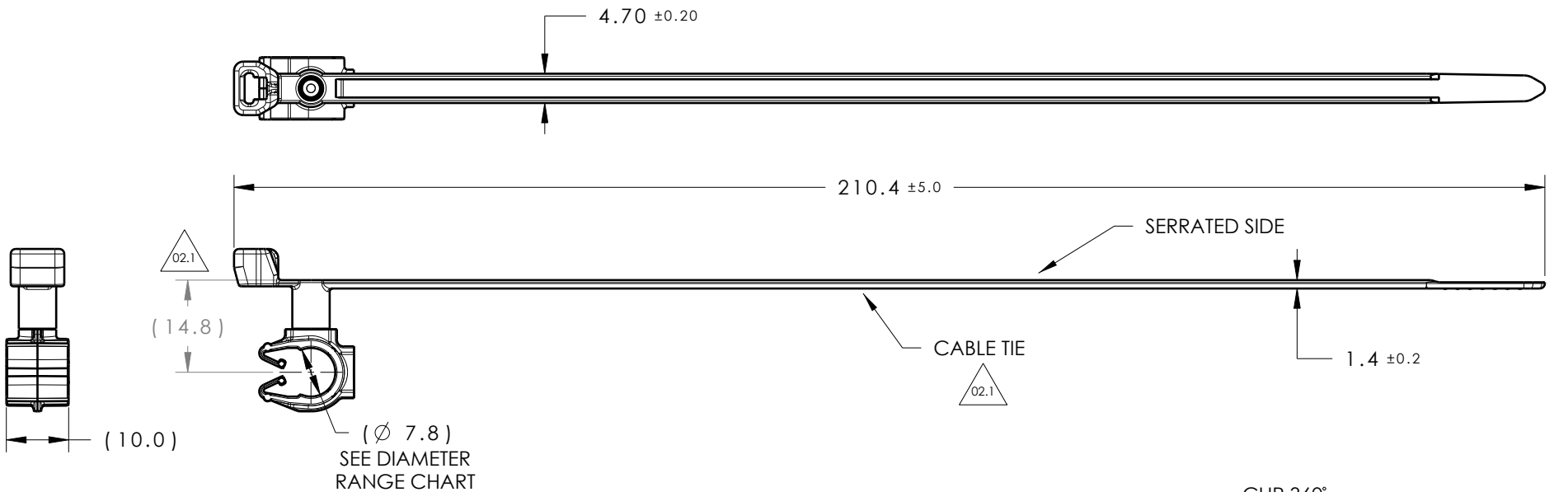


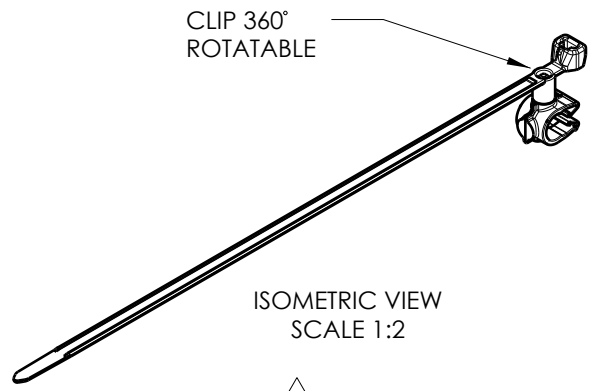
Revision Level			Revision Record	Changed	Date	Approved	Date
Drawing	State	Part					
02.1	Design Release	-	SEE ECN# 014539	CTF	07/25/2018	TAT	07/25/2018



TYPE	SUGGESTED DIAMETER RANGE*
HARNESS	7.5MM - 8.5MM
HOSE	7.0MM - 8.5MM
HARD PIPE/TUBE	7.9MM - 9.0MM

*RECOMMENDED SIZES MAY DIFFER DEPENDING ON THE APPLICATION, PRODUCT REQUIREMENTS AND MATERIALS USED

**PATENT PENDING 29/582,271



GLOBAL PART DESCRIPTION	BUNDLE RANGE	CABLE TIE			CLIP**		
		DRAWING	MATERIAL	COLOR	DRAWING	MATERIAL	COLOR
T50SMVCMOC8M-PA66HIRHSUV-BK	2 TO 50	14-0606-012-CSU	PA66HIRHSUV	BLACK	16-0316-000-CSU	PA66HIRHSUV	BLACK

Material SEE CHART COLOR: SEE CHART	Units	millimeters	The copyright of this drawing is reserved by HellermannTyton. It is issued on condition that it is not reproduced, copied or disclosed to a third party, either wholly or in part, without the consent of HellermannTyton.	Drawn	TAT	5/17/17	Article/Type-No	T50SMVCMOC8M	Scale	1:1			
	Tolerance defined on each dimension	Approved		EJH	5/31/17			Title	T50SMVC CABLE TIE COUPLED TO 8MM MOC	Project Number	16-0316		
		HellermannTyton North America Email: corp@htamericas.com Web: www.hellermann.tyton.com						Drawing-No	PRODUCTION : Phase	Format	AH		
								16-0316-302-CSU					