

# Cable gland - G-INVEN-M20-M67N-PNES-LG - 1424534

Please be informed that the data shown in this PDF Document is generated from our Online Catalog. Please find the complete data in the user's documentation. Our General Terms of Use for Downloads are valid (<http://phoenixcontact.com/download>)



Cable gland, cable gland material: PA, external cable diameter 6 mm ... 11 mm, shielding: no, connecting thread: M20 x 1.5, color: lightgrey RAL 7035, with pressure compensation element and flat gasket

## Product Description

Cable gland with integrated pressure compensation element. Prevents low pressure forming in the housing. Membrane: resistant to water and dirt

## Your advantages

- reduces the formation of condensation
- Screw connection with integrated pressure compensation element
- Plastic material conforms to UL 746C f1

## Key Commercial Data

Packing unit	5 pc
Minimum order quantity	5 pc
GTIN	
GTIN	4055626374390

## Technical data

### Dimensions

Length	40 mm
Wrench size, union nut	24 mm
Wrench size, support	24 mm
Length of the connecting thread	10 mm
Feed-through hole diameter	20.1 mm ... 20.2 mm
External cable diameter	6 mm ... 11 mm
	6 mm ... 12 mm (for UL 514 B)

### Ambient conditions

Degree of protection (IP)	IP67
	IP66

# Cable gland - G-INVEN-M20-M67N-PNES-LG - 1424534

## Technical data

### Ambient conditions

Ambient temperature (operation)	-20 °C ... 100 °C (static)
---------------------------------	----------------------------

### General

Type	with pressure compensation element and flat gasket
No. of conductors	1
Cable gland material	PA
Cable seal material	CR
Sealing material	NBR (Flat gasket)
Flammability rating according to UL 94	V2
Shielded	no
Thread type connection side	M20 x 1.5
Thread type on connection side	M20
Torque	4 Nm (Union nut)
	4 Nm (Support sleeve)
	3.5 Nm (for UL514 B: union nut / support)
Color	lightgrey RAL 7035
Impact category	5
Execution of the strain relief	A
Air flow rate	40 (l/h at a pressure differential of 70 mbar)
Manufacturer	BIMED
Manufacturer Designation	BMVG-12

### Standards and Regulations

Halogen-free	no
Flammability rating according to UL 94	V2

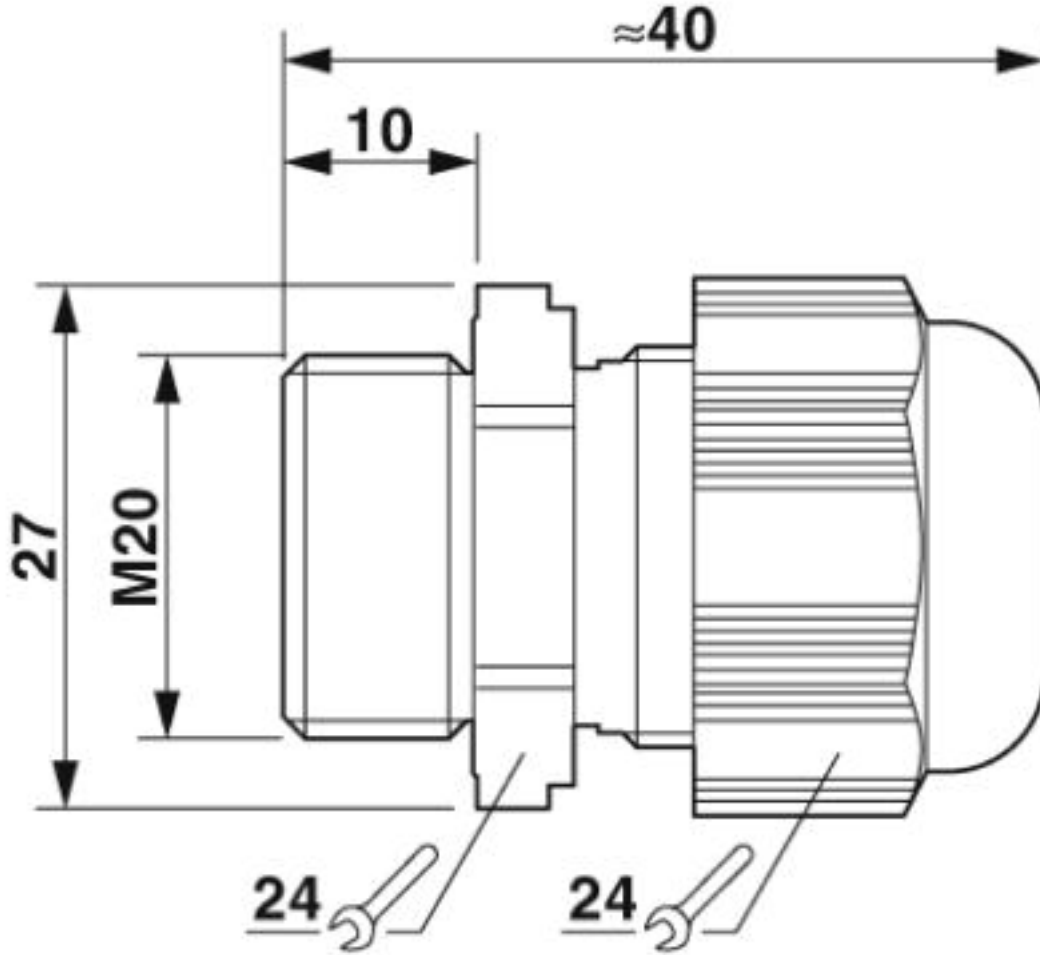
### Environmental Product Compliance

China RoHS	Environmentally friendly use period: unlimited = EFUP-e
	No hazardous substances above threshold values

## Drawings

# Cable gland - G-INVEN-M20-M67N-PNES-LG - 1424534

Dimensional drawing



Dimensional drawing

Approvals

Approvals

---

Approvals

UL Recognized / cUL Recognized / cULus Recognized

---


Ex Approvals


---

Approval details

## Cable gland - G-INVEN-M20-M67N-PNES-LG - 1424534

### Approvals

UL Recognized		<a href="http://database.ul.com/cgi-bin/XYV/template/LISEXT/1FRAME/index.htm">http://database.ul.com/cgi-bin/XYV/template/LISEXT/1FRAME/index.htm</a>	E199260
---------------	---	---	---------

cUL Recognized		<a href="http://database.ul.com/cgi-bin/XYV/template/LISEXT/1FRAME/index.htm">http://database.ul.com/cgi-bin/XYV/template/LISEXT/1FRAME/index.htm</a>	E199260
----------------	---	---	---------

cULus Recognized			
------------------	---	--	--

Phoenix Contact 2019 © - all rights reserved  
<http://www.phoenixcontact.com>

PHOENIX CONTACT GmbH & Co. KG  
Flachsmarktstr. 8  
32825 Blomberg  
Germany  
Tel. +49 5235 300  
Fax +49 5235 3 41200  
<http://www.phoenixcontact.com>