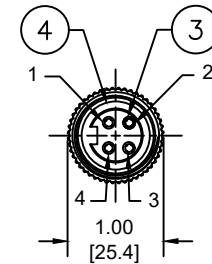
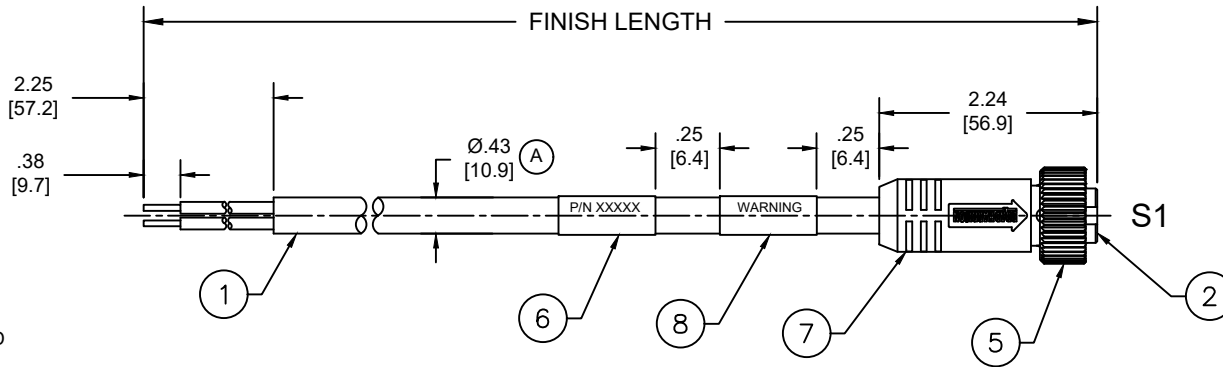
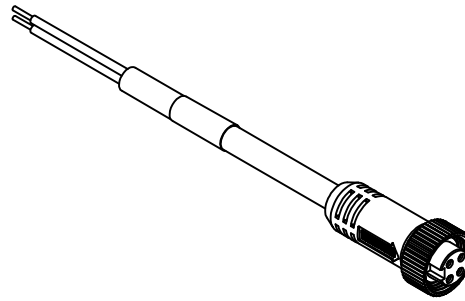


MATERIAL NUMBER	ENGINEERING NUMBER	FINISHED LENGTH
1300610077	104000A45M010	1M [3FT 3 IN]
1300610086	104000A45M100	10M [32FT 10 IN]
1300611009	104000A45M300	30M [98FT 5 IN]

(A) PART NUMBER LEGEND

104000A45M010

LENGTH:  
M005= 0.5 METER  
M010= 1 METER  
M100= 10 METER



FACE VIEW FEMALE

NOTES:

- MATERIAL: AS NOTED
- FINISH: AS NOTED
- ELECTRICAL:
  - VOLTAGE: 483V PER IEC60664 (A)
  - 600V PER UL2237
  - CURRENT: 10A
- TEMP RATING: -20°TO +105°C (A)
- PROTECTION: IP67 (WHEN MATED)
- COUPLING THREAD: 7/8"-16UN
- UL LISTED FILE: E258922
- ALL DIMENSIONS ARE FOR REFERENCE UNLESS TOLERANCED OR NOTED OTHERWISE

S1

BLACK	1
WHITE	2
RED	3
GREEN/YELLOW	4

(A)

CABLE LENGTH TOLERANCES	
<.3M [1FT]:	+19mm-0 [+ .75in-0]
.3 - .9M [1 - 3FT]:	+44.5mm-0 [+1.75in-0]
.9 - 1.8M [3 - 6FT]:	+55.6mm-0 [+2.19in-0]
1.8 - 3.7M [6 - 12FT]:	+88.9mm-0 [+3.50in-0]
3.7 - 7.3M [12 - 24FT]:	+165.1mm-0 [+6.50in-0]
7.3-14.6M [24 - 48FT]:	+317.5mm-0 [+12.50in-0]
14.6 - 30.5M [48-100FT]:	+622.3mm-0 [+24.50in-0]
OVER 30M [100FT]	+2% OF FINISHED LENGTH

WIRING DIAGRAM

8	WARNING LABEL	VINYL	BLACK
7	OVERMOLD	TPE	GRAY
6	WRAP LABEL	VINYL	YELLOW
5	COUPLING NUT	ZINC ALLOY	BLACK E-COAT
4	FRICTION RING	NYLON	WHITE
3	SOCKET CONTACT	COPPER ALLOY	GOLD OVER NICKEL
2	INSERT	TPE	BLACK
1	#16/4 CABLE	PVC JACKET	GRAY
ITEM	DESCRIPTION	MATERIAL	FINISH

FUNCTIONAL SYMBOLS									
$F_A=0$	THIS DRAWING CONTAINS INFORMATION THAT IS PROPRIETARY TO MOLEX ELECTRONIC TECHNOLOGIES, LLC AND SHOULD NOT BE USED WITHOUT WRITTEN PERMISSION								
$F_C=0$	DIMENSION UNITS		SCALE		CURRENT REV DESC: ITEM 2 & 7 WERE PVC. SLEEVE & SOCKET SHOWN AS ITEM-3. ADDED IEC VOLTAGE, PN LEGEND, CABLE DIA & TOL CHART. MODIFIED TEMP RATING AND PN TABLE.				
$F_P=0$	INCH/MM		NTS						
GENERAL TOLERANCES (UNLESS SPECIFIED)									
DIVISIONAL SYMBOLS									
		mm	INCH		EC NO: 698916				
4 PLACES	±	----	±	----	DRWN: ABENJAMINLW		2021/06/10		
3 PLACES	±	----	±	----	CHK'D: RSTONE		2022/03/09		
2 PLACES	±	----	±	----	APPR: BWOODMAN		2022/03/11		
1 PLACE	±	----	±	----	INITIAL REVISION:				
0 PLACES	±	----	±	----	DRWN: VOU		2010/01/14		
ANGULAR TOL ± ---- °					APPR: JFMURPHY		2010/01/20		
DRAFT WHERE APPLICABLE MUST REMAIN WITHIN DIMENSIONS					THIRD ANGLE PROJECTION		DRAWING		SERIES
					A-SIZE		130061		MATERIAL NUMBER
					SEE CHART		GENERAL MARKET		SHEET NUMBER
									1 OF 1

**molex**

BRAD POWER CORDSET, A-SIZE  
4-POLE, FEMALE, STRAIGHT, SINGLE KEY,  
#16 AWG

PRODUCT CUSTOMER DRAWING

DOCUMENT NUMBER	DOC TYPE	DOC PART	REVISION
SD-130061-011	PSD	001	A

DOCUMENT STATUS	P1	RELEASE DATE	2022/03/11	14:29:44
-----------------	----	--------------	------------	----------