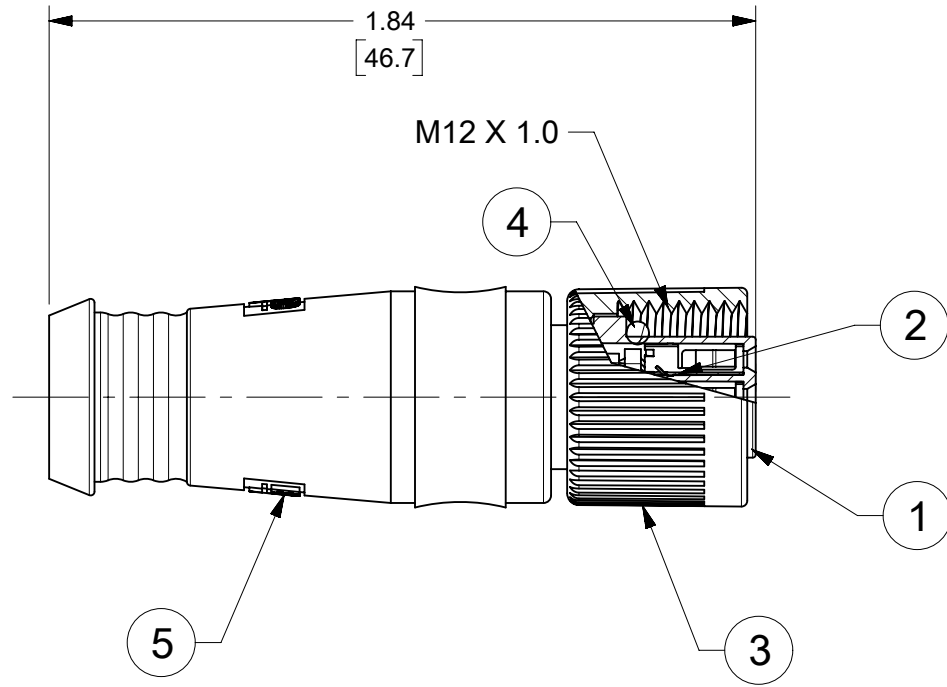
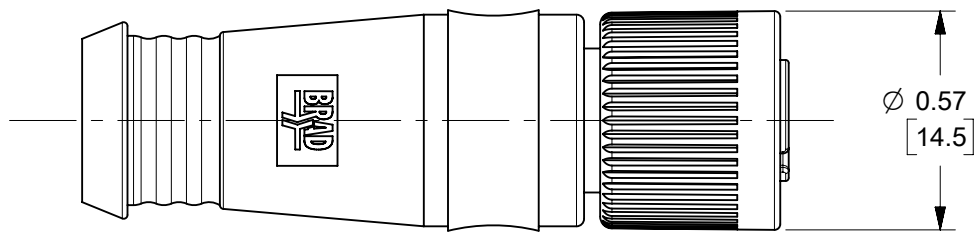
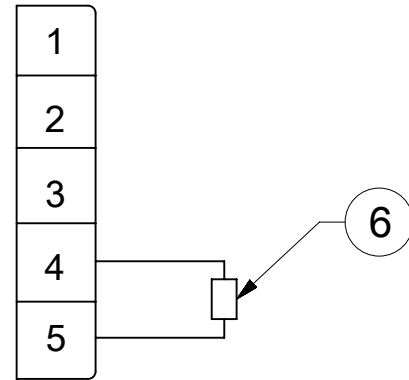


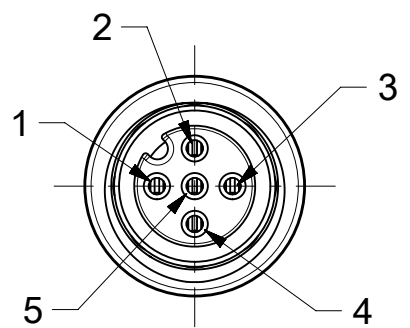
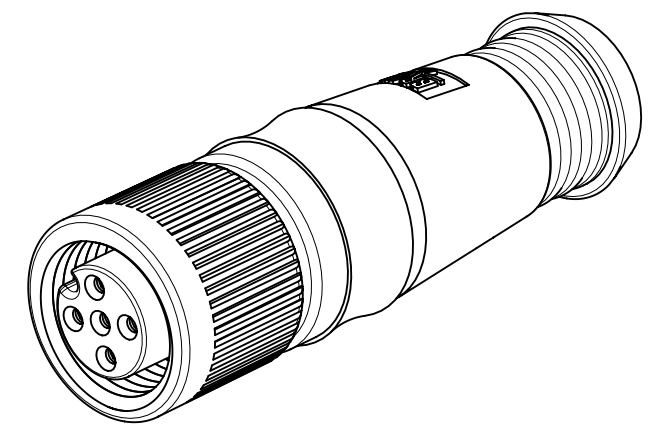
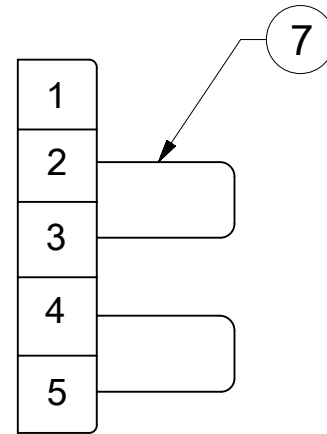
MATERIAL NO.	ENGINEERING NO.	DESCRIPTION
1300390385	DND150	FEMALE STANDARD TERMINATOR WITH RESISTOR
1300390386	DND151	FEMALE TERMINATOR WITH JUMPERS



WIRING DIAGRAM (1300390385)



WIRING DIAGRAM (1300390386)



- NOTES:
1. MATERIAL: SEE TABLE
 2. FINISHES: SEE TABLE
 3. ELECTRICAL SPECIFICATION:
VOLTAGE RATING: 30V
CURRENT RATING: 4.0 AMPS
 4. TEMP RATING: 0°C to +60°C (B)
 5. PROTECTION: IP67 RATED (WHEN MATED) (B)
 6. ALL DIMS ARE FOR REFERENCE UNLESS TOLERANCED OR NOTED OTHERWISE

ITEM	DESCRIPTION	MATERIAL	FINISH
7	JUMPER WIRE, 22 AWG	PVC INSULATION	
6	RESISTOR, 121 OHM, 1/4 WATT, ±1%	CARBON OR METAL FILM	
5	OVERMOLD	GRAY	TPC
4	O-RING	NITRILE	RED
3	FEMALE COUPLING NUT	ZINC DIE-CAST	BLACK E-COAT
2	SOCKET CONTACT	Cu ALLOY	GOLD OVER NICKEL
1	FEMALE INSERT	NYLON	BLACK

DOCUMENT STATUS	P1	RELEASE DATE	2022/06/14	13:48:40
-----------------	----	--------------	------------	----------

FUNCTIONAL SYMBOLS		THIS DRAWING CONTAINS INFORMATION THAT IS PROPRIETARY TO MOLEX ELECTRONIC TECHNOLOGIES, LLC AND SHOULD NOT BE USED WITHOUT WRITTEN PERMISSION		CURRENT REV DESC: UPDATED ITEM 5 WAS PVC, ADDED TEMP & IP RATINGS		
FA = 0	INCH/MM	SCALE	2:1	<p>molex</p> <p>MICRO-CHANGE TERMINATOR, M12 5 POLE, FEMALE, STRAIGHT, SINGLE KEY DEVICENET</p> <p>PRODUCT CUSTOMER DRAWING</p> <p>DOCUMENT NUMBER: SD-130039-012 DOC TYPE: PSD DOC PART: 001 REVISION: B</p>		
EA = 0	GENERAL TOLERANCES (UNLESS SPECIFIED)		EC NO: 709714			
ED = 0	MM		2022/01/11			
DIVISIONAL SYMBOLS		INCH				2022/06/08
4 PLACES ±		±		DRWN: VHANDI		
3 PLACES ±		±		2022/06/14		
2 PLACES ±		±		CHKD: RSTONE		
1 PLACE ±		±		2022/06/14		
0 PLACES ±		±		APPR: BWOODMAN		
ANGULAR TOL ± °		°		INITIAL REVISION:		
DRAFT WHERE APPLICABLE MUST REMAIN WITHIN DIMENSIONS		THIRD ANGLE PROJECTION		DRWN: RSTONE		
		DRAWING		2009/08/28		
		SERIES		2009/08/31		
		MATERIAL NUMBER		SEE TABLE		
		CUSTOMER		GENERAL MARKET		
		SHEET NUMBER		1 OF 1		