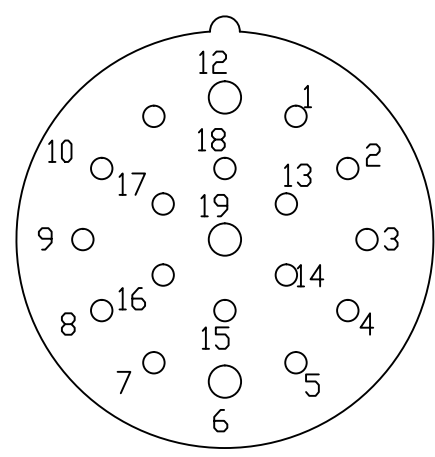
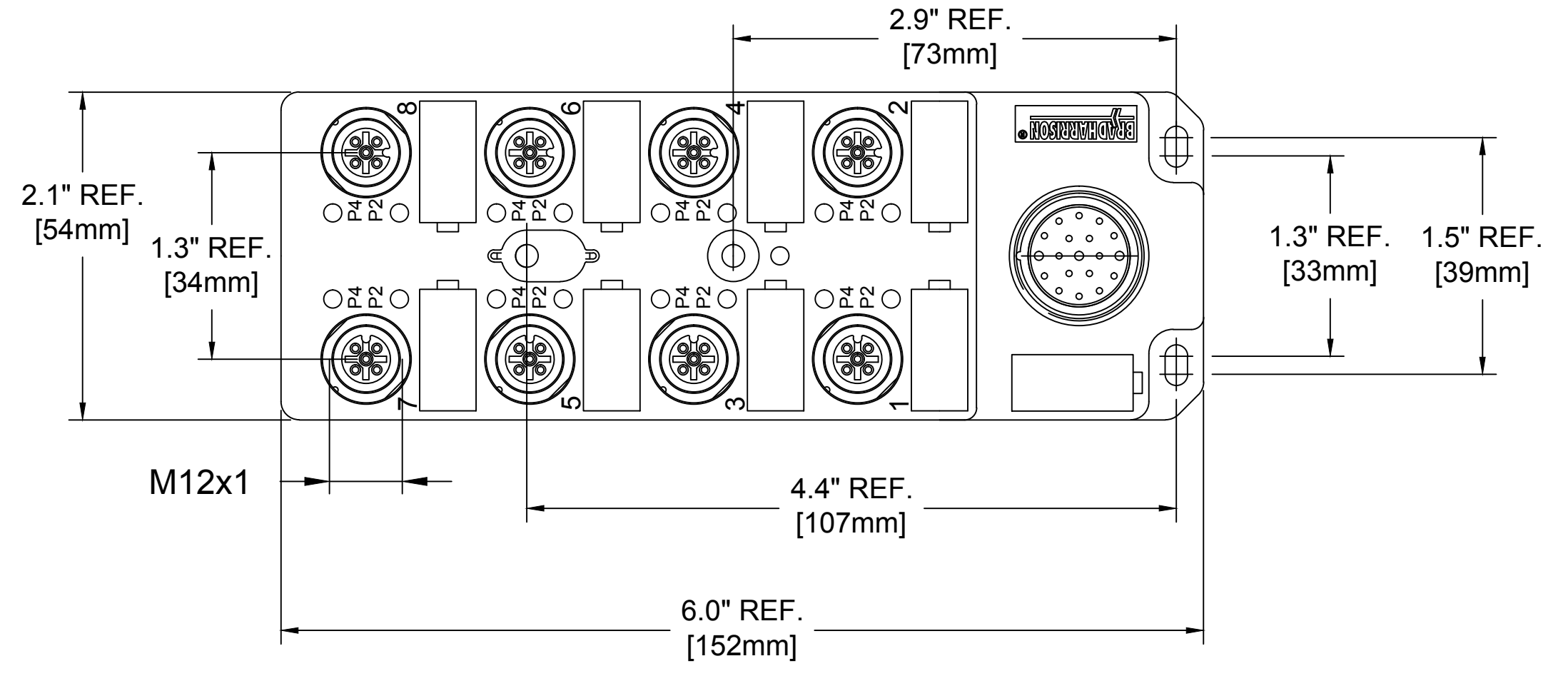
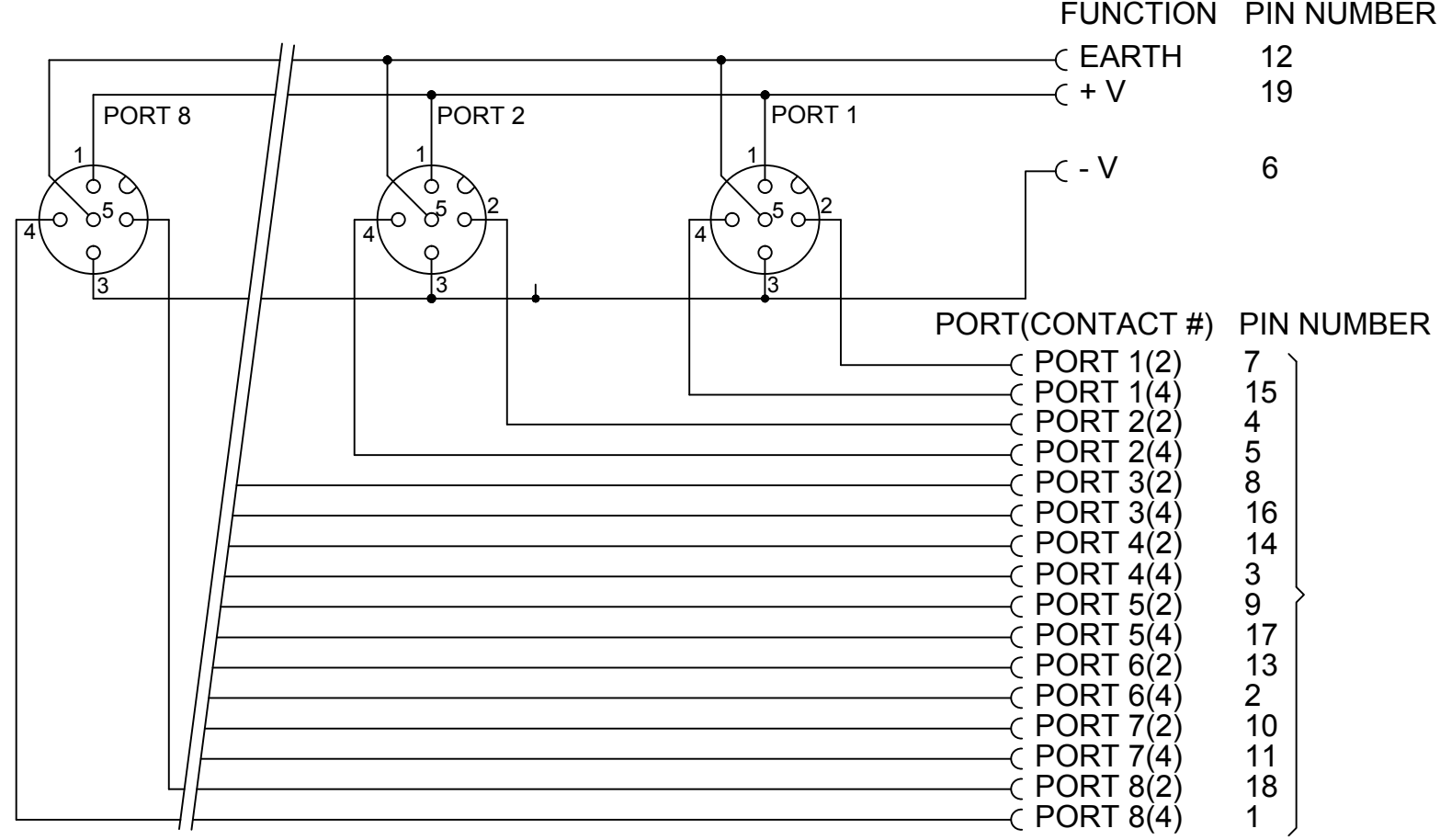
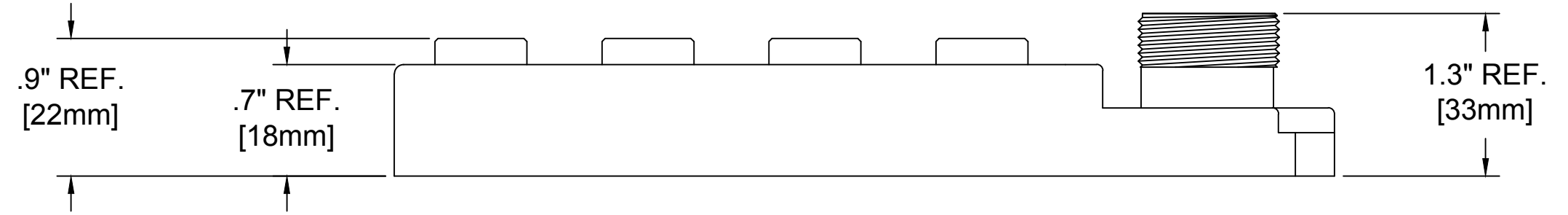


| | | | | | | | | | | | | |
|------------------------|------------------------|----|----|---|---|---|---|---|---|---|---|---|
| 13 | 12 | 11 | 10 | 9 | 8 | 7 | 6 | 5 | 4 | 3 | 2 | 1 |
| MATERIAL NUMBER | OLD PART NUMBER | | | | | | | | | | | |
| 1200550328 | BTY8030-FBC | | | | | | | | | | | |

WIRING DIAGRAM



FRONT VIEW MALE M23



SPECIFICATION DATA

| DESCRIPTION | MATERIAL | FINISH |
|-----------------------|--------------|------------------|
| LABEL | ABS | WHITE |
| CONTACT | BRASS | GOLD OVER NICKEL |
| O-RING | VITON | RED |
| SHELL | BRASS | NICKEL PLATE |
| INSERT | PBT | YELLOW |
| PROTECTING CAP | PP | BLACK |
| HOUSING | PBT | YELLOW |
| VOLTAGE RATING | 10 - 30 VDC | |
| AMPERAGE RATING | 4 AMPS | |
| PROTECTION | IP67 | |
| OPERATING TEMPERATURE | -5°C TO 80°C | |

| | | | | | | | | | |
|---|--|---------------------------------------|-------|------------------------|------------|---|---|------------------------|--|
| RELEASE EC NO: ICG2014-0508 DRWN: GGUSTAFS 2013/09/10 CH'KD: VOU APPR: BWOODMAN2013/11/01 | QUALITY SYMBOL | GENERAL TOLERANCES (UNLESS SPECIFIED) | | DIMENSION STYLE | | SCALE | DESIGN UNITS | THIRD ANGLE PROJECTION | |
| | ▼=0 | mm | INCH | IN/MM | | NTS | INCH | | |
| | ∇=0 | 4 PLACES | ±--- | ±--- | DRAWN BY | DATE | TITLE | | |
| | | 3 PLACES | ±--- | ±.005 | GGUSTAFS | 2013/09/10 | 8 PORT MIC MPIS TOP MOUNT NO LED 19P MALE M23 CONNECTOR | | |
| | | 2 PLACES | ±0.13 | ±.010 | CHECKED BY | DATE | | | |
| | 1 PLACE | ±0.25 | ±.020 | VOU | 2013/10/10 | MOLEX INCORPORATED | | | |
| | ANGULAR ±.5° | | | APPROVED BY | DATE | DOCUMENT NO. | | SHEET NO. | |
| | DRAFT WHERE APPLICABLE MUST REMAIN WITHIN DIMENSIONS | | | BWOODMAN 2013/11/01 | | SD-120055-008 | | 1 OF 1 | |
| | | | | MATERIAL NO. SEE CHART | | THIS DRAWING CONTAINS INFORMATION THAT IS PROPRIETARY TO MOLEX INCORPORATED AND SHOULD NOT BE USED WITHOUT WRITTEN PERMISSION | | | |
| | | | | SIZE C | | | | | |