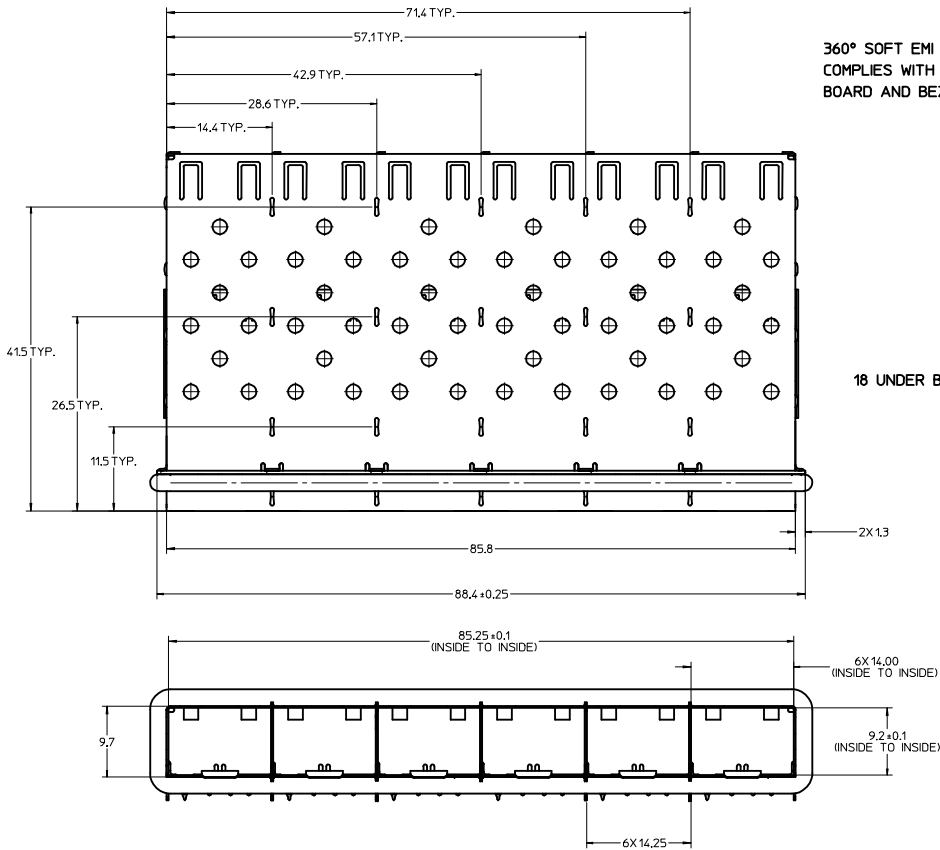


3D MODEL: EM-74747-001\_ASSY



360° SOFT EMI BEZEL GASKET COMPLIES WITH (SFP) MSA BOARD AND BEZEL LOCATIONS

18 UNDER BELLY EMI PINS

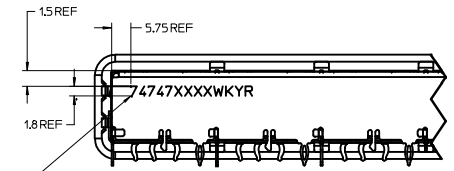
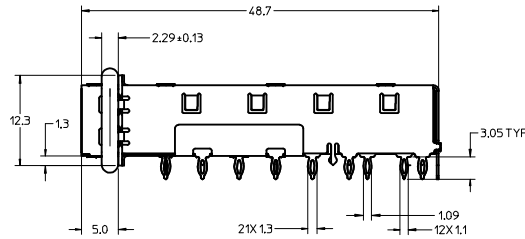
EMI FINGERS CONTACT ADAPTER

INNER WALL TABS ARE COINED OVER BASE AND COVER FOR RIGIDITY

TABS USED TO ATTACH LIGHT PIPE COVER

GASKET SEAM LOCATED ON SIDE OF CAGE

DIMENSIONS OF EACH INNER CAGE DESIGNED TO FUNCTION WITH SMALL FORM-FACTOR PLUGGABLE (SFP) TRANSCEIVER



PART NO AND WEEK/YEAR DATE CODE TO BE PRINTED ON BACK OF COMPLETED CAGE ASSEMBLY AS SHOWN USING INK OART NO. 16-8420 SEE TABLE FOR DATE CODE INFORMATION.

NOTES:

- PRESS FIT LEGS 3.05mm\* LONG-  
1.57 MINIMUM PCB THICKNESS FOR SINGLE SIDED USE.  
3.00 MINIMUM PCB THICKNESS FOR BELLY TO BELLY USE.  
INSERTION FORCE INTO PCB: <100 LBS.
- MATERIAL: COPPER ALLOY  
PLATING: PRE-PLATED NICKEL
- REFERENCE DOCUMENTS:  
PRODUCT SPECIFICATION: PS-74728-000  
COSMETIC SPECIFICATIONS: WI-HP-7-2774 AND WI-HPA-7-0093
- MATES WITH SERIES 74748, LIGHT PIPE COVER ASSEMBLY.
- No RoHS EXEMPTIONS

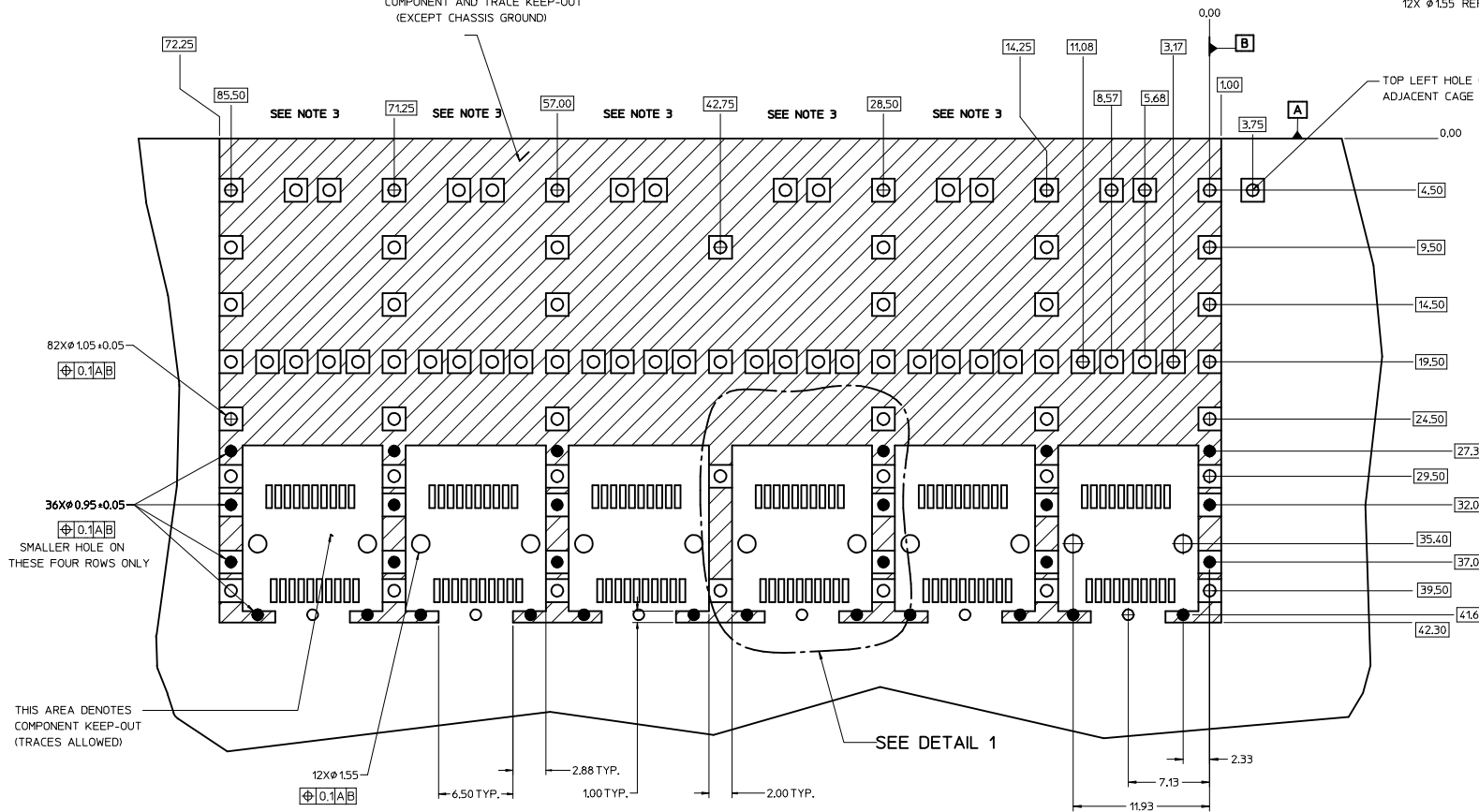
DATE	WEEK/YEAR	DATE CODE	TABLE
WK	01 THRU 52	EXAMPLE: 01 =	FIRST WEEK OF YEAR 52 = LAST WEEK OF YEAR
YR	16, 17, 18, ETC.	EXAMPLE: YEAR 2016 =	16

<b>ENTER DESCRIPTION</b> EC NO: CPG2016-3795 DRW: HWCHANG04 2016/04/21 CHKD: APPR: RCHEN08 2016/04/26 REV	<b>QUALITY SYMBOLS</b> ∇=0 ∇=0 ∇=0	<b>GENERAL TOLERANCES (UNLESS SPECIFIED)</b>		<b>DIMENSION STYLE</b> MM ONLY	SCALE 3:1	DESIGN UNITS METRIC	THIRD ANGLE PROJECTION
		4 PLACES ± --- ± --- 3 PLACES ± --- ± --- 2 PLACES ± 0.13 ± --- 1 PLACE ± 0.18 ± --- 0 PLACE ± ±	mm INCH ± --- ± --- ± --- ± --- ± --- ± --- ± ±	DRAWN BY KS1MONSO DATE 2004/07/08	CHECKED BY BRUSSELL DATE 2004/07/08	APPROVED BY BRUSSELL DATE 2004/07/08	TITLE 1X6 SFP GANGED CAGE ASSEMBLY, W/090 OD GASKET <b>molex</b>
ANGULAR ± 1 ° DRAFT WHERE APPLICABLE MUST REMAIN WITHIN DIMENSIONS		MATERIAL NO. 747470001	DOCUMENT NO. SD-74747-001	SHEET NO. 1 OF 5			

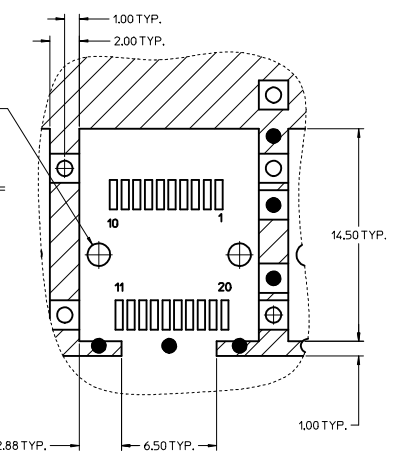
THIS DRAWING CONTAINS INFORMATION THAT IS PROPRIETARY TO MOLEX INCORPORATED AND SHOULD NOT BE USED WITHOUT WRITTEN PERMISSION

# PCB LAYOUT FOR BELLY TO BELLY MOUNTING

CROSS-HATCHED AREA DENOTES  
COMPONENT AND TRACE KEEP-OUT  
(EXCEPT CHASSIS GROUND)



## HOST CONNECTOR DETAIL



Detail1  
SCALE 6:1

- 1.PADS AND VAIS GO CHASSIS GROUND, (94 PLACES).  
RECOMMENED PADS TO BE 2mm SQUARE
- 2.PLATING OPTIONAL FOR THROUGH GOLES, (24 PLACES).
- 3.HOLE PATTERN REPEATS FOR EACH PORT.  
SPACING BETWEEN PORTS IS 14.25mm.
- 4.CONNECTOR PAD LAYOUT PER SFP MSA WILL ACCOMMODATE  
MOLEX CONNECTOR SERIES 74441 OR EQUIVALENT

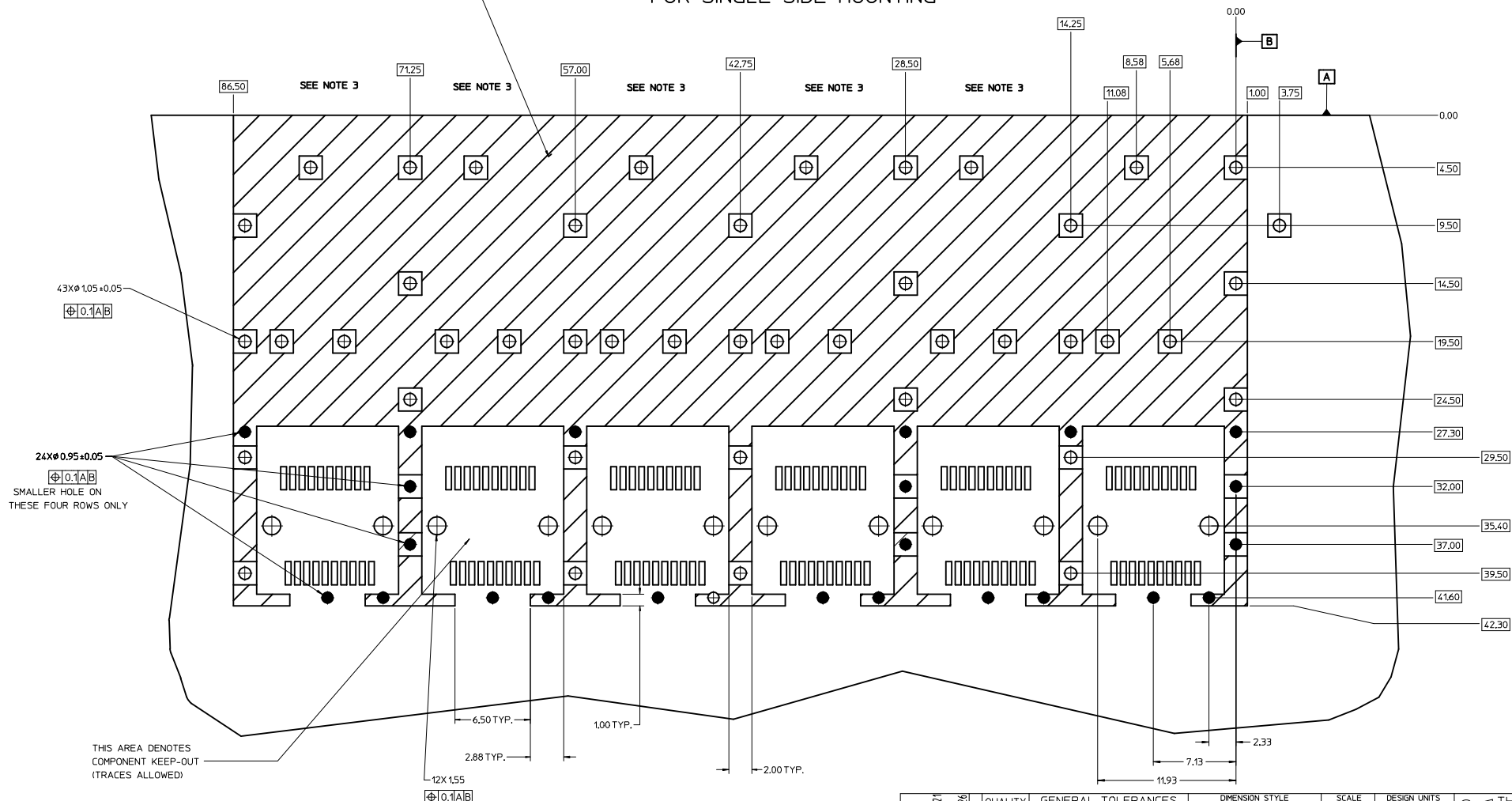
<b>ENTER DESCRIPTION</b> EC NO: CPG2016-3795 DRAWN: CHANG04 2016/04/21 CHKD: APPR: RCHEN08 2016/04/26 REV:	QUALITY SYMBOLS	GENERAL TOLERANCES (UNLESS SPECIFIED)	DIMENSION STYLE	SCALE	DESIGN UNITS	THIRD ANGLE PROJECTION
	▽=0	4 PLACES ± --- ± ---	MM ONLY	5:1	METRIC	☉
	▽=0	3 PLACES ± --- ± ---				
	▽=0	2 PLACES ± 0.13 ± ---				
		1 PLACE ± 0.18 ± ---				
		0 PLACE ± ±				
		ANGULAR ± 1 °				
		DRAFT WHERE APPLICABLE MUST REMAIN WITHIN DIMENSIONS				
			MATERIAL NO.	DOCUMENT NO.		
			747470001	SD-74747-001		
						SHEET NO. 2 OF 5

TITLE  
1X6 SFP GANGED  
CAGE ASSEMBLY,  
W/ .090 OD GASKET

**molex**

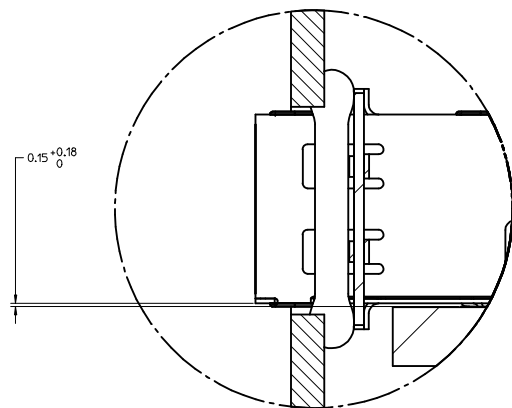
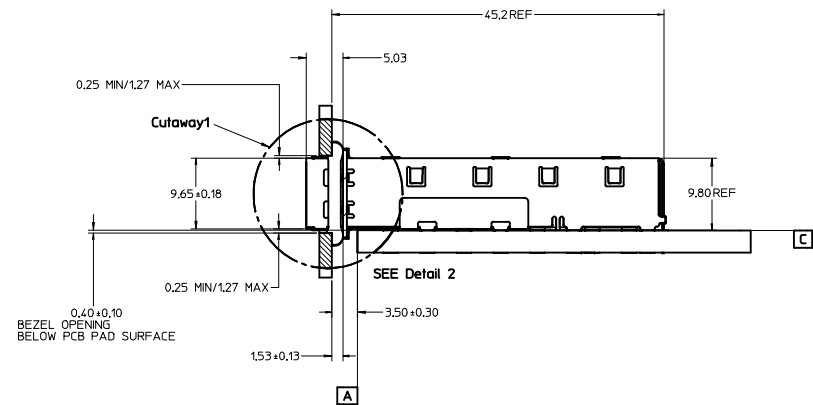
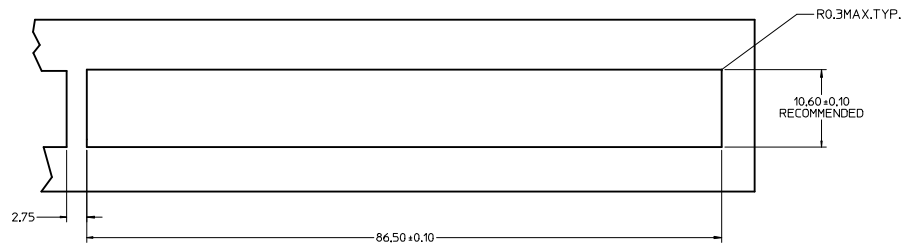
# PCB LAYOUT FOR SINGLE SIDE MOUNTING

CROSS-HATCHED AREA DENOTES  
COMPONENT AND TRACE KEEP-OUT  
(EXCEPT CHASSIS GROUND)



- NOTES:**
1. PADS AND VIAS GO TO CHASSIS GROUND. (48 PLACES).  
RECOMMENDED PADS TO BE 2mm SQUARE.
  2. PLATING OPTIONAL FOR THROUGH HOLES. (18 PLACES).
  3. HOLE PATTERN REPEATS FOR EACH PORT.  
SPACING BETWEEN PORTS IS 14.25mm.

<b>ENTER DESCRIPTION</b> IEC NO: CPG2016-3795 CHYD: DRWN: HCHANG04 APPR: RCHEN08 DATE: 2016/04/21	<b>QUALITY SYMBOLS</b>	$\nabla=0$	$\nabla=0$	$\nabla=0$		<b>DIMENSION STYLE</b>	<b>SCALE</b>	<b>DESIGN UNITS</b>	<b>THIRD ANGLE PROJECTION</b>	
	<b>GENERAL TOLERANCES (UNLESS SPECIFIED)</b>						<b>MM ONLY</b>	<b>6:1</b>	<b>METRIC</b>	
							<b>DRAWN BY</b>	<b>DATE</b>	<b>TITLE</b>	
							KSI MONSO	2004/07/08	<b>1X6 SFP GANGED CAGE ASSEMBLY, W/ .090 OD GASKET</b>   DOCUMENT NO. <b>SD-74747-001</b>	
						<b>CHECKED BY</b>	<b>DATE</b>			
						BRUSSELL	2004/07/08			
						<b>APPROVED BY</b>	<b>DATE</b>			
						BRUSSELL	2004/07/08			
						<b>MATERIAL NO.</b>	<b>747470001</b>			
						<b>SIZE</b>	<b>D</b>			
						THIS DRAWING CONTAINS INFORMATION THAT IS PROPRIETARY TO MOLEX INCORPORATED AND SHOULD NOT BE USED WITHOUT WRITTEN PERMISSION				



Detail 2  
Scale 8:1

<b>ENTER DESCRIPTION</b> IEC NO: CPG2016-3795 DRAWN BY: DRW:WCHANG04 2016/04/27 CHKD: APPR:RCHEN08 2016/04/26 REV DESCRIPTION	QUALITY SYMBOLS ▽=0 ▽=0 ▽=0		GENERAL TOLERANCES (UNLESS SPECIFIED) mm INCH 4 PLACES ± --- ± --- 3 PLACES ± --- ± --- 2 PLACES ± 0.13 ± --- 1 PLACE ± 0.18 ± --- 0 PLACE ± ±		DIMENSION STYLE MM ONLY		SCALE 4:1	DESIGN UNITS METRIC	THIRD ANGLE PROJECTION
	DRAFT WHERE APPLICABLE MUST REMAIN WITHIN DIMENSIONS		ANGULAR ± 1 °		DRAWN BY DATE KS I MONSO 2004/07/08		TITLE 1X6 SFP GANGED CAGE ASSEMBLY, W/ .090 OD GASKET		
	MATERIAL NO. 747470001		DOCUMENT NO. SD-74747-001		APPROVED BY DATE BRUSSELL 2004/07/08		moxle		
	SIZE D		THIS DRAWING CONTAINS INFORMATION THAT IS PROPRIETARY TO MOLEX INCORPORATED AND SHOULD NOT BE USED WITHOUT WRITTEN PERMISSION		SHEET NO. 4 OF 5				

REV.	DATE	DESCRIPTION
D	2015/03/16	1.UPDATED 3.37[85.5] TO 85.25 +/-0.1 (INSIDE TO INSIDE) @G16 [SHEET 1] 2.UPDATED 0.36[9.2] TO 9.2 +/-0.1 (INSIDE TO INSIDE) @F12 [SHEET 1] 3.UPDATED 0.551[14.00]X6 TO 6X14.00 (INSIDE TO INSIDE) @F13 [SHEET 1] 4.UPDATED 0.05[1.3]X2 TO 2X1.3 @H12 [SHEET 1] 5.UPDATED 0.561[14.25]X6 TO 6X14.25 @E14 [SHEET 1] 6.UPDATED 0.05[1.3]X21 TO 21X1.3 @E8 [SHEET 1] 7.UPDATED 0.04[1.1]X12 TO 12X1.1 @E6 [SHEET 1] 8.UPDATED 0.31[0.80]X18 TO 18X0.80 @H3 [SHEET 2] 9.UPDATED $\phi$ .041+0.002[1.05+0.05]X82 TO 82X $\phi$ 1.05+/-0.05 @H19 [SHEET 2] 10.UPDATED $\phi$ .037+/-0.002[0.95+/-0.05]X36 TO 36X0.95+/-0.05 @F19 [SHEET 2] 11.UPDATED $\phi$ .061[1.55]X12 TO 12X $\phi$ 1.55 @F15 [SHEET 2] 12.UPDATED $\phi$ .041+/-0.002[1.05+/-0.05]X43 TO 43X $\phi$ 1.05+/-0.05 @I19 [SHEET 3] 13.UPDATED $\phi$ .037+/-0.002[0.95+/-0.05]X24 TO 24X0.95+/-0.05 @G19 [SHEET 3] 14.UPDATED $\phi$ .061[1.55]X12 TO 12X1.55 @F14 [SHEET 3] 15.UPDATED 0.386[9.80] TO 9.80 REF @J3 [SHEET 4] 16.ADDED DETAIL 2 VIEW TO SHOW GAP FROM PCB PAD SURFACE TO CAGE BOTTOM SURFACE [SHEET 4] 17.CHANGED DIMENSION STYLE IN/MM TO MM ONLY IN ALL SHEETS 18.UPDATED DRAWING FORMAT IN ALL SHEETS
E	2016/04/22	SHEET 1: F3: CREATED BACK VIEWS C2: ADDED WEEK/YEAR DATE CODE TABLE A19: CHANGED NOTE 5. TO *NO RoHS EXEMPTIONS*

ENTER DESCRIPTION IEC NO: CPG2016-3795 DRAWN BY: CHANG04 2016/04/21 CHKD: APPR:RCHEN08 2016/04/26 REV DESCRIPTION	QUALITY SYMBOLS	GENERAL TOLERANCES (UNLESS SPECIFIED)	DIMENSION STYLE	SCALE	DESIGN UNITS	THIRD ANGLE PROJECTION
	$\nabla=0$ $\nabla=0$ $\nabla=0$	mm INCH 4 PLACES # --- # --- 3 PLACES # --- # --- 2 PLACES # 0.13 # --- 1 PLACE # 0.18 # --- 0 PLACE # #	MM ONLY	1:1	METRIC	
	ANGULAR $\pm 1^\circ$ DRAFT WHERE APPLICABLE MUST REMAIN WITHIN DIMENSIONS	DRAWN BY DATE KS IMONSO 2004/07/08 CHECKED BY DATE BRUSSELL 2004/07/08 APPROVED BY DATE BRUSSELL 2004/07/08	TITLE 1X6 SFP GANGED CAGE ASSEMBLY, W/090 OD GASKET			
	MATERIAL NO: 747470001	DOCUMENT NO. SD-74747-001	SHEET NO. 5 OF 5			

THIS DRAWING CONTAINS INFORMATION THAT IS PROPRIETARY TO MOLEX INCORPORATED AND SHOULD NOT BE USED WITHOUT WRITTEN PERMISSION