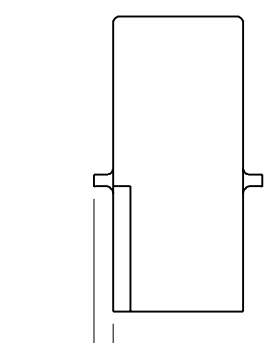
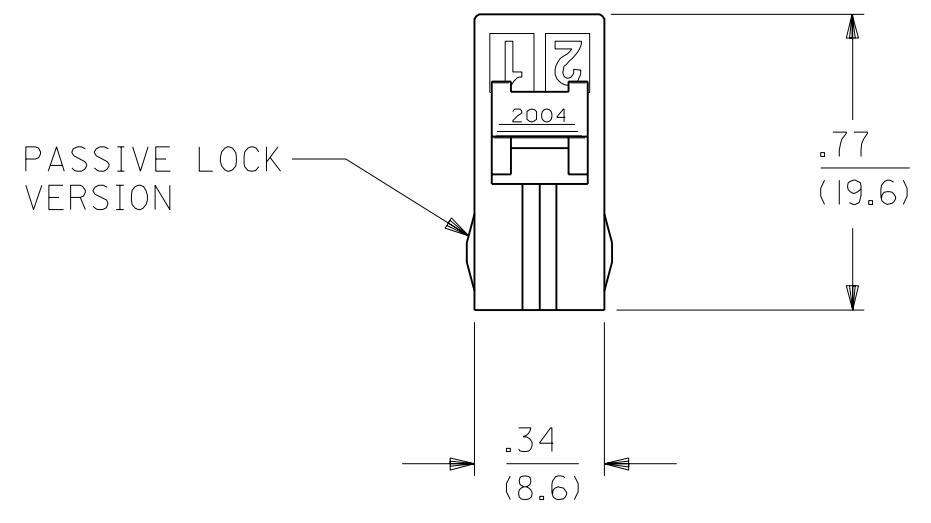
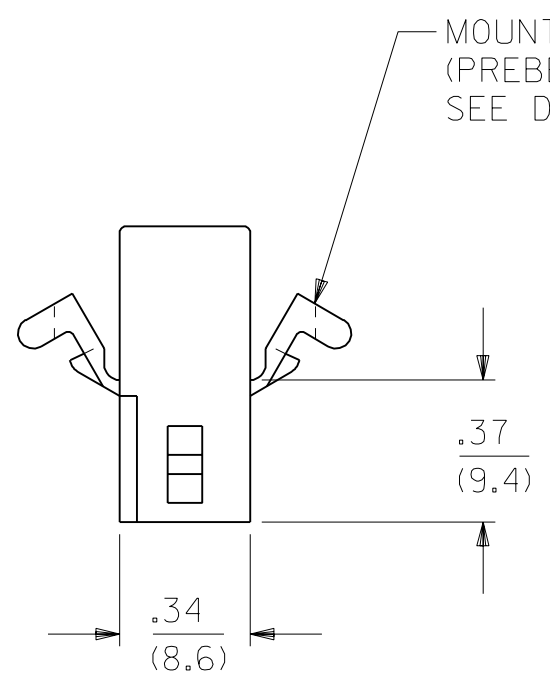
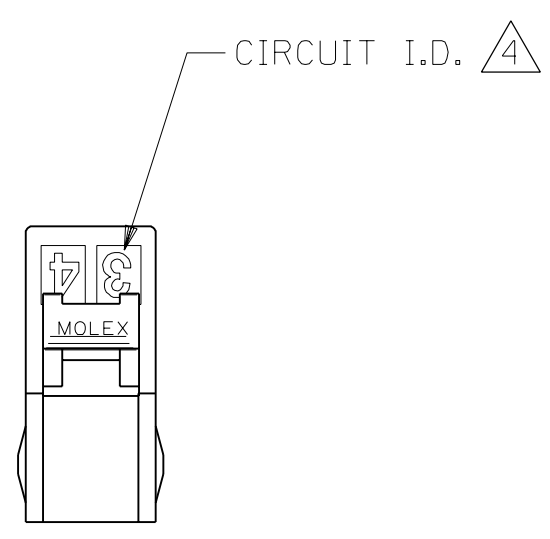
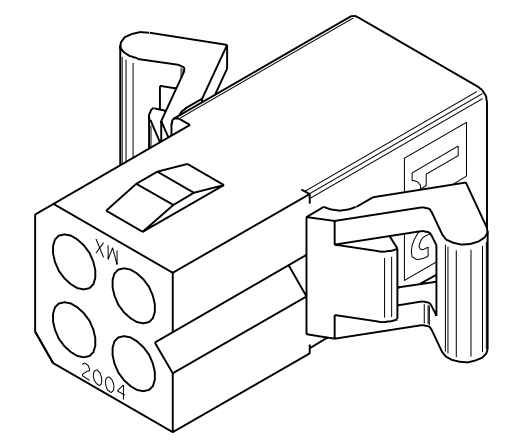
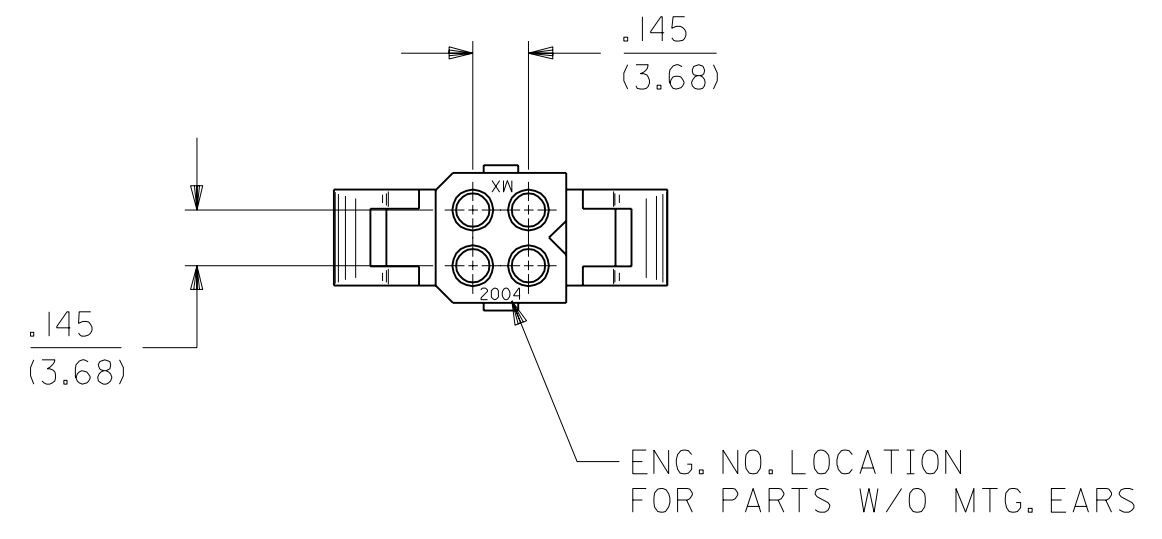


**DETAIL 1**  
POSITIVE LOCK VERSION  
ENG. NO. 2004-R5\*



ALLOWANCE OF  $\frac{.000}{.060}$  (2 PL.) FOR CUT OFF OF MOUNTING EARS  
**DETAIL 2**  
RECEPTACLE WITHOUT EARS OR DETENTS, ENG. NO. 2004-R3\*



**RECEPTACLE HOUSING**

DIMENSIONS SHOWN (METRIC) INCH		▽ = 0 ▼ = 0		REVISE ONLY ON CAD SYSTEM	
UNLESS OTHERWISE SPECIFIED TOLERANCES: ANGULAR ± 10°		TITLE		PLUG AND RECEPTACLE HOUSINGS, 4 CIRCUIT .062/(1.57) DIA.	
		INCH		METRIC	
3 PLACE	± .010	---		---	
2 PLACE	± .014	± 0.25		---	
1 PLACE	---	± 0.36		---	
DRAFT WHERE APPLICABLE MUST REMAIN WITHIN DIMENSIONS					
DRWG. BY: GJC		CHK'D. BY: RW		SHEET NO. 2	
APP'D. BY: RS		SCALE: 4:1		DATE: 8/27/91	
LTR. REVISIONS		LTR. REVISIONS		PART NO. SEE CHART	
				DRWG. NO. SD-2004-*	
				FILE NAME: H2004C4_S05	
				DIV. CP	
				SIZE C	

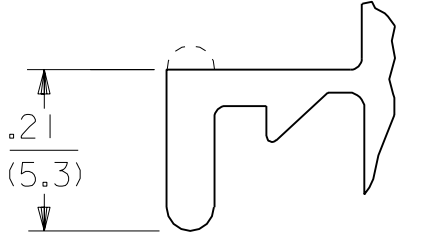
PLUG		
PART NO.	ENG. NO.	
03-06-2043	2004-P	
03-06-7043	2004-PBK	
03-06-2044	2004-P1	
03-06-7044	2004-P1BK	
PRELIMINARY	2004-P2	
03-06-7045	2004-P1RD	<b>OBSOLETE</b>
03-06-7046	2004-P1BN	<b>OBSOLETE</b>
03-06-7047	2004-P1OR	<b>OBSOLETE</b>

RECEPTACLE		
PART NO.	ENG. NO.	
03-06-1043	2004-R	
03-06-6043	2004-RBK	
03-06-1044	2004-R1	
03-06-6044	2004-R1BK	<b>OBSOLETE</b>
03-06-1046	2004-R3	<b>OBSOLETE</b>
03-06-1052	2004-R5	<b>OBSOLETE</b>
03-06-6052	2004-R5BK	<b>OBSOLETE</b>
PRELIMINARY	2004-R2	
03-06-6045	2004-RRD	<b>OBSOLETE</b>
03-06-6046	2004-RBN	<b>OBSOLETE</b>
03-06-6048	2004-ROR	<b>OBSOLETE</b>

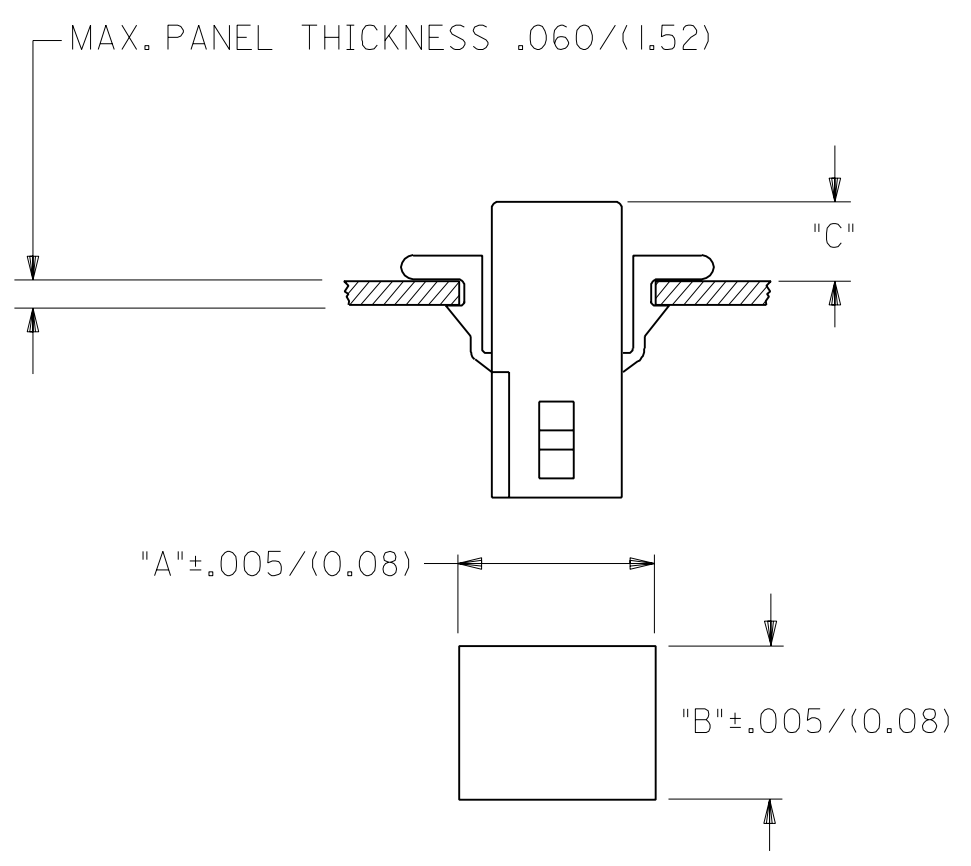
**LEGEND:**

2004-\*\*\*  
 P = PLUG  
 R = RECEPTACLE  
 BLANK = WITH STANDARD EARS  
 1 = WITHOUT EARS  
 2 = WITH PREBENT EARS  
 3 = W/O EARS, W/O DETENTS  
 5 = W/O EARS, WITH POSITIVE LOCKS

**COLOR:**  
 BLANK = NATURAL  
 AM=AMBER BK=BLACK BU=BLUE  
 BN=BROWN GY=GRAY GN=GREEN  
 OR=ORANGE RD=RED YW=YELLOW



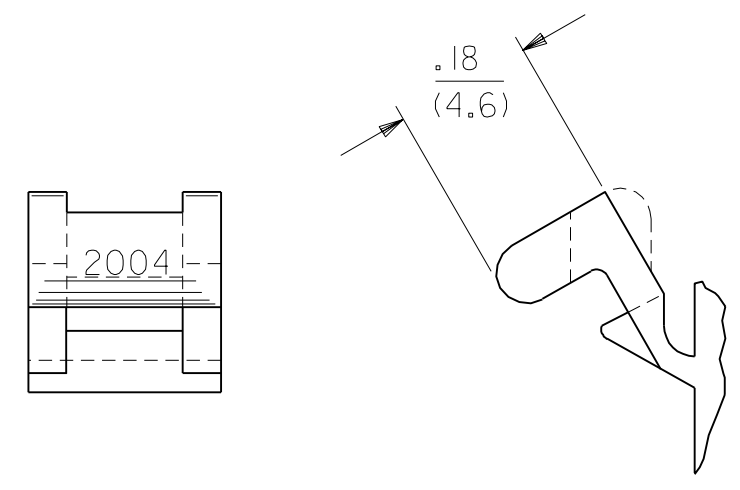
**NOTE:**  
 THIS DRAWING ENCOMPASSES ALL 2004 SERIES HOUSINGS EXCEPT 2004-R7.



- NOTES:**
- MATERIAL - NYLON TYPE 6/6, 94V-2
  - THIS PRODUCT COMPLIES WITH MOLEX PRODUCT SPEC 02-06.
  - HOUSINGS FOR USE WITH MOLEX .062/(1.57) DIA. SERIES TERMINALS.
  - CIRCUIT I.D. NUMBERS ON SIDE OF HOUSING APPEAR ON PARTS FROM TOOLS BUILT AFTER 8/26/91.
  - THIS DIMENSION .020/(0.51) LESS ON TOOLS BUILT PRIOR TO 8/26/91.

**RECOMMENDED HOLE PATTERN**

HOUSING	DIM. "A"	DIM. "B"	PREBENT EAR DIM. "C"	STD. EAR DIM. "C"
PLUG	.615 (15.62)	.465 (11.81)	.26 (6.6)	.26 (6.6)
RECEPTACLE	.506 (12.85)	.400 (10.16)	.24 (6.1)	.24 (6.1)



**DETAIL 4**  
 PREBENT MOUNTING EARS  
 (SCALE 4:1)

**DETAIL 3**  
 STANDARD MOUNTING EARS  
 (SCALE 4:1)

DIMENSIONS SHOWN (METRIC) INCH		▽ = 0	▼ = 0	REVISE ONLY ON CAD SYSTEM
UNLESS OTHERWISE SPECIFIED TOLERANCES: ANGULAR ± 10°		TITLE		
INCH METRIC		PLUG AND RECEPTACLE HOUSINGS, 4 CIRCUIT .062/(1.57) DIA.		
3 PLACE ± .010	---	MOLEX INCORPORATED		
2 PLACE ± .014	± 0.25	LITSLLE, ILL. 60532 U.S.A.		
1 PLACE ---	± 0.36	SHEET NO. 3 DATE 8/28/91		
DRAFT WHERE APPLICABLE MUST REMAIN WITHIN DIMENSIONS		PART NO. SD-2004-*		
DRWG. BY JJS		SEE CHART		
CHK'D. BY RW		FILE NAME H2004C4_S06		
APP'D. BY RS		THIS DRAWING CONTAINS INFORMATION THAT IS PROPRIETARY TO MOLEX INC. AND SHOULD NOT BE USED WITHOUT WRITTEN PERMISSION.		
SCALE 2 : 1		DIV. CP		
LTR. REVISIONS		C		