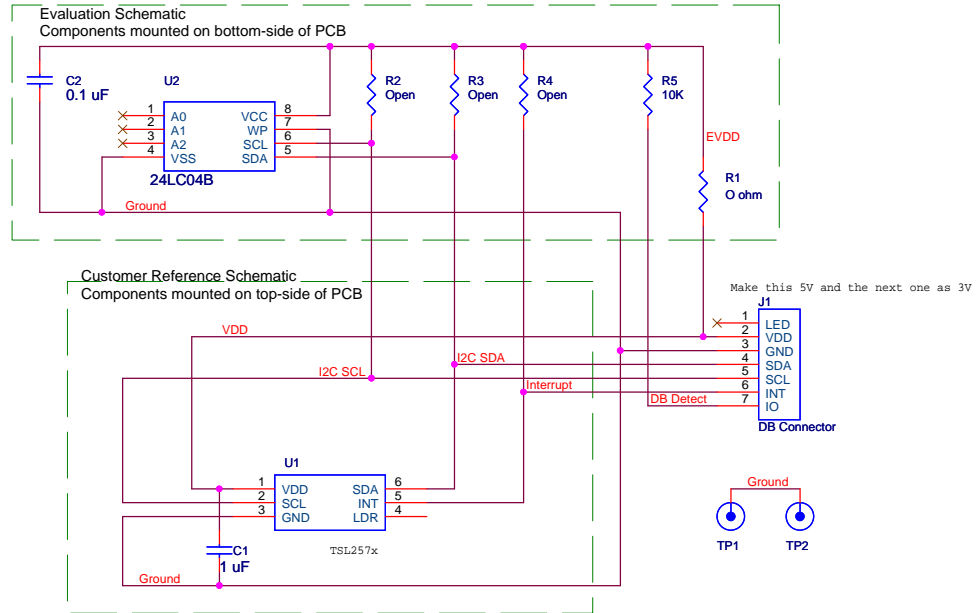



Notes:

- 4 layer PCB: 2 layers for Customer Reference and 2 layers for Evaluation.
- 20 mil trace (minimum) on all power and ground routes.
- Decoupling capacitors are physically close to U1 VDD and U2 VCC, respectively.
- Designed for TCS347x and can be used with TSL257x.
- All passive components are EIA0603..
- Assembly drawing:
- PCB drawing:



 TAOS <small>TEXAS ADVANCED OPTOELECTRONIC SOLUTIONS™</small>		
Title		
TCS3472 Daughterboard		
Size	Document Number	Rev
B		C
Date: Tuesday, March 22, 2011		Sheet 1 of 1