

RH-AR

Handles

Rectangular cross section, aluminium

METRIC



HANDLE SHANKS

Anodised aluminium in natural colour, matte finish.
Threaded blind holes.

BAR

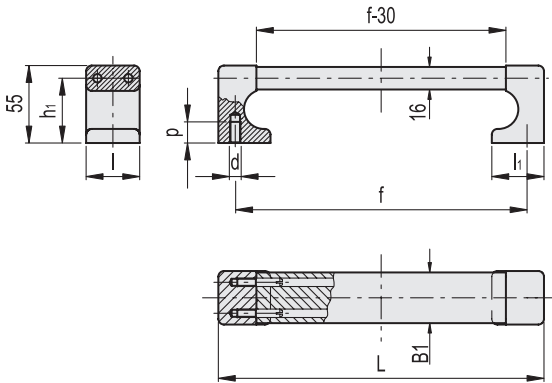
Anodised aluminium profile in natural colour, matte finish.

FEATURES AND APPLICATIONS

RH-AR series handles are generally used on machines and devices; their design is characterised by a very smooth surface without protruberances.

SPECIAL EXECUTIONS ON REQUEST

- Different lengths.
- Profiles and handle shanks in black or titanium colour.



METRIC

Code	f	L	d	p	B1	h1	l	li	△△
RHAR-36.300.N01	300	324	M8	15	36	46	38	37	605
RHAR-36.500.N01	500	524	M8	15	36	46	38	37	850

Conversion Table			
1 mm = 0.039 inch			
L			
mm	inch	mm	inch
324	12.75	530	20.87
330	12.99	730	28.74
524	20.63	100	3.94

RH-HV

Tubular handles

Rectangular cross section, aluminium

METRIC



TUBE AND HANDLE SHANKS

Aluminium, epoxy resin coating, semi-matte finish.

L-SHAPED CONNECTION ELEMENTS

Die-cast aluminium, epoxy resin coating, black colour, semi-matte finish.

STANDARD EXECUTIONS

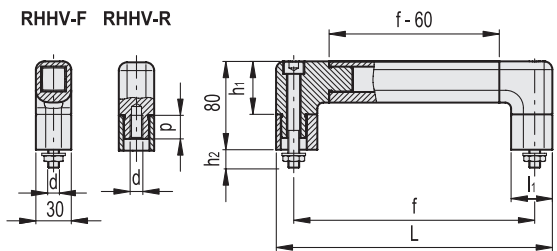
- **RHHV-F**: front mounting, pass-through holes for stainless steel cylindrical-head screws with hexagon socket and zinc-plated self-locking nuts, included in the supply.
- **RHHV-R**: back mounting, threaded blind holes.

FEATURES AND APPLICATIONS

The RH-HV series tube length and handle shanks height, can be used in many different applications.

SPECIAL EXECUTIONS ON REQUEST

Different lengths and heights.



METRIC

RHHV-F

Code	f	L	d	h2	h1	li	△△
RHHV-F300.80.80.54	300	330	M10	20	45	35	934
RHHV-F500.80.80.54	500	530	M10	20	45	35	1200
RHHV-F700.80.80.54	700	730	M10	20	45	35	1470

RHHV-R

Code	f	L	d	p	h1	li	△△
RHHV-R300.80.80.54	300	330	M10	20	45	35	745
RHHV-R500.80.80.54	500	530	M10	20	45	35	1015
RHHV-R700.80.80.54	700	730	M10	20	45	35	1283

