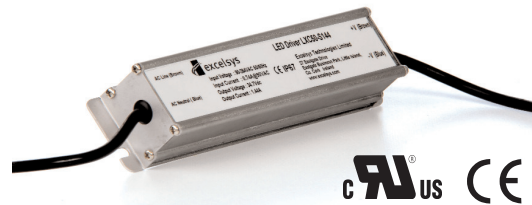


LXV36 series

LED Power Supply

Constant Voltage LED Power Supplies

LED Power
36W

LED POWER

next generation power source

FEATURES

- High Efficiency (up to 88%)
- Active PFC (Typical 0.92)
- IP67 Waterproof
- OVP, SCP, OCP
- -35 to +70°C deg operation
- Universal Input 90-305VAC
- UL8750 recognised
- EN61347-1, -2-13 compliant

The LXV36 series of Constant Voltage LED power supplies from Excelsys Technologies can deliver up to 36W of output power in an extremely compact package size.

The LXV36 series of Constant Voltage LED power supplies provides up to 1500mA of output current and 48V output voltage solutions for specific LED requirements. With industry leading efficiencies, and an extensive protection feature set, the LXV36 series provides high reliability and high performance in a compact package

The LXV36 series carries the UL & CE mark for safety and is also RoHS compliant.

Model Number	Output Voltage	Output Current	Input Voltage	Efficiency
LXV36-024SW ⁽³⁾	24V	1500mA	90-305VAC	87.0%
LXV36-036SW ⁽³⁾	36V	1000mA	90-305VAC	87.0%
LXV36-048SW ⁽⁴⁾	48V	750mA	90-305VAC	88.0%

Input Specifications					
Parameter	Conditions/Description	Min	Nom	Max	Units
Input Voltage Range	Universal Wide Input	90		305	VAC
Input Frequency Range		47		63	Hz
Input Current	100VAC in, 36W output			0.6	A
Leakage Current	277VAC Input, 50Hz			0.75	mA
Inrush Current	230VAC in, 25°C, Cold Start			60	A
Power Factor	220VAC, 110VAC	0.92		0.98	
Output Specifications					
Parameter	Conditions/Description	Min	Nom	Max	Units
Line Regulation				±2	%
Load Regulation				±3	%
Output Voltage	See individual models				VDC
Output Current	See individual models				mA
Ripple and Noise	20MHz Bandwidth. See Note 1	3.0		5.0	V
Overshoot/Output Current				10	%
Turn-on Delay	Measured at 220VAC and full load		0.3	0.5	s
Short Circuit Protection	Auto Recovery				
Over Current Protection	Hiccup, Auto recovery	110	125	170	%
Over Voltage Protection	Hiccup, Auto recovery	110	120	130	%
General Specifications					
Parameter	Conditions/Description	Min	Nom	Max	Units
Isolation Voltage	Input to Output See Note 2 Input to Chassis	3750 1500			VAC VAC
Efficiency	See individual models		88		%
Safety Agency Approvals	UL8750, EN61347-1, -2-13, UL1310 See Notes 3 & 4				
No load Power Dissipation	Measured at 230 Vac			4.0	W
MTBF	MIL-HDBK-217F, 110VAC input, 80% load, 25°C		469,000		Hours
Lifetime	110VAC input, 80% load, 45°C		74,000		Hours
Weight			480		g
Operating Temperature		-35		+70	°C
Storage Temperature		-40		+85	°C
Relative Humidity	Non-condensing (operating)	10		100	%RH

1

Specifications are subject to change without notice



Europe/Asia

Excelsys Technologies Ltd t: +353 21 4354716
 27 Eastgate Drive f: +353 21 4354864
 Eastgate Business Park e: sales@excelsys.com
 Little Island, Cork, Ireland
 IRELAND

North America

Excelsys Technologies t: (972) 771 4544
 519 Interstate 30, #309 f: (972) 421 1805
 Rockwall, TX 75087 e: salesusa@excelsys.com
 USA

EMC				
Parameter	Standard		Level	Units
Emissions				
Conducted	EN55015		Compliant	
Radiated	EN55015		Compliant	
Harmonic Distortion	EN61000-3-2		Compliant	
Flicker and Fluctuation	EN61000-3-3		Compliant	
Immunity				
ESD	EN61000-4-2		Compliant	
Radiated RFI	EN61000-4-3		Compliant	
Fast Transients - burst	EN61000-4-4		Compliant	
Conducted RFI	EN61000-4-6		Compliant	
Power Freq Magnetic Field	EN61000-4-8		Compliant	
Voltage Dips	EN61000-4-11		Compliant	

Note 1. Output connected in parallel with 0.1uF ceramic capacitor and 10uF electrolytic capacitor.

Note 2. Primary to Secondary Isolation test not to be carried out on power supply.

Note 3. UL1310 Class 2 outputs for USA and Canada.

Note 4. UL1310 Class 2 output in USA only.

INPUT / OUTPUT WIRING

INPUT CABLE

SJTW 18AWG 3C

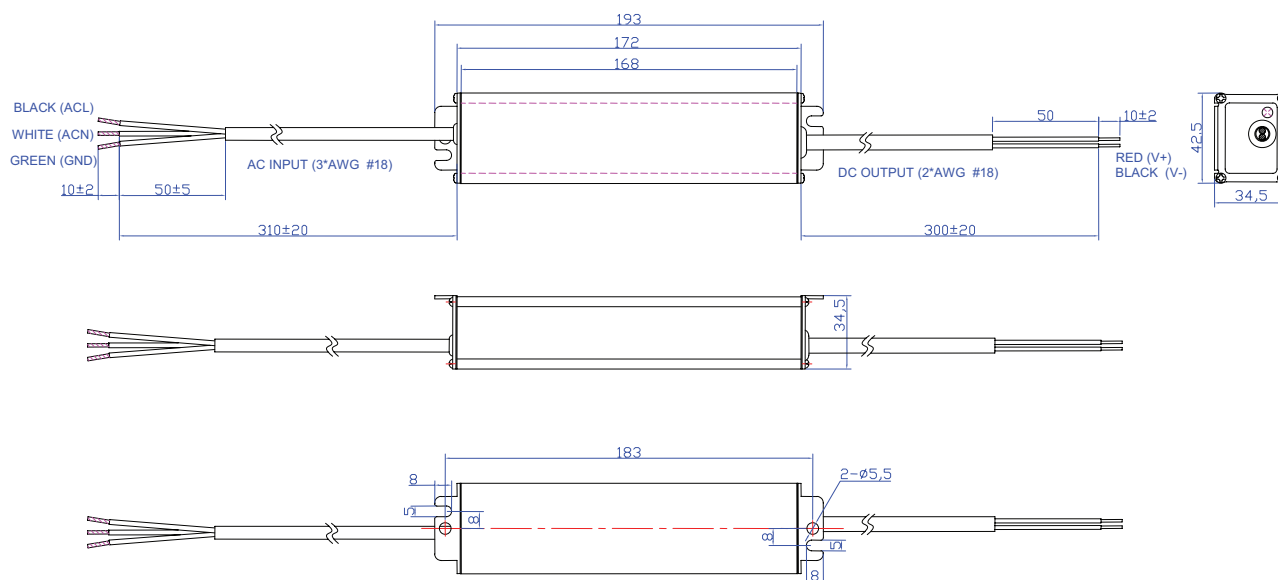
Black (L), White (N), Green (G) 310±20mm

OUTPUT CABLE

SJTW 18AWG 2C

Black (-V) and Red (+V) 300±20mm

MECHANICAL SPECIFICATIONS



Specifications are subject to change without notice



Europe/Asia

Excelsys Technologies Ltd t: +353 21 4354716
27 Eastgate Drive f: +353 21 4354864
Eastgate Business Park e: sales@excelsys.com
Little Island, Cork, Ireland
IRELAND

North America

Excelsys Technologies t: (972) 771 4544
519 Interstate 30, #309 f: (972) 421 1805
Rockwall, TX 75087 e: salesusa@excelsys.com
USA