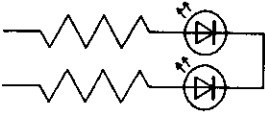
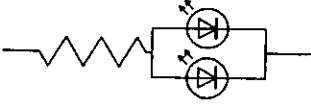
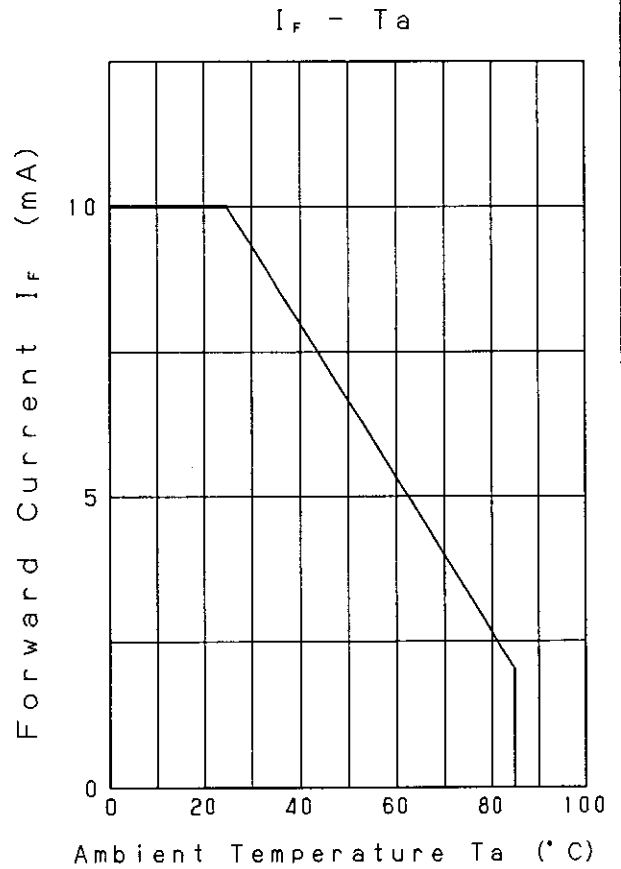
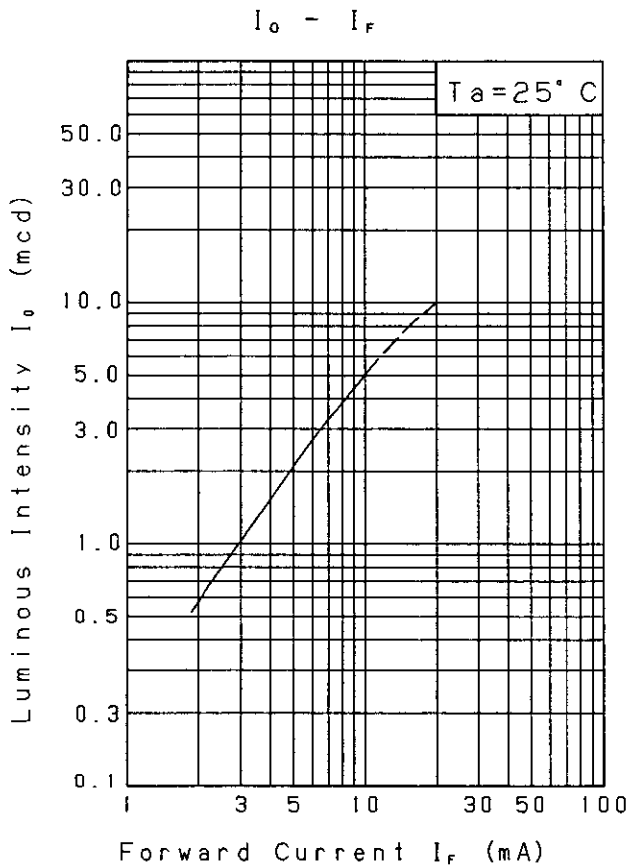
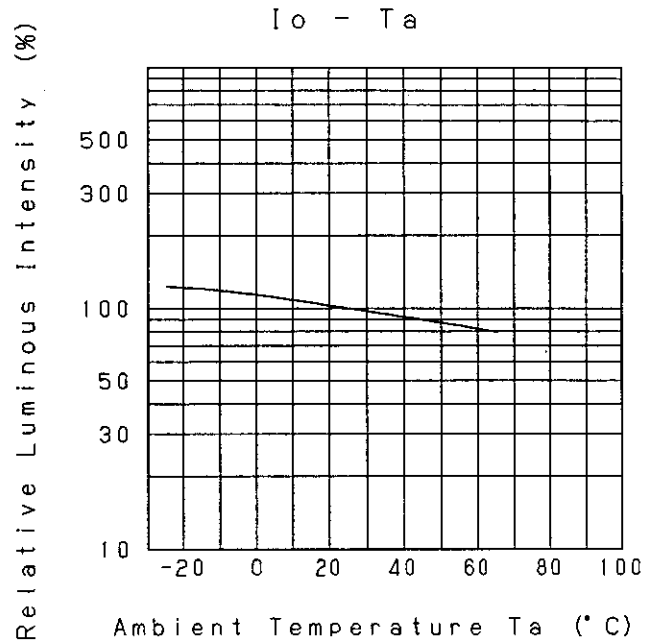
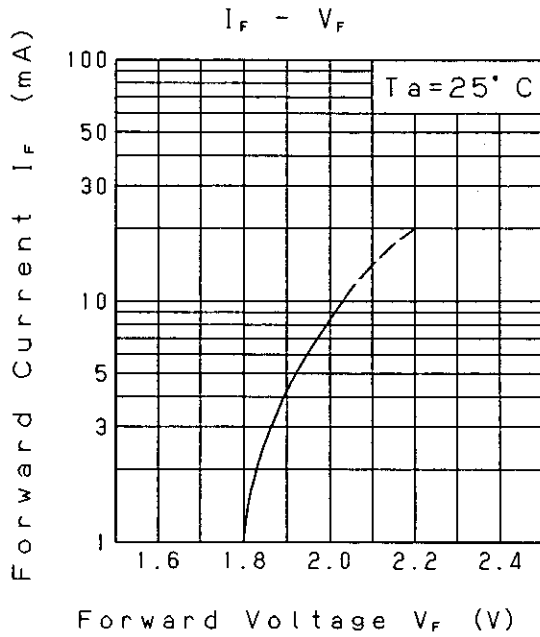


Approved	Checked	Designed	DEVELOPMENT SPECIFICATION					
		<i>K. Ohtani</i>	P/N : LN1371SGTRP					
TYPE		Green Light Emitting Diode						
APPLICATION		Indicators						
MATERIAL		GaP						
OUTLINE		Attached						
ABSOLUTE MAXIMUM RATINGS		P	※ I _{FP}	I _{FDC}	V _R	Topr	Tstg	
		30	50	10	4	-25~+85	-30~+100	
		mW	mA	mA	V	°C	°C	
CONDITION		Ta = 25 ± 3 °C						
Test Specification								
Item	Symbol	Condition	Typ	Limit		Unit		
				Min	Max			
Forward Voltage	V _F	I _F = 5 mA	1.9		2.4	V		
Reverse Leakage Current	I _R	V _R = 4 V			10	μA		
Luminous Intensity	I _O	I _F = 5 mA · DC	2.0	0.7		mcd		
Peak Emission Wavelength	λ _p	I _F = 5 mA · DC	565			nm		
Spectral Line Half Width	Δλ	I _F = 5 mA · DC	30			nm		
<p>※ · The Condition of I_{FP} is duty 10 %, Pulse width 1 ms</p> <p>· Please contact the Panasonic local office if you design at low current (below 0.5mA DC) or pulse current operation and have any questions.</p> <p>NOTE</p> <ol style="list-style-type: none"> 1. Compositions of the lead ... Cu/Ni/Au plating 2. Soldering conditions. Refer to Handling note. 3. Care should be taken that soldering is done within 3-days after opening the dry package and reel. 4. Package: Light green diffusion type. 5. Circuit to operate LED. 								
						<p>(A) Recommended circuit. (B) The difference of brightness between the LED could be found due to the V_F characteristics of each LED.</p>		
Oct. 27. 2001								

K. Otsu

P/N: LN1371SGTRP

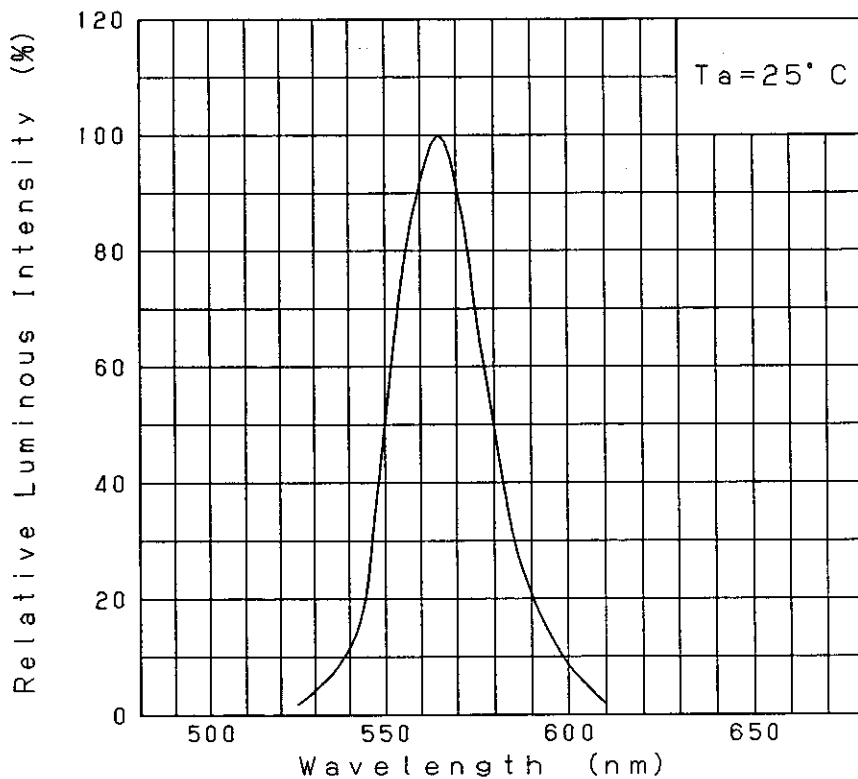


Oct. 27. 2001

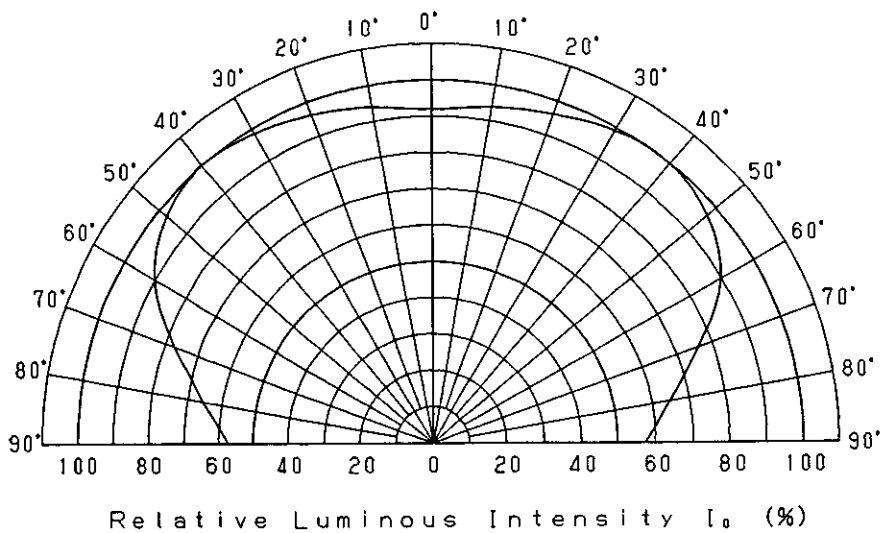
K. Ozawa

P/N: LN1371SGTRP

Relative Luminous Intensity
Wavelength Characteristics



Directive Characteristics

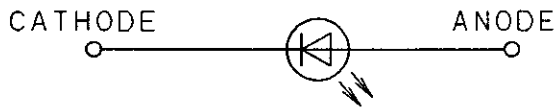
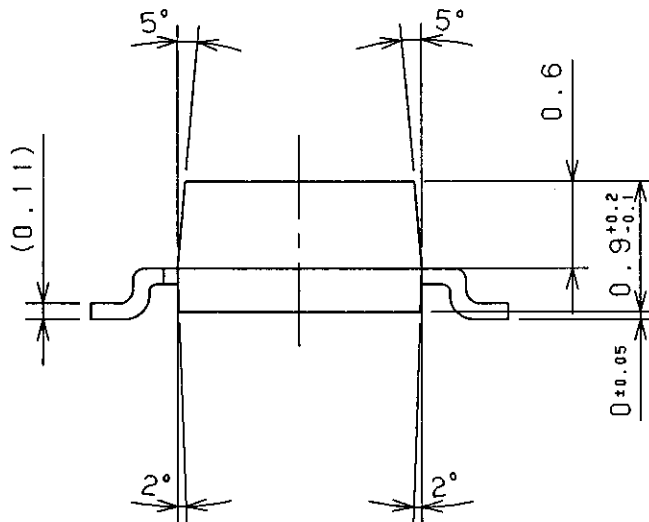
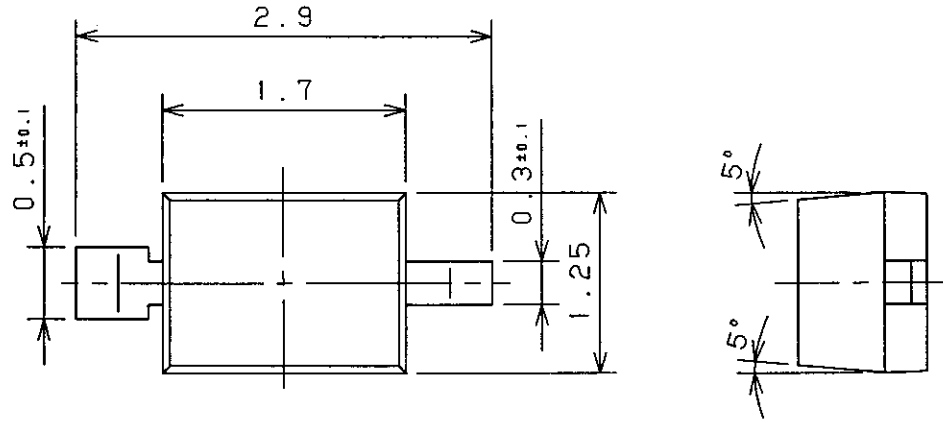


Oct. 27. 2001

Approved	Checked	Designed
		<i>K. Ozawa</i>

DEVELOPMENT SPECIFICATION
(OUTLINE)

P/N: LN1371SGTRP



(NOTE)

1. Unit: mm
2. Tolerance unless specified is ± 0.2 .
3. Measurement of the Package doesn't include gete projection.
4. Corner of the package is R 0.2max.
5. Projection's tolerance of the package is R 0.2max.

Oct. 27. 2001