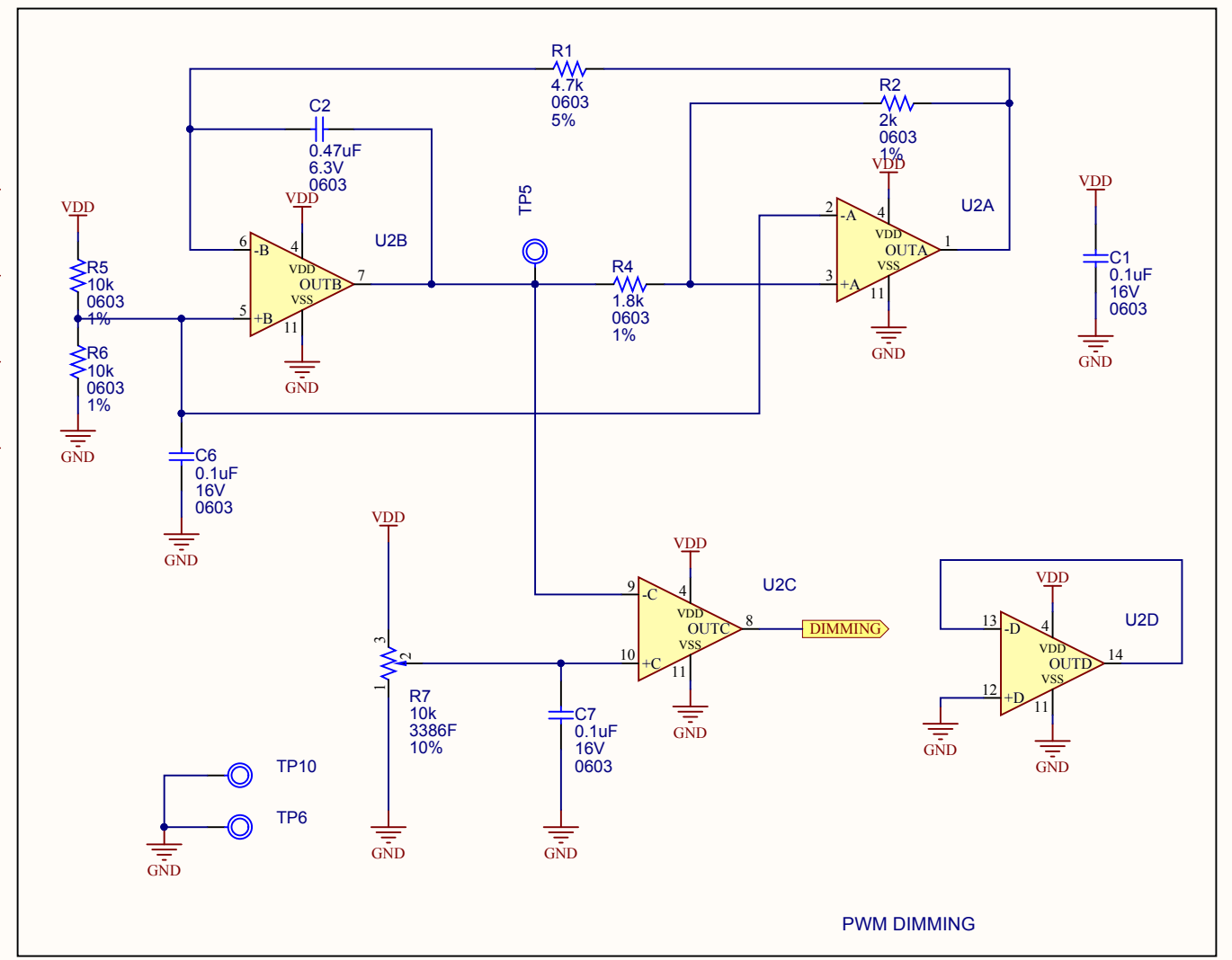
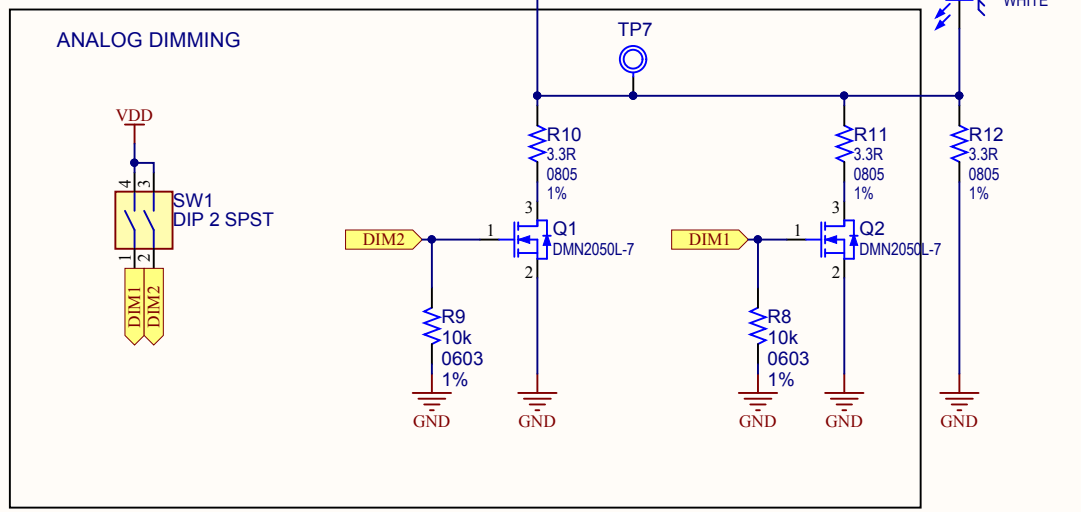
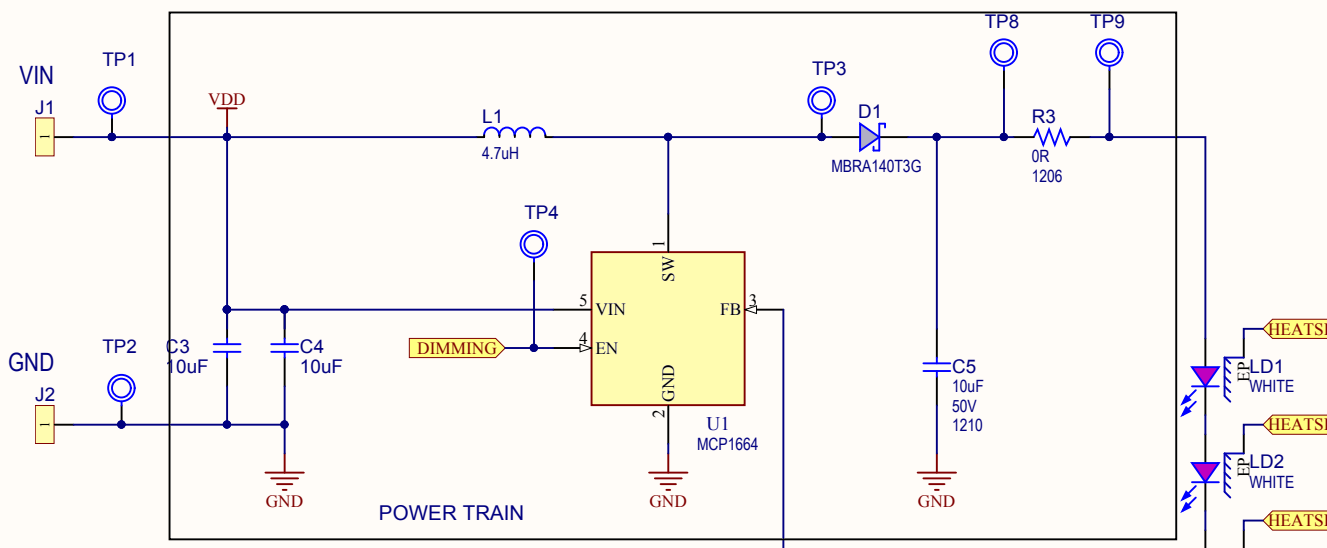






REV	ECO#	DESCRIPTION	DATE



-   
 PAD1  
 Rubber Pad Cyl D7.9H5.3
-   
 PAD2  
 Rubber Pad Cyl D7.9H5.3
-   
 PAD3  
 Rubber Pad Cyl D7.9H5.3
-   
 HS1  
 Heatsink SMD L19W19H4.8
-   
 TAPE1  
 TAPE THERMAL SHEET

Drawn By: Mihai Tanase		
Engineer: Mihai Tanase		
PartNumber: ADM00641		Project Title <b>MCP1664 Evaluation Board</b>
Sheet Title <b>MCP1664</b>		Designed with <b>Altium</b>
Size B	Sch #:03-10371 Revision:1.2	Date: 4/30/2015 9:55:02 AM Sheet * of *
File: MCP1664.SchDoc		