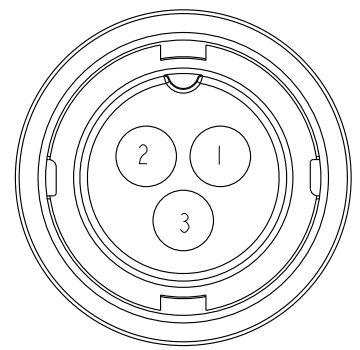
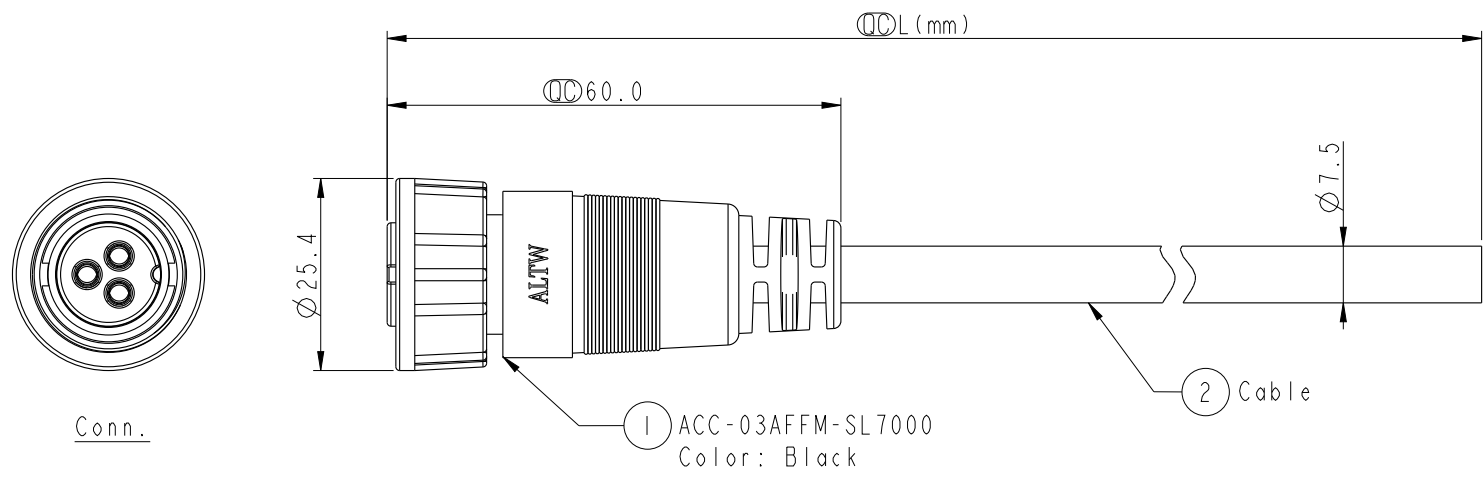


THIS DOCUMENT IS SUBJECT TO CHANGE WITHOUT NOTICE. IT IS CONFIDENTIAL AND A PROPERTY OF AMPHENOL LTW. DISCLOSURE TO THIRD PARTY HAS TO BE AUTHORIZED BY AMPHENOL LTW.

REV.	ECN NO.	DATE	SIGN	DESCRIPTION
B		2019-03-06	Su Nan	Update Dimensional Tolerances



Pin Assignments  
Front View

3	Black	黑
2	Blue	藍
1	Brown	棕
Conn.	Wire Color	
Pin Out		

ACC-03AFFM-SL7AXX

- XX : 01~99Meters
- 01 : 01Meter
- 02 : 02Meters
- ...
- 99 : 99Meters

Cable Length(L):01~99Meters

Note:

- \*  $\varnothing$  Important Dimension To Check.
- \* Waterproof Rate: IP67
- \* Housing: Nylon+GF, Black.
- \* Female Pin: Copper Alloy, Gold Plated.
- \* Screw Nut: Nylon+GF, Black.
- \* Cable: UL2464 16AWG\*3C+D+Al/My  
PVC Jacket UV Resistant, OD=7.5, Black.
- \* Cable Length Tolerance: 01M:40mm  
02M~05M:±60mm  
06M~10M:±100mm  
11M~30M:±200mm  
31M~99M:±500mm

UNIT:mm

TOLERANCE ±0.5mm  $\triangle B$

TITLE MIDDLE CABLE SCREW 3P F CONN F PIN			
SCALE 1:1	SIZE A4	SHEET 1 OF 1	
REV. B	WC-REV. B.1	$\varnothing$ : Inspection item	

**Amphenol LTW**  
安費諾亮泰企業股份有限公司

ITEM NO. ACC-03AFFM-SL7AXX	DRAWN BY Su Nan	DATE 2019-03-06
DWG NO. ACC-03AFFM-SL7AXX	CHECKED BY Peng	DATE 2019-03-06
CUSTOMER ALTW	APPROVED BY Jerry	DATE 2019-03-06