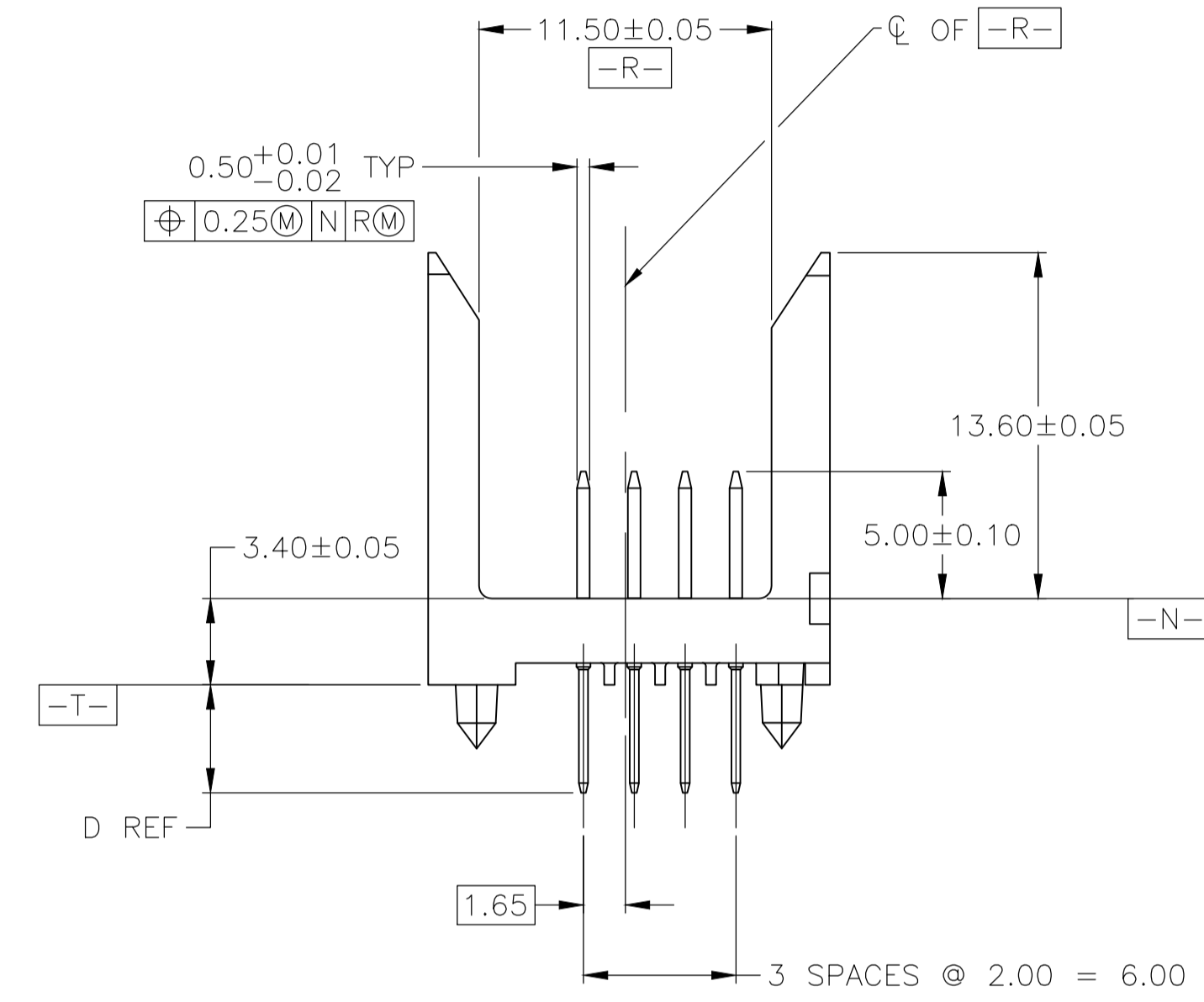
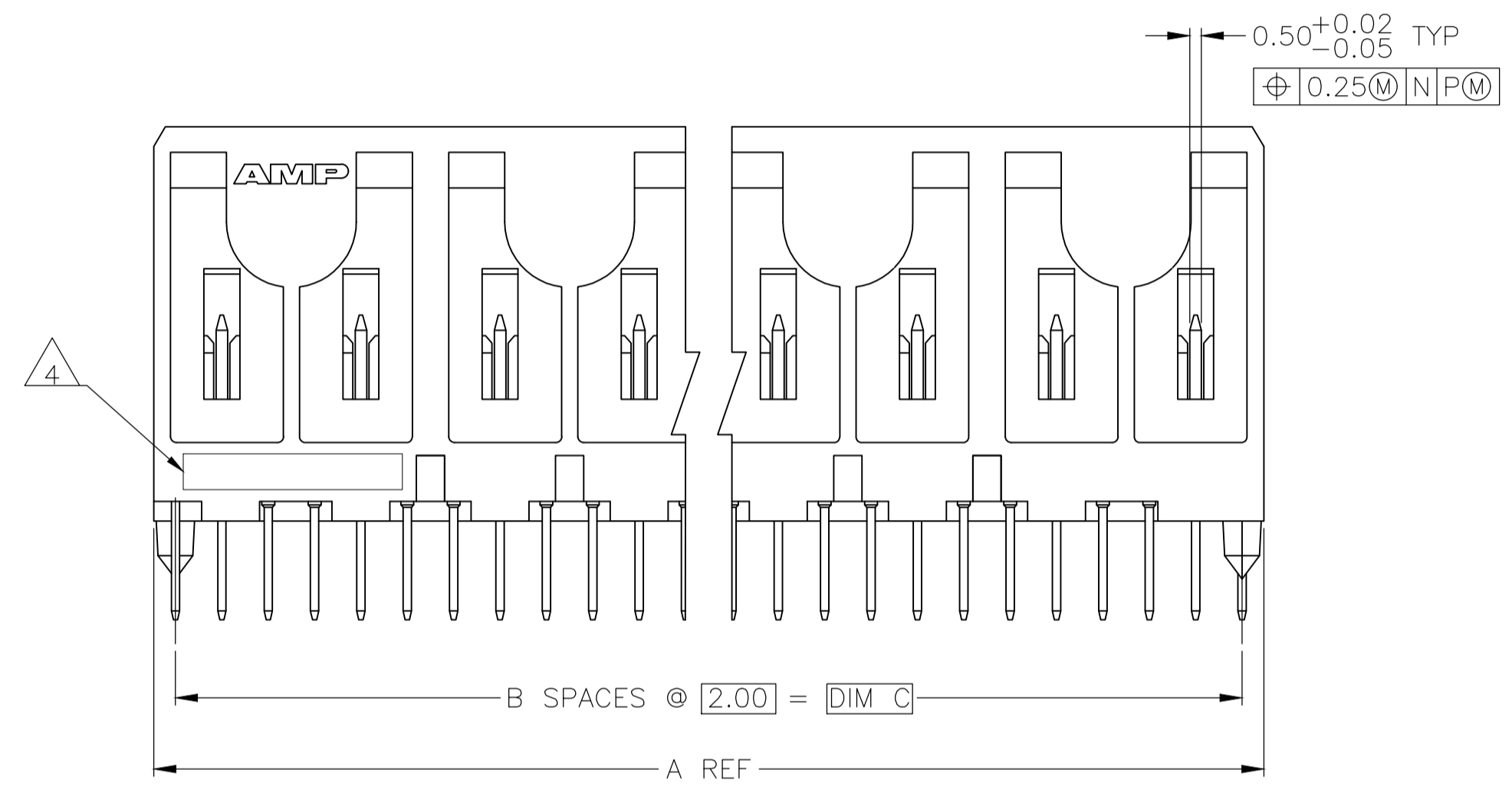
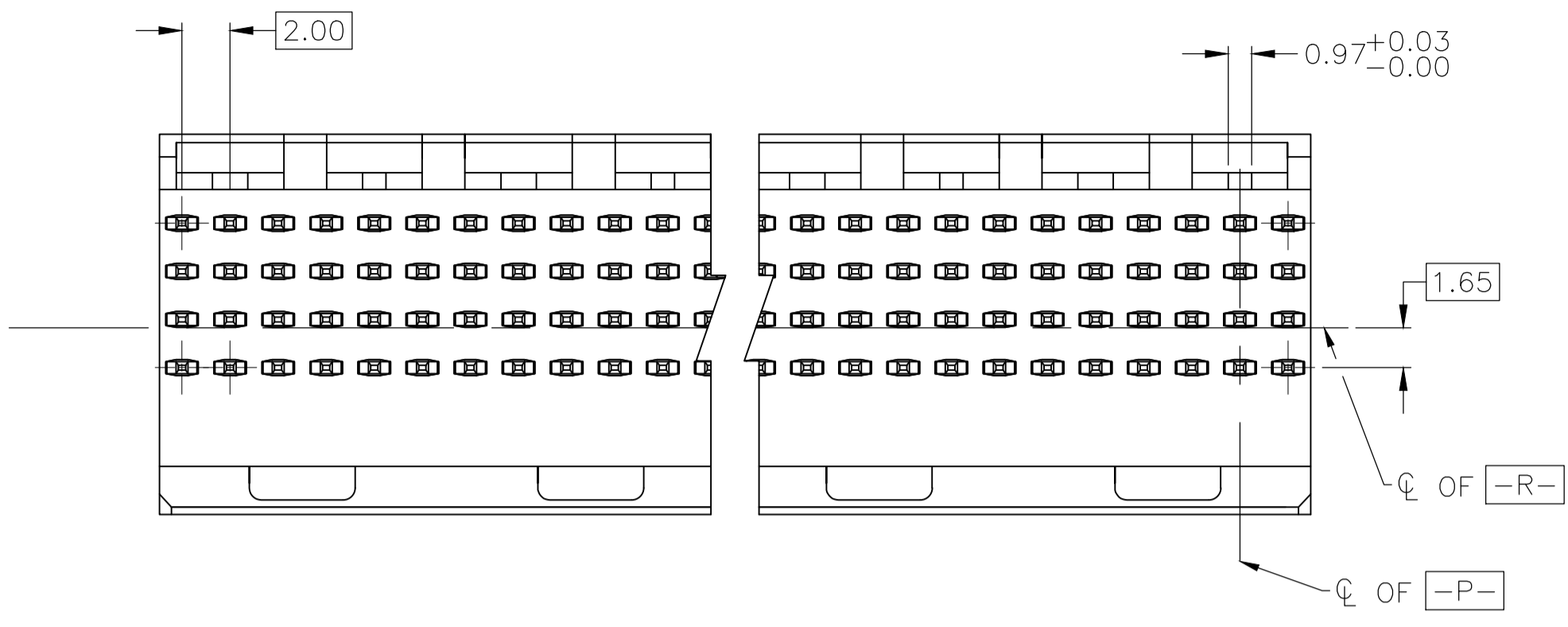
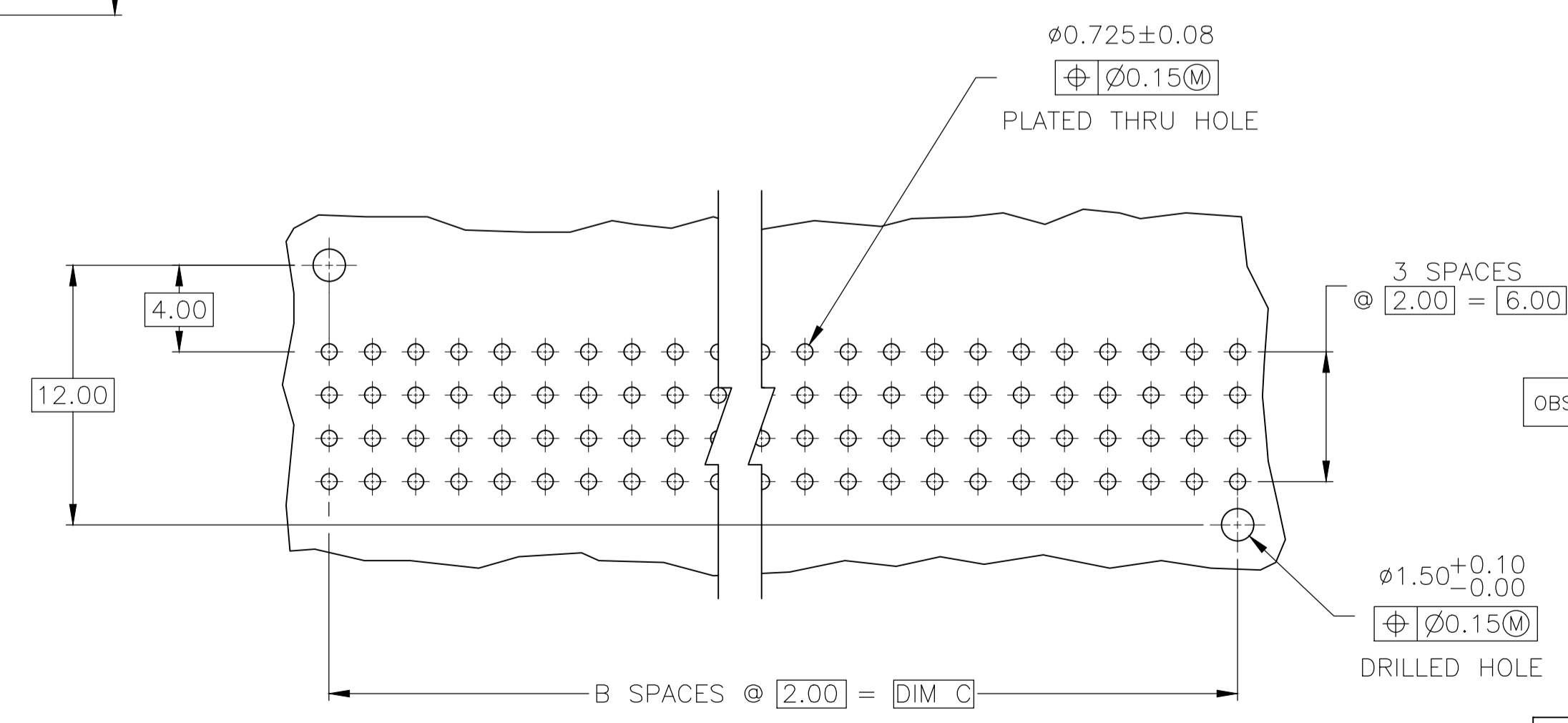
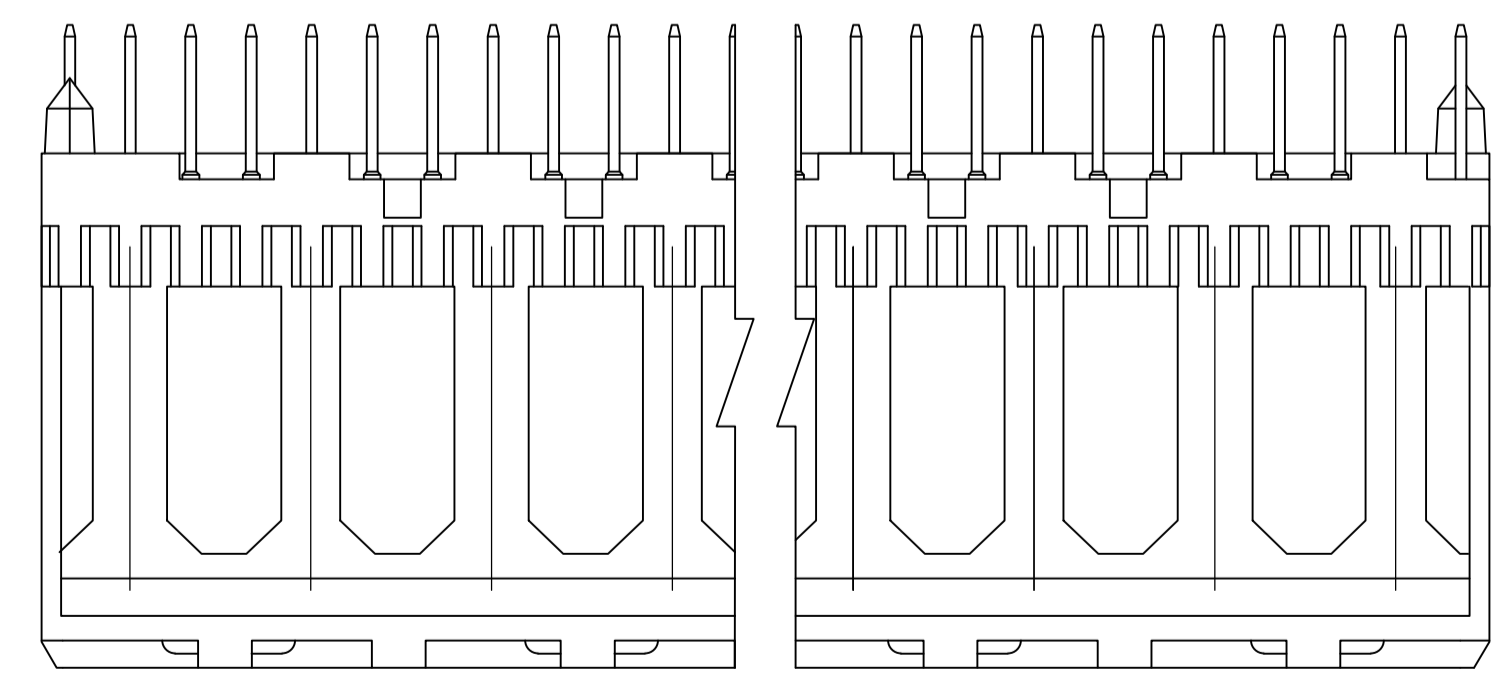
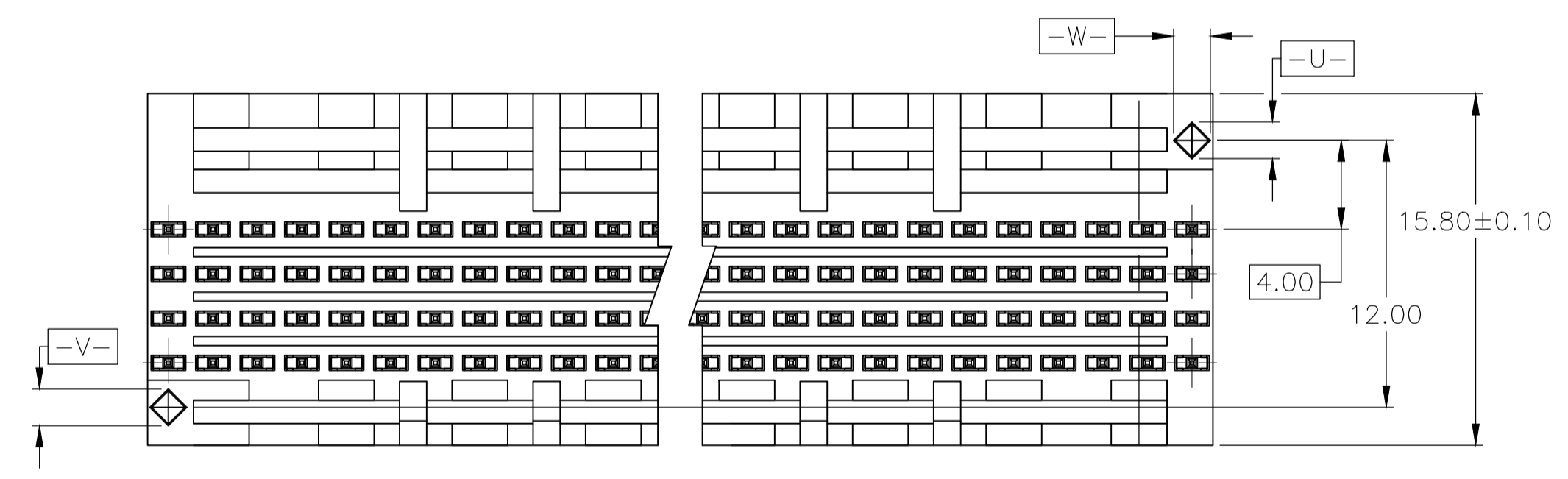
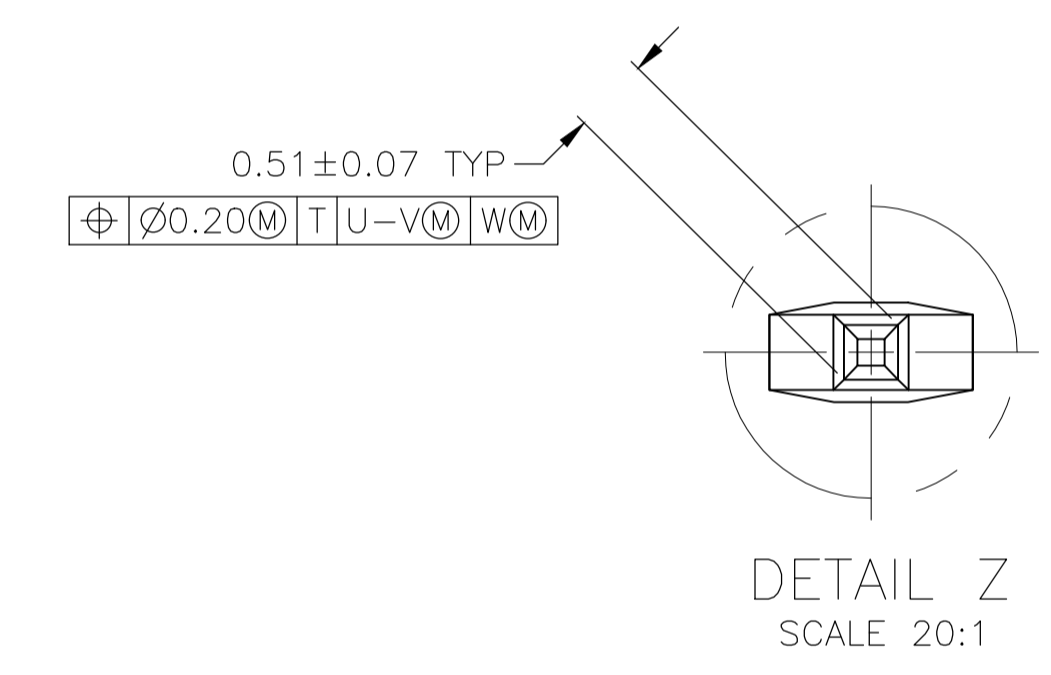


REVISIONS					
P	LTR	DESCRIPTION	DATE	DMN	APVD
A		REVISED PER ECO-20-013368	28SEP2020	RZ	HL



- 1 HOUSING MATERIAL: LIQUID CRYSTAL POLYMER PER ASTM D5138 LCP000 G30A 32250.
- 2 CONTACT MATERIAL: PHOSPHOR BRONZE.
- 3 CONTACT FINISH:
 UNDERPLATE (ENTIRE CONTACT):
 0.00127 MIN NICKEL PER SAE-AMS-QQ-N-290.
 ON MATING SURFACES:
 CONFORMS TO ALL TESTING SPECIFIED FOR TELCORDIA UNCONTROLLED ENVIRONMENT.
 ON LEADS:
 0.00381 MIN TIN PER ASTM B 545 OVER UNDERPLATE.
 LUBRICATION (MIN MATING SURFACES):
 SURFACE CONDITIONER AFTER PLATING.
- 4 PART MARKING, LOCATED APPROXIMATELY AS SHOWN.
- 5 CONTACT FINISH:
 UNDERPLATE (ENTIRE CONTACT):
 0.00127 MIN NICKEL PER SAE-AMS-QQ-N-290.
 ON MATING SURFACES:
 CONFORMS TO ALL TESTING SPECIFIED FOR TELCORDIA UNCONTROLLED ENVIRONMENT.
 ON LEADS:
 FLASH GOLD PER ASTM B 488 OVER UNDERPLATE.
 LUBRICATION (MIN MATING SURFACES):
 SURFACE CONDITIONER AFTER PLATING.



4.25	70.00	35	71.88	5	144	5536513-9
4.25	94.00	47	95.88	5	192	5536513-8
4.25	46.00	23	47.88	5	96	5536513-7
4.25	22.00	11	23.88	5	48	5536513-6
4.25	70.00	35	71.88	3	144	5536513-5
4.25	94.00	47	95.88	3	192	5536513-4
4.25	46.00	23	47.88	3	96	5536513-3
4.25	22.00	11	23.88	3	48	5536513-2
4.25	10.00	5	11.88	3	24	5536513-1
D	C	B	A	FINISH	NO OF POSN	NUMBER

RECOMMENDED CIRCUIT PATTERN
 PER IPC-D300 TYPE II, CLASS C
 (COMPONENT SIDE)

THIS DRAWING IS A CONTROLLED DOCUMENT.

DIMENSIONS: mm	TOLERANCES UNLESS OTHERWISE SPECIFIED:	0 PLC ± -	1 PLC ± -	2 PLC ± -0.13	3 PLC ± -	4 PLC ± -	ANGLES ± -
----------------	--	-----------	-----------	---------------	-----------	-----------	------------

MATERIAL: 1/2 FINISH: 3/5

WEIGHT: 0.000000

CUSTOMER DRAWING

SCALE: 4:1 SHEET: 1 OF 1 REV: A

THIS DRAWING IS A CONTROLLED DOCUMENT. DIN: B. MCMASTER 31AUG04. CJK: R. WERTZ 31AUG04. APVD: R. WERTZ 31AUG04. NAME: PIN ASSY SIGNAL MODULE Z-PACK 2mm FB 2mm 4R 5.00mm MATING LENGTH SOLDER END. SIZE: A1. CAGE CODE: 00779. DRAWING NO: 5536513. RESTRICTED TO: -