

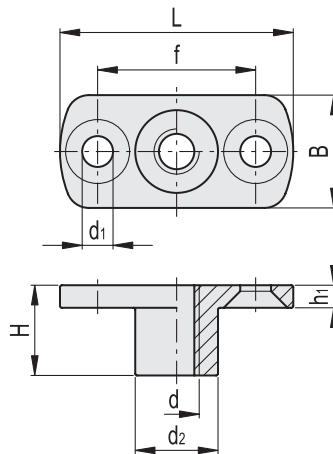
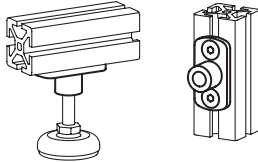
- 1
- 2
- 3
- 4
- 5
- 6
- 7
- 8
- 9
- 10
- 11
- 12**
- 13
- 14
- 15
- 16
- 17
- 18

STANDARD EXECUTIONS

- **LMTF-C9**: cast steel, epoxy resin coating, RAL 9005 black colour, matte finish.
- **LMTF-ZN**: cast zinc-plated steel.

FEATURES AND APPLICATIONS

LMTF threaded connections are generally used together with the aluminum profiles of size 30/40 mm, to allow the assembly of elements such as the levelling elements in different positions.



Conversion Table	
1 mm = 0.039 inch	
mm	inch
45	1.77
60	2.36

METRIC

Code	Description	B	L	d	d1	d2	H	h1	f	⚖
409701	LMTF-45-M6-16-C9	25	45	M6	6.2	15	16	6	30	55
409706	LMTF-45-M6-16-ZN	25	45	M6	6.2	15	16	6	30	55
409711	LMTF-45-M8-16-C9	25	45	M8	6.2	15	16	6	30	52
409716	LMTF-45-M8-16-ZN	25	45	M8	6.2	15	16	6	30	52
409721	LMTF-60-M10-24-C9	30	60	M10	8.2	21.5	24	6	40	108
409726	LMTF-60-M10-24-ZN	30	60	M10	8.2	21.5	24	6	40	108
409731	LMTF-60-M12-24-C9	30	60	M12	8.2	21.5	24	6	40	103
409736	LMTF-60-M12-24-ZN	30	60	M12	8.2	21.5	24	6	40	103

Levelling feet and supports