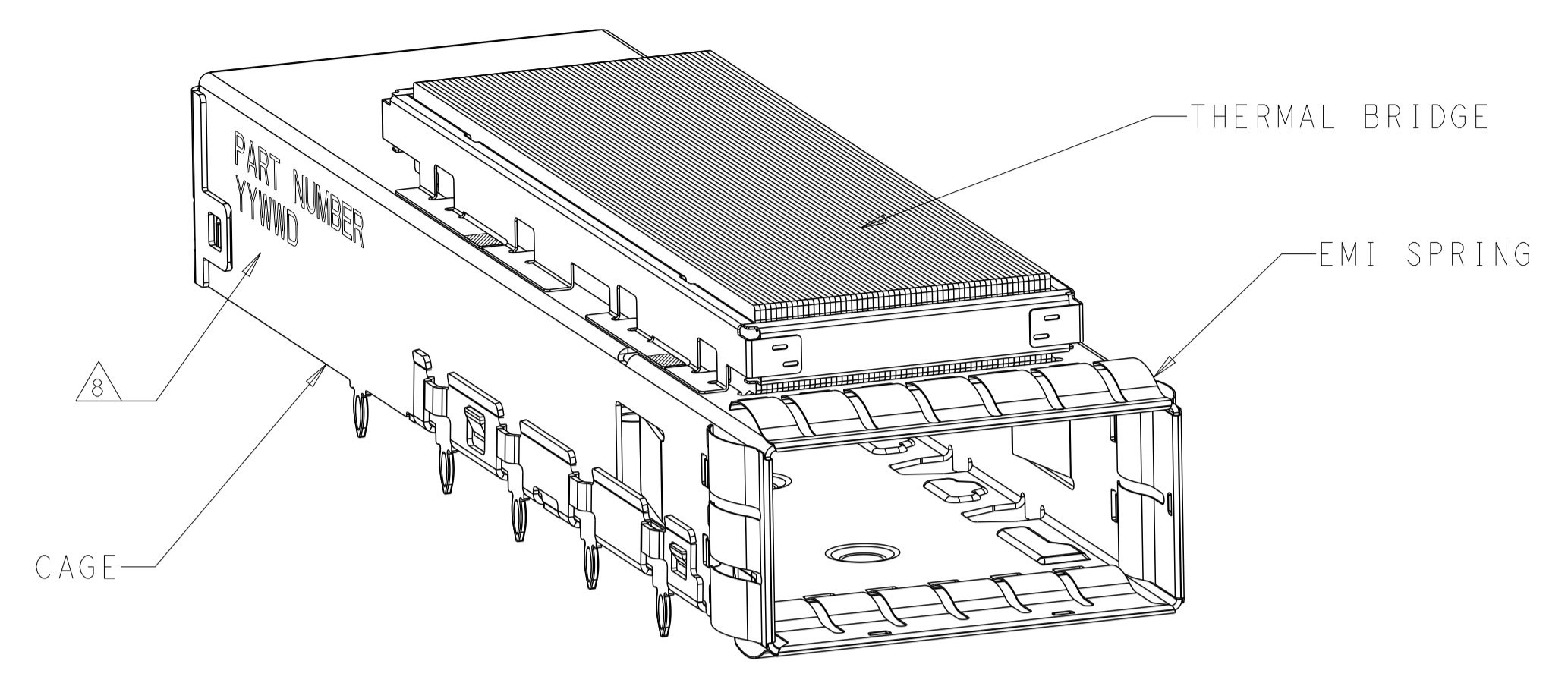
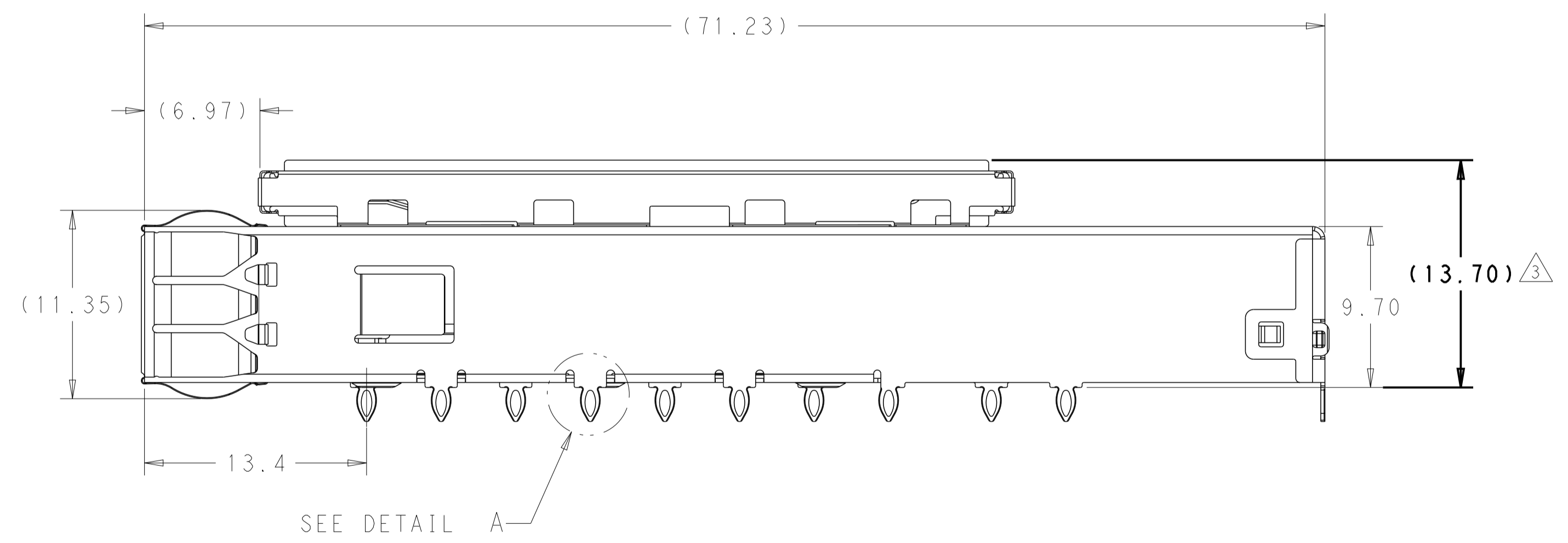
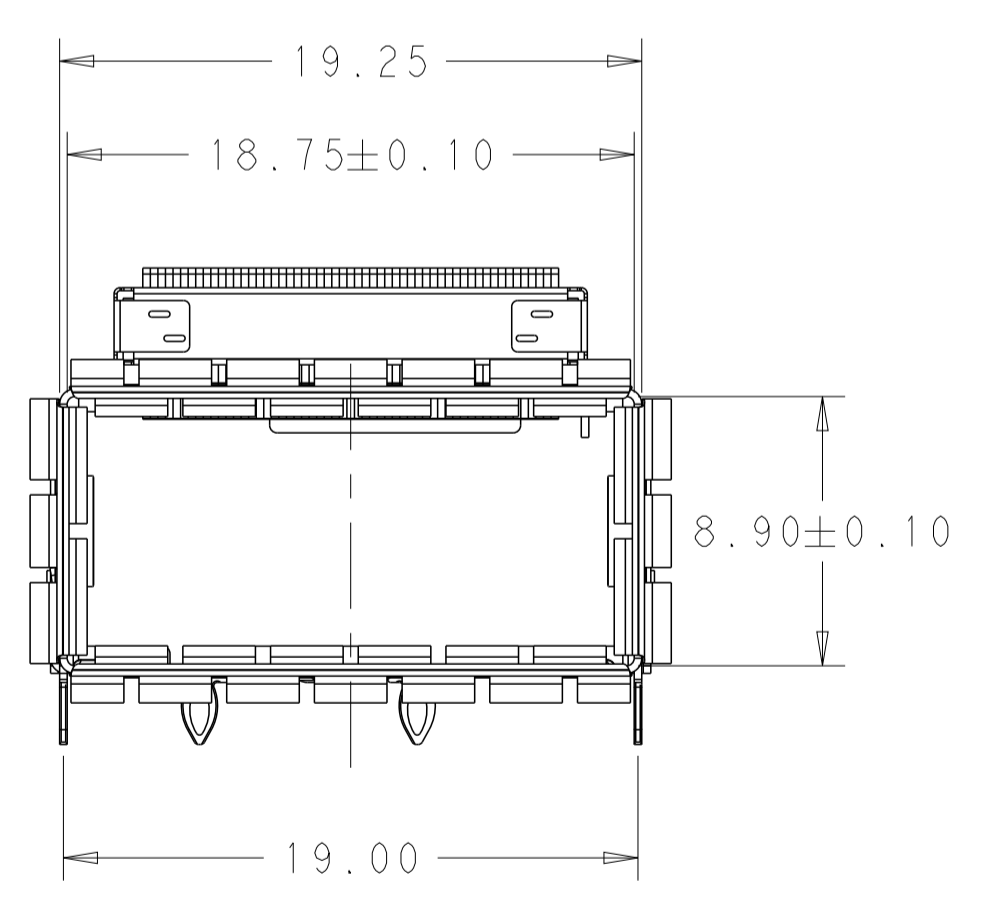
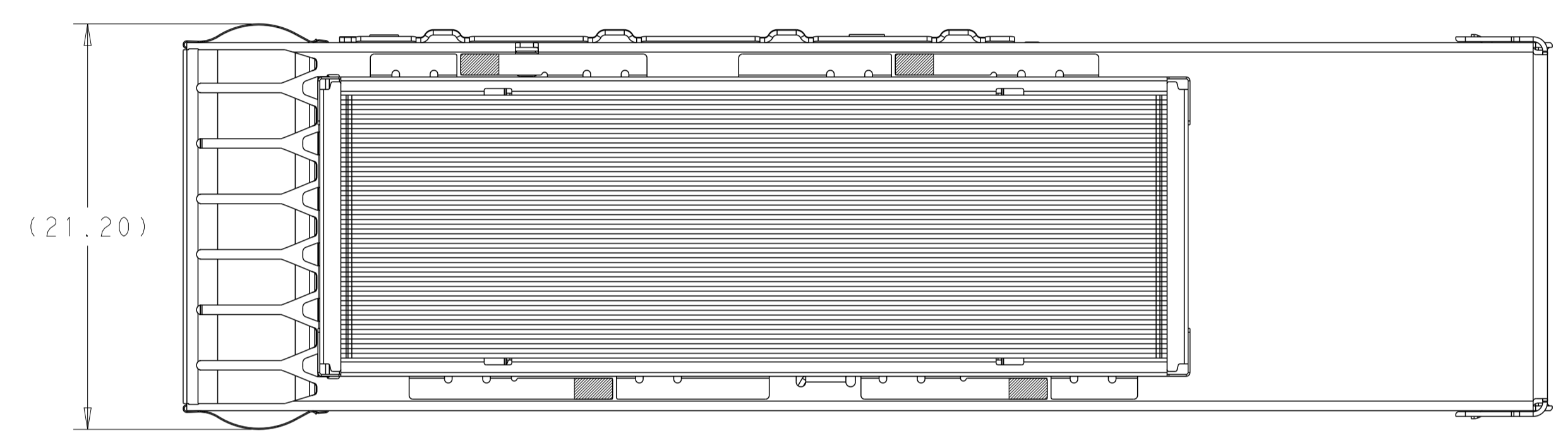


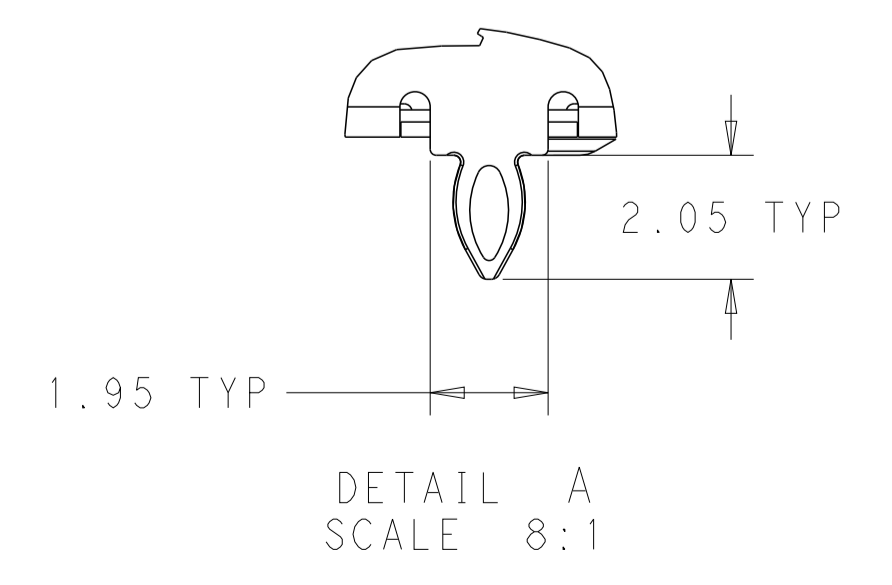
LOC	DIST	REVISIONS				
		REV	DESCRIPTION	DATE	OWN	APVD
		A	INITIAL RELEASE	04JUN2020	VL	SH
		A1	REMOVE NOTE11	30JUN2020	VL	SH
		A2	REVISED PER ECN-21-117003	28JUN2021	SH	SZ
		A3	REVISED PER ECN-22-181831	14OCT2022	SH	SZ



2354751-1 AS SHOWN
 SCALE 4:1

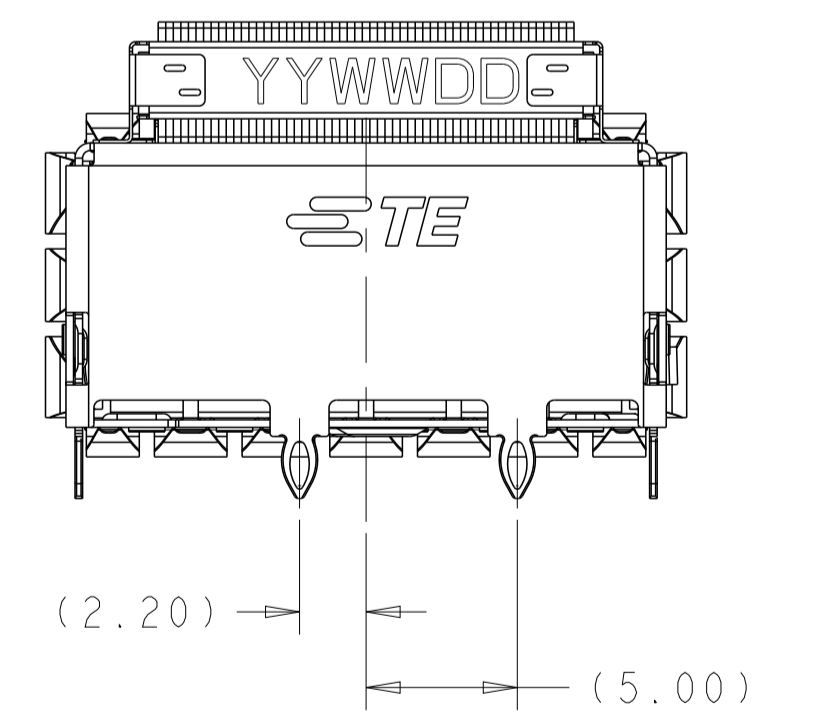


2354751-1
 SCALE 4:1



DETAIL A
 SCALE 8:1

- MATERIAL:
 CAGE MATERIAL : 0.25 THICK STAINLESS STEEL.
 SPRING MATERIAL: COPPER ALLOY
 THERMAL BRIDGE: COPPER ALLOY
- FINISH:
 SPRING: NICKEL PLATING
 CONNECTOR EMI SPRING: TIN PLATING
 THERMAL BRIDGE: ELECTROLESS NICKEL
- DIMENSION APPLIES PRIOR TO MODULE INSTALLED IN THE CAGE TO TOP OF THERMAL BRIDGE.
- REFERENCE APPLICATION SPEC 114-60025 FOR RECOMMENDED DRILL HOLE DIAMETER AND PLATING THICKNESS.
- DATUM AND BASIC DIMENSIONS ESTABLISHED BY CUSTOMERS.
- MINIMUM PC BOARD THICKNESS : SINGLES SIDED: 1.57 MIN
 DOUBLE SIDED: 3.00 MIN
- DATUM **-A-** IS TOP SURFACE OF THE HOST BOARD.
- DATE CODE (YYWW) MARKED APPROXIMATELY AS SHOWN
- MATES WITH QSFP DD MSA COMPATIBLE TRANSCEIVER.
- RECOMMENDED STANDOFF HEIGHT FOR COLD PLATE:
 OPTION 1: 13.50 +/-0.20 MM WITH THERMAL GREASE, THERMAL GREASE THICKNESS: 0.10+/-0.05MM.
 OPTION 2: 13.40+/-0.20 MM WITHOUT THERMAL GREASE.

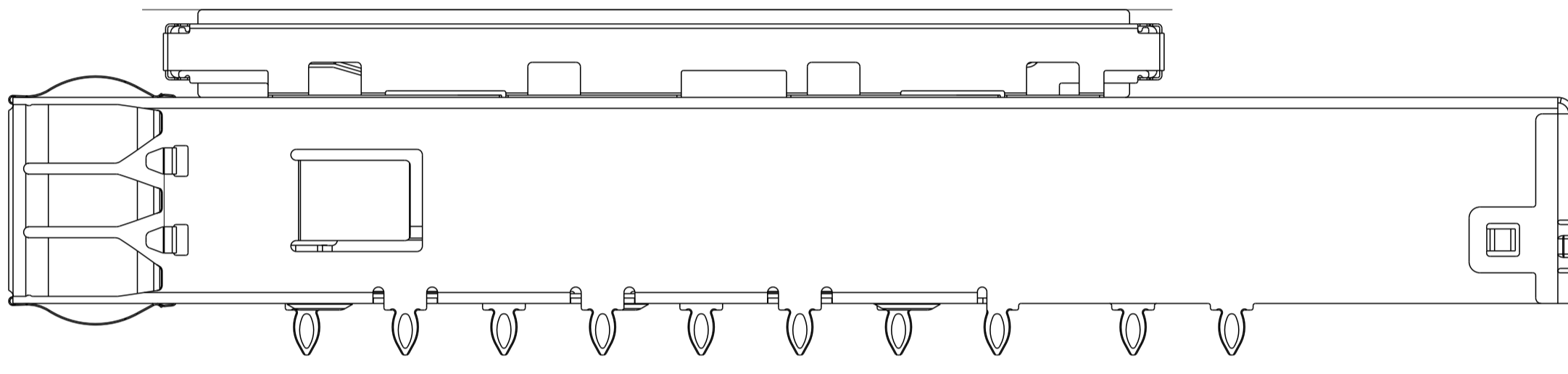
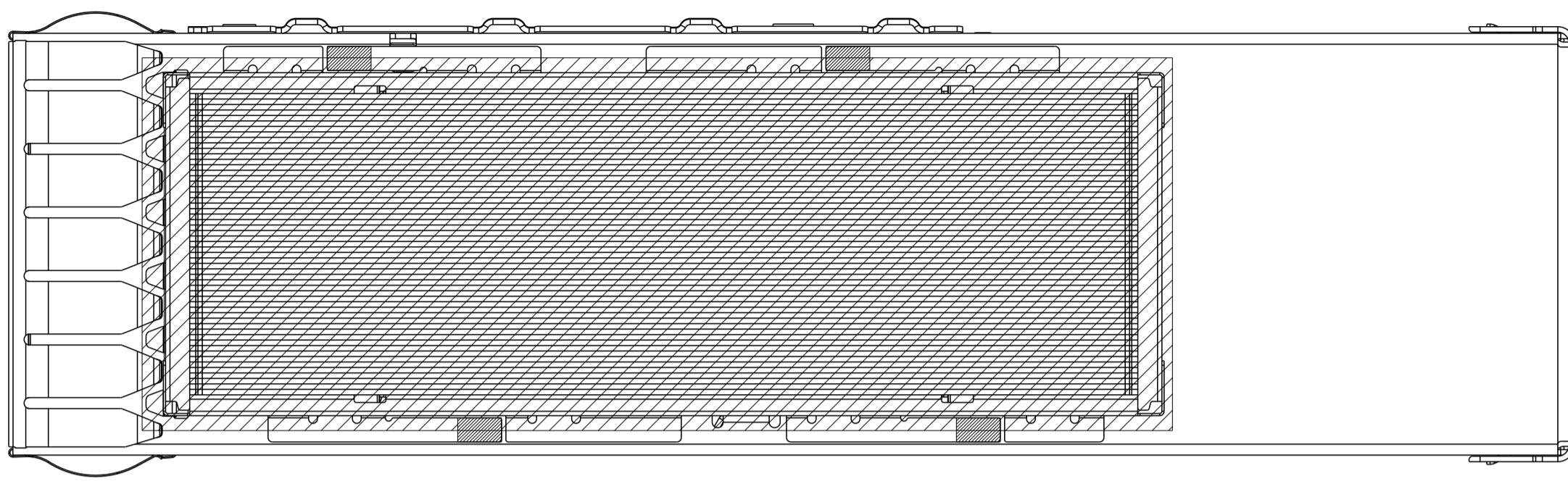


STANDARD	0	2354751-4
STANDARD	1	2354751-3
STANDARD	2	2354751-1
REMARK	# REAR PINS	PART NUMBER

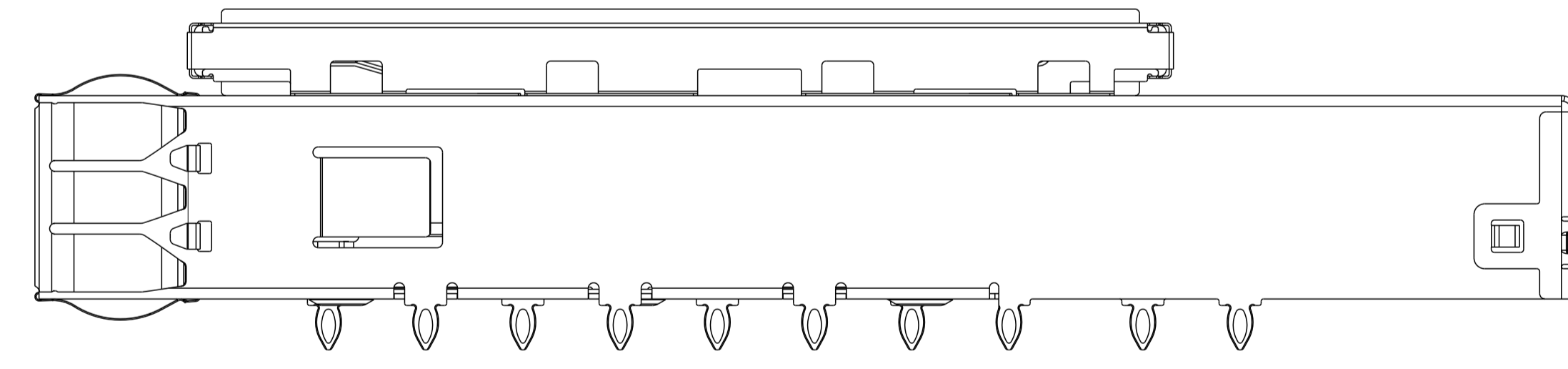
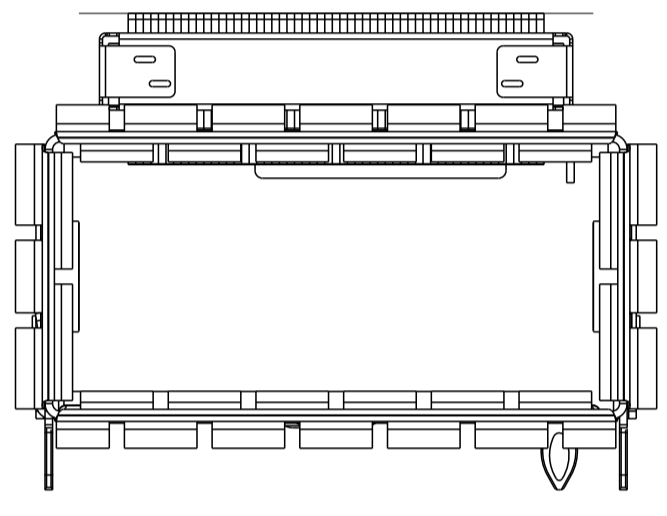
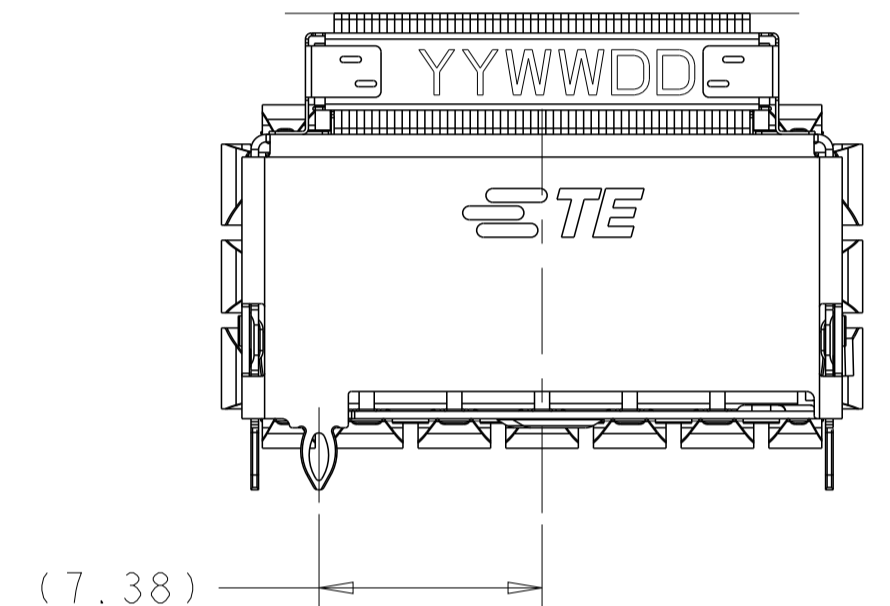
THIS DRAWING IS A CONTROLLED DOCUMENT.		OWN: LEO LI 19APR2019	TE Connectivity	
DIMENSIONS: mm		CHK: SEAN HAN 19APR2019		
TOLERANCES UNLESS OTHERWISE SPECIFIED:		APVD: SEAN HAN 19APR2019	NAME: CAGE ASSEMBLY, QSFP-DD 1X1, WITH EMI SPRING FINGER	
0 PLC ±0.25		PRODUCT SPEC: 108-60122/108-130042	APPLICATION SPEC: 114-130017	
1 PLC ±0.25		SIZE: A1	CAGE CODE: -	
2 PLC ±0.20		WEIGHT: -	DRAWING NO: C=2354751	
3 PLC ±0.10		CUSTOMER DRAWING	SCALE: 2:1	
4 PLC ±			SHEET 1 OF 7	
ANGLES ±°			REV A3	
FINISH				

THIS DRAWING IS UNPUBLISHED. RELEASED FOR PUBLICATION. ALL RIGHTS RESERVED.

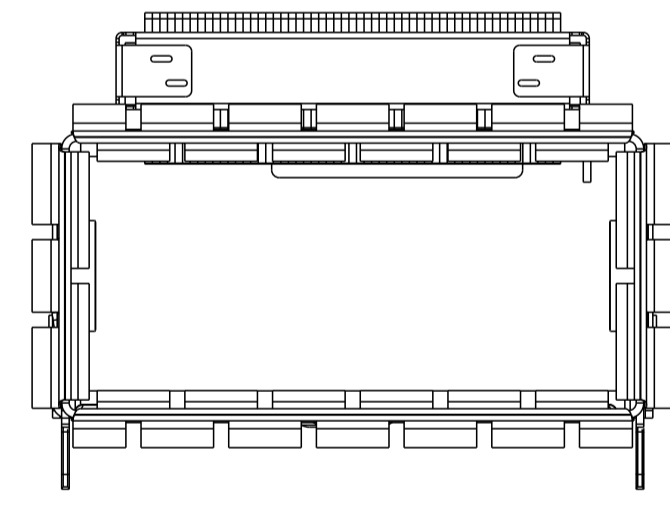
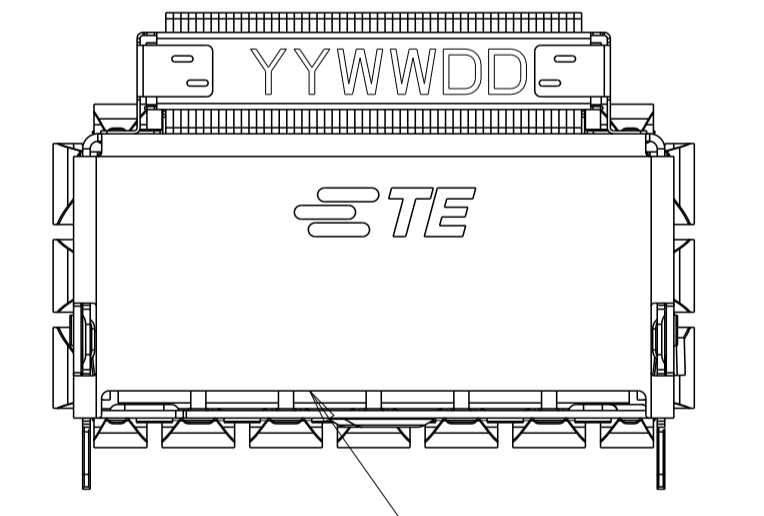
LOC		DIST		REVISIONS			
P	LTN	DESCRIPTION	DATE	DMN	APVD		
-	-	SEE SHEET 1	-	-	-		



2354751-3 AS SHOWN
UNSPECIFIED DIMENSIONS SAME AS -1
SCALE 4:1

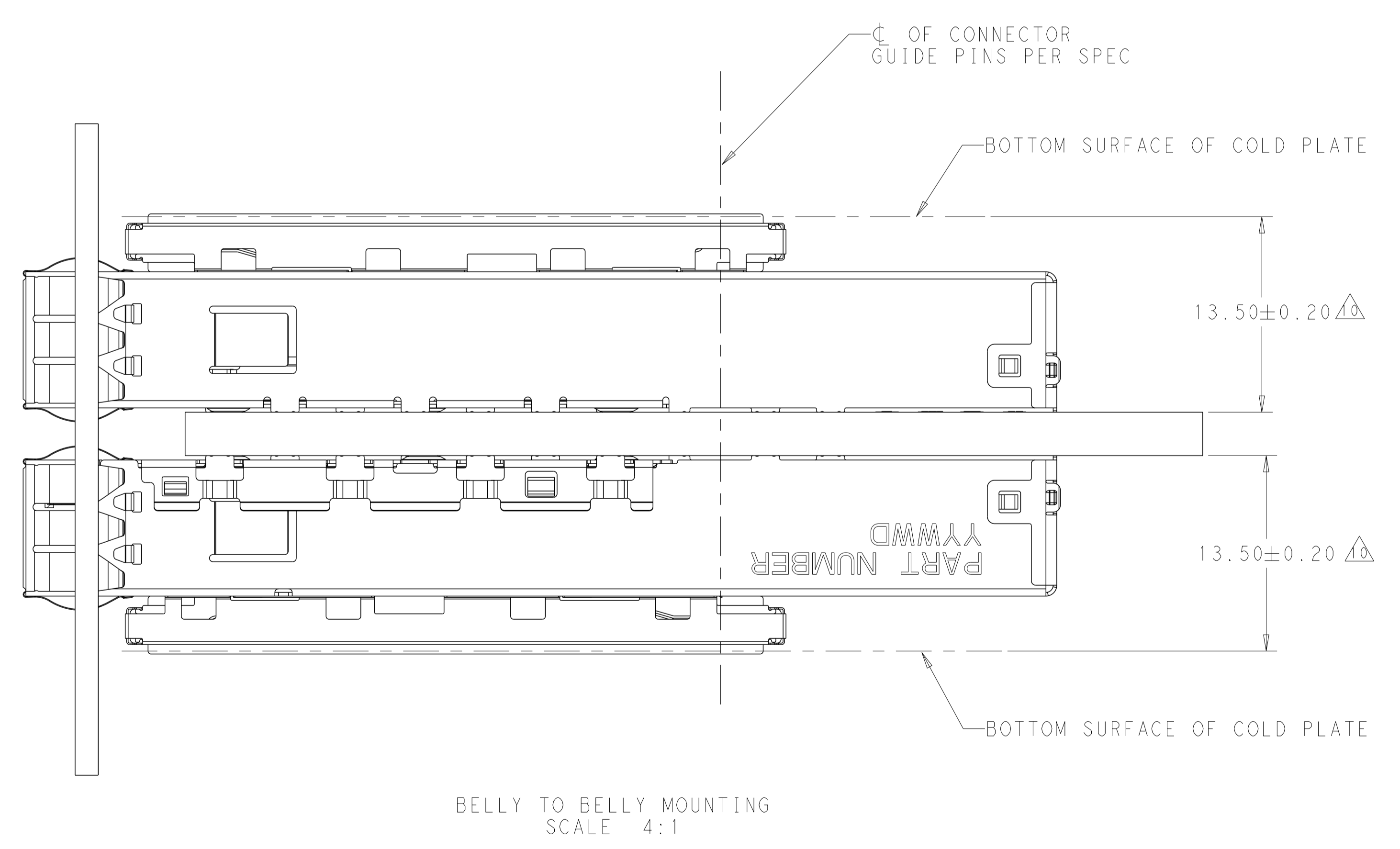
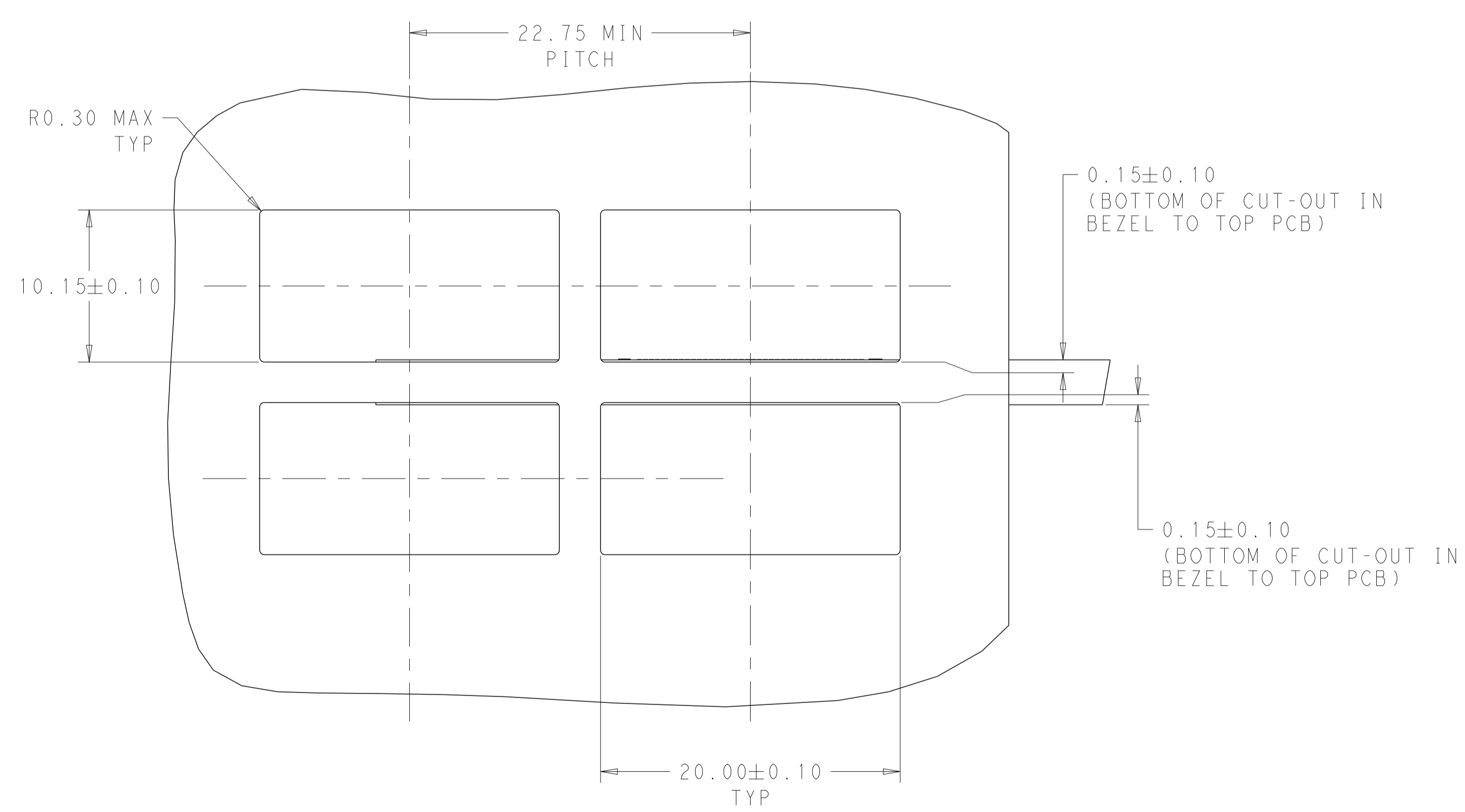
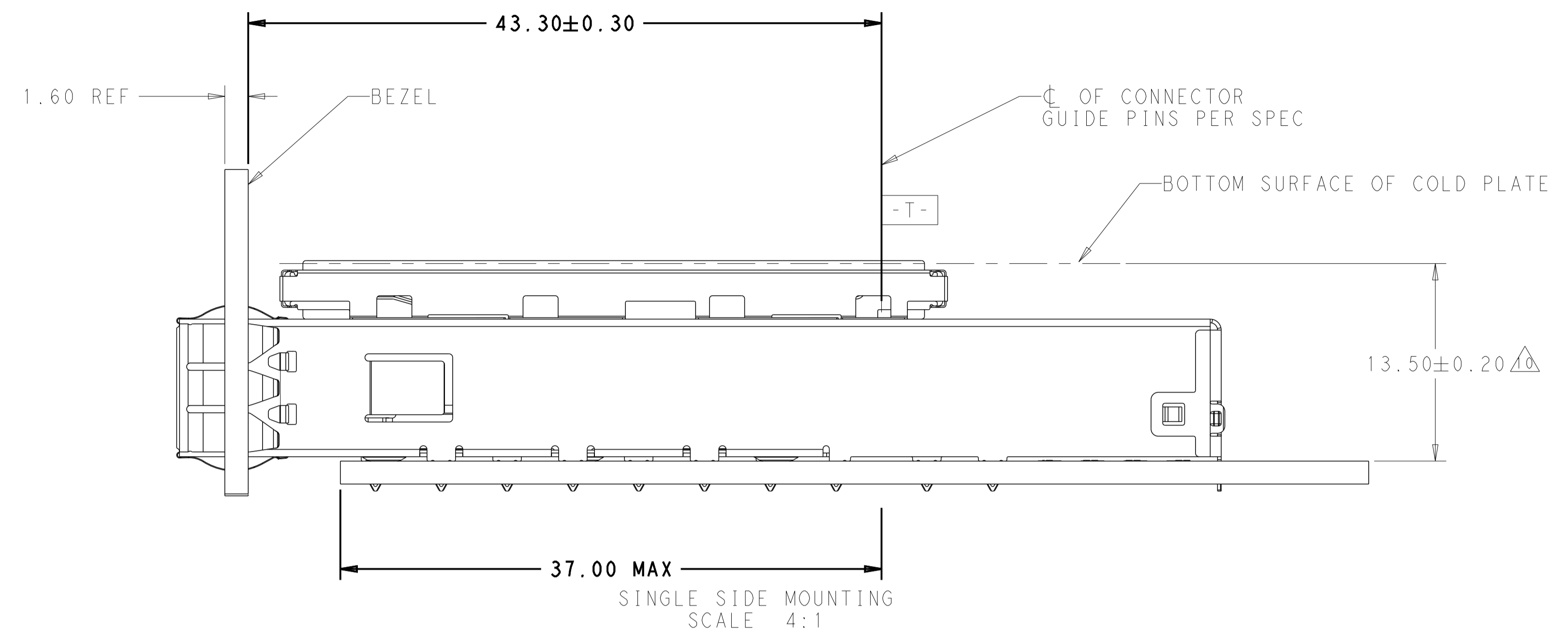
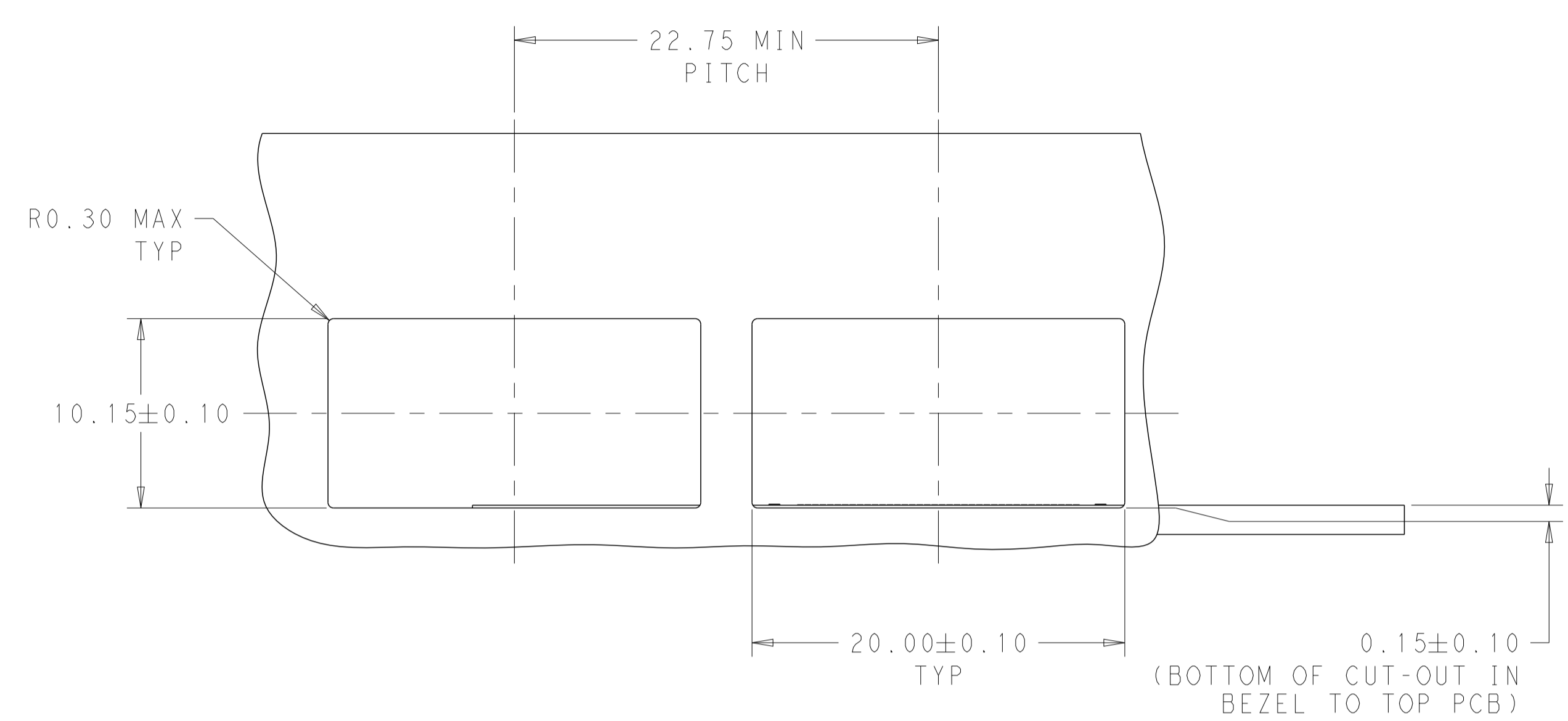


2354751-4 AS SHOWN
UNSPECIFIED DIMENSIONS SAME AS -1
SCALE 4:1



THIS DRAWING IS A CONTROLLED DOCUMENT.		OWN: LEO LI 19APR2019	TE Connectivity
DIMENSIONS: mm		CHK: SEAN HAN 19APR2019	
TOLERANCES UNLESS OTHERWISE SPECIFIED:		APVD: SEAN HAN 19APR2019	NAME: CAGE ASSEMBLY, QSPF-DD 1X1, WITH EMI SPRING FINGER PRODUCT SPEC: 108-60122/108-130042 APPLICATION SPEC: 114-130017
0 PLC ±0.25 1 PLC ±0.25 2 PLC ±0.20 3 PLC ±0.10 4 PLC ± ANGLES ±°		SIZE: A1 CAGE CODE: - DRAWING NO: ©=2354751 WEIGHT: - MATERIAL: -	
FINISH: -		CUSTOMER DRAWING	RESTRICTED TO: -
4805 (3/11)		SCALE: 2:1	SHEET 2 OF 7 REV A3

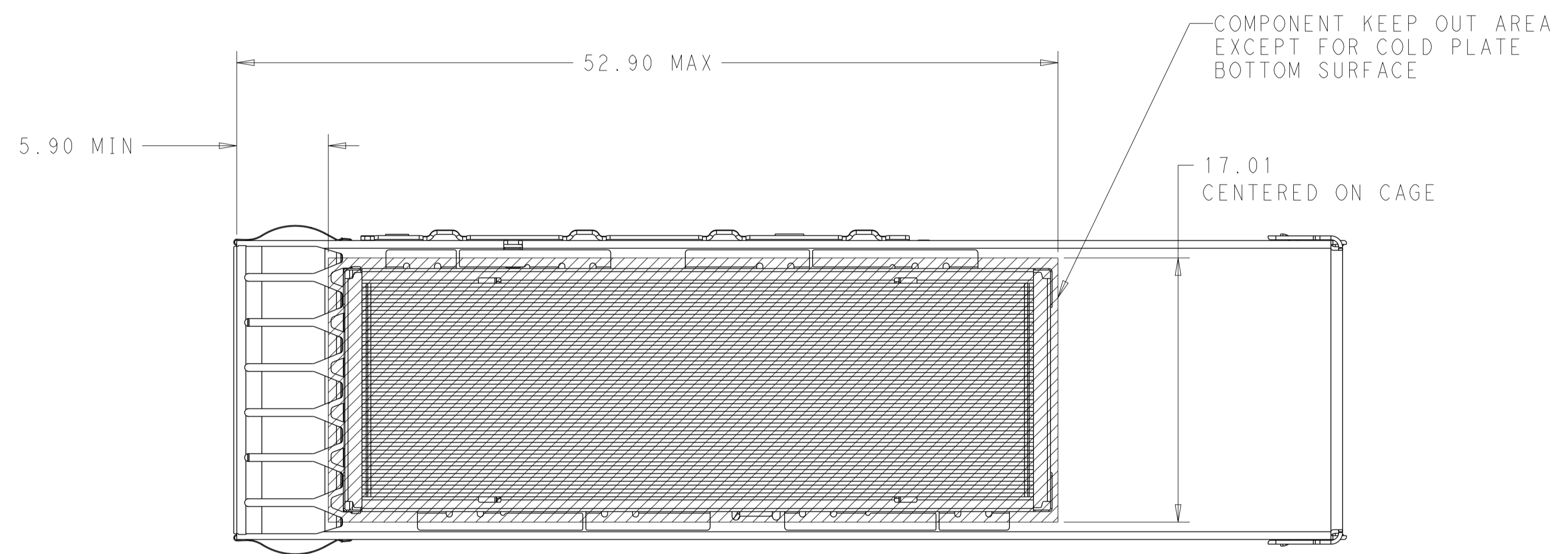
LOC		DIST		REVISIONS			
				DESCRIPTION	DATE	OWN	APVD
-	-	-	-	SEE SHEET 1	-	-	-



THIS DRAWING IS A CONTROLLED DOCUMENT.		OWN: LEO LI 19APR2019	TE Connectivity	
DIMENSIONS:		CHK: SEAN HAN 19APR2019		
TOLERANCES UNLESS OTHERWISE SPECIFIED:		APVD: SEAN HAN 19APR2019	NAME: CAGE ASSEMBLY, QSFP-DD 1X1, WITH EMI SPRING FINGER	
mm	0 PLC ±0.25	PRODUCT SPEC	108-60122/108-130042	
	2 PLC ±0.25	APPLICATION SPEC	114-130017	
	3 PLC ±0.20	SIZE: A1	CAGE CODE: -	DRAWING NO: C=2354751
	4 PLC ±0.10	RESTRICTED TO: -	SCALE: 2:1	SHEET 3 OF 7
	ANGLES ±°	CUSTOMER DRAWING	REV: A3	
MATERIAL: -	FINISH: -	WEIGHT: -		

THIS DRAWING IS UNPUBLISHED. RELEASED FOR PUBLICATION
 © COPYRIGHT - ALL RIGHTS RESERVED.

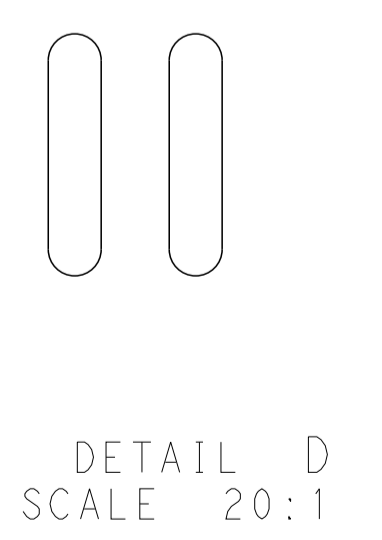
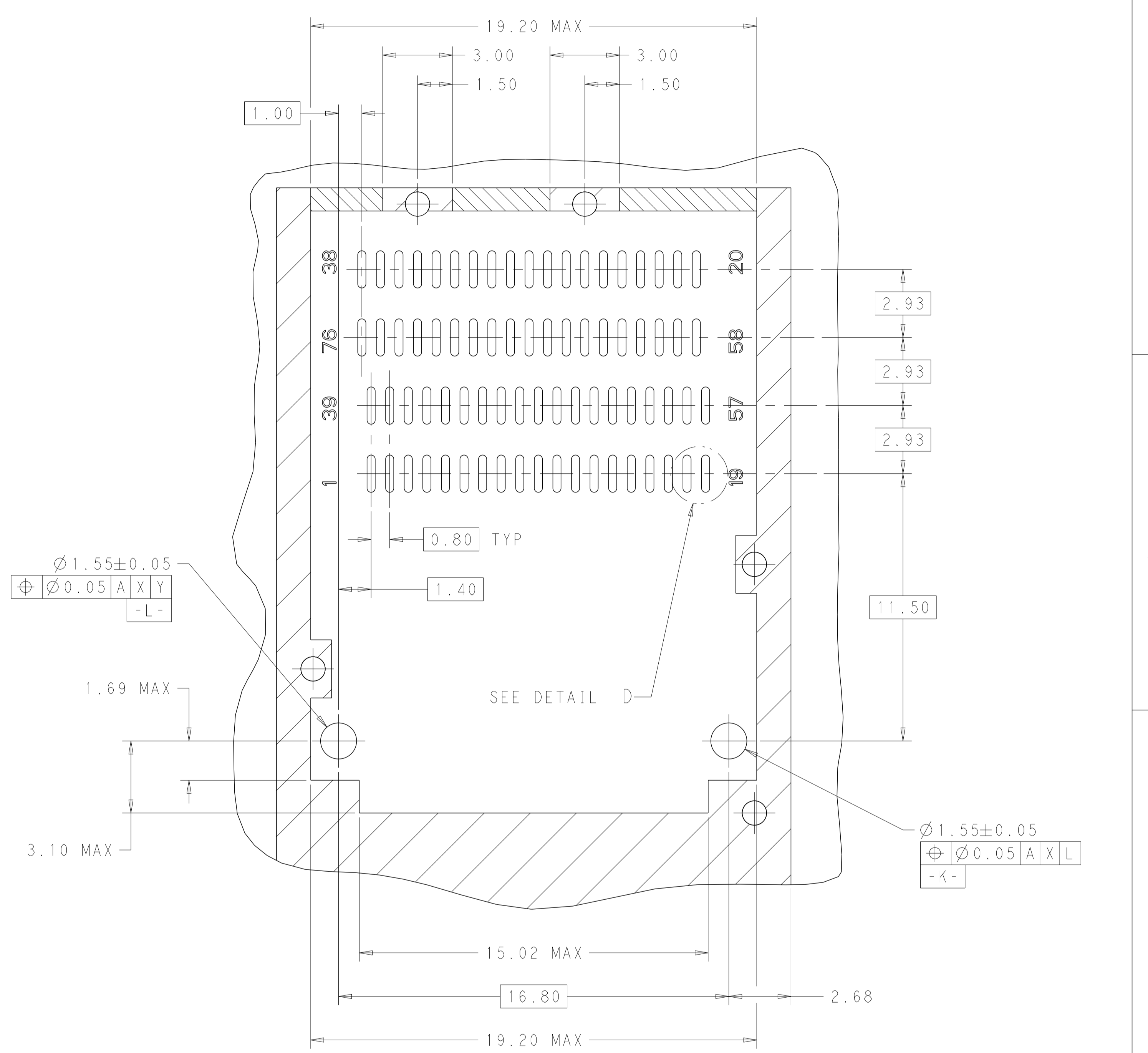
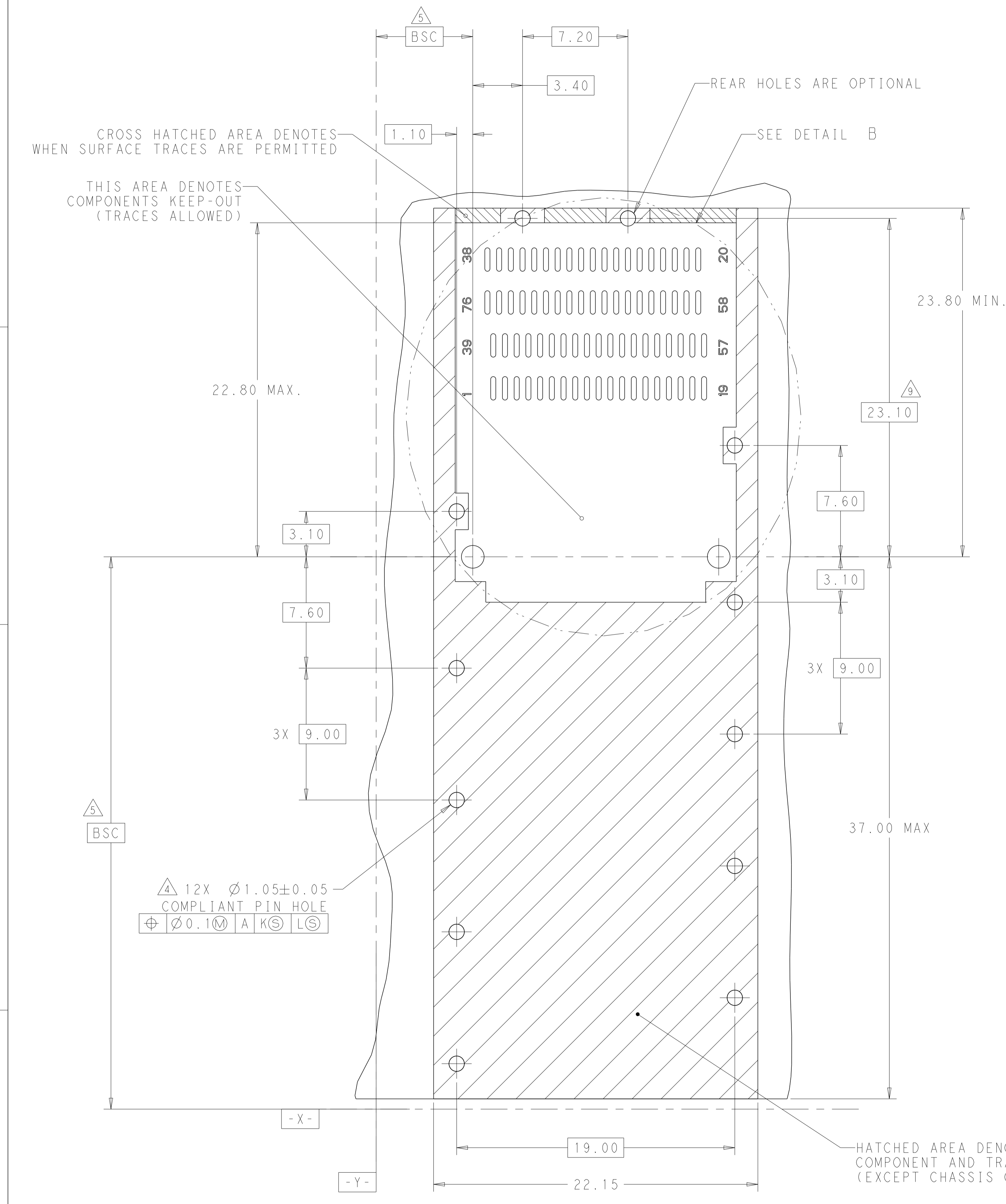
LOC		DIST		REVISIONS			
P	LTN	DESCRIPTION	DATE	DWN	APVD		
-	-	SEE SHEET 1	-	-	-		



COMPONENT KEEP OUT AREA FOR THERMAL BRIDGE

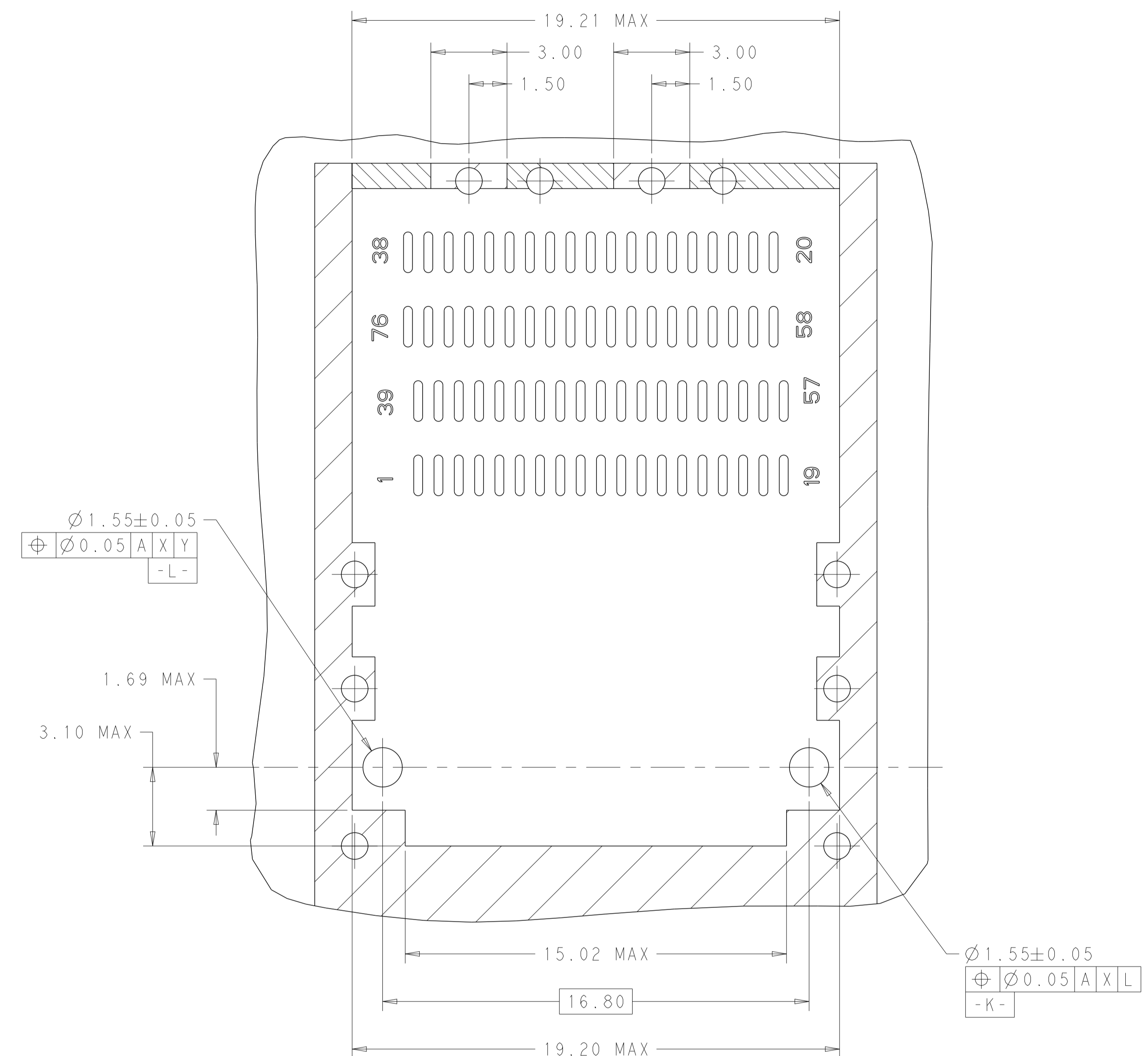
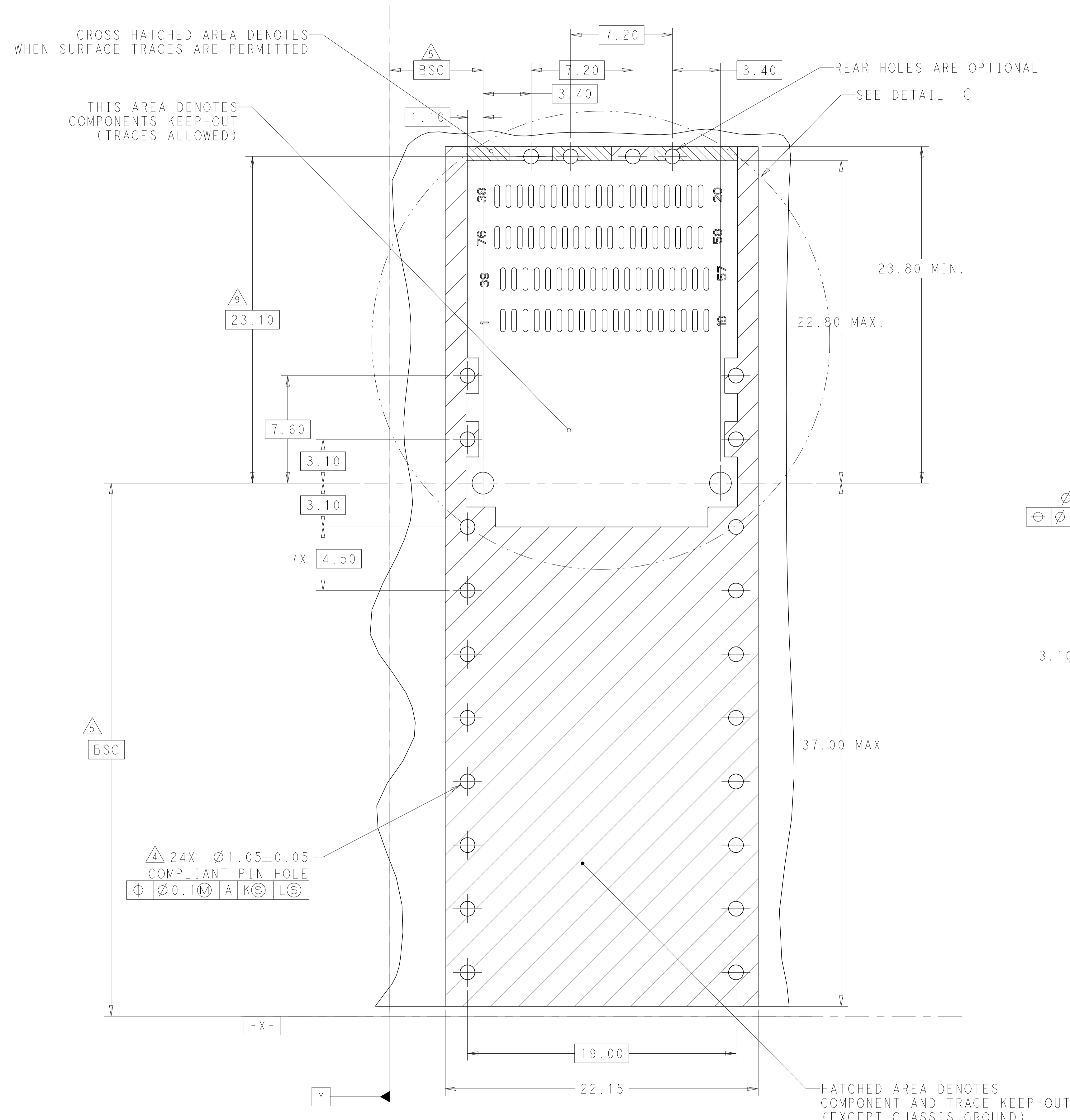
THIS DRAWING IS A CONTROLLED DOCUMENT.		DWN	LEO LI	19APR2019	
DIMENSIONS:		CHK	SEAN HAN	19APR2019	
mm	TOLERANCES UNLESS OTHERWISE SPECIFIED:	APVD	SEAN HAN	19APR2019	NAME
0 PLC	±0.25	PRODUCT SPEC		108-60122/108-130042	CAGE ASSEMBLY, QSFP-DD 1X1, WITH EMI SPRING FINGER
1 PLC	±0.25	APPLICATION SPEC		114-130017	RESTRICTED TO
2 PLC	±0.20	WEIGHT		-	A1
3 PLC	±0.10	SCALE		2:1	C=2354751
4 PLC	±	SHEET		4	OF 7
ANGLES	±	REV		A3	
FINISH	±	CUSTOMER DRAWING			

LOC	DIST	REV	DATE	BY	APPV
-	-	1	-	-	-
REVISIONS			DESCRIPTION	DATE	BY
-			SEE SHEET 1	-	-



THIS DRAWING IS A CONTROLLED DOCUMENT.		OWN: LEO LI 19APR2019	TE Connectivity	
DIMENSIONS: mm		CHK: SEAN HAN 19APR2019	NAME: CAGE ASSEMBLY, QSPF-DD 1X1, WITH EMI SPRING FINGER	
TOLERANCES UNLESS OTHERWISE SPECIFIED:		APPV: SEAN HAN 19APR2019	PRODUCT SPEC: 108-60122/108-130042	
0 PLC ± 0.25		APPLICATION SPEC: 114-130017		
1 PLC ± 0.25		SIZE: A1		
2 PLC ± 0.20		CAGE CODE: -		
3 PLC ± 0.20		DRAWING NO: C=2354751		
4 PLC ± 0.10		RESTRICTED TO: -		
ANGLES: #		SCALE: 2:1		
FINISH: -		SHEET 5 OF 7		
MATERIAL: -		REV: A3		
CUSTOMER DRAWING		SCALE: 2:1 SHEET 5 OF 7 REV: A3		

LOC	DIST	REV	DATE	BY	APPV
-	-	1	19APR2019	SEAN HAN	SEAN HAN
SEE SHEET 1					

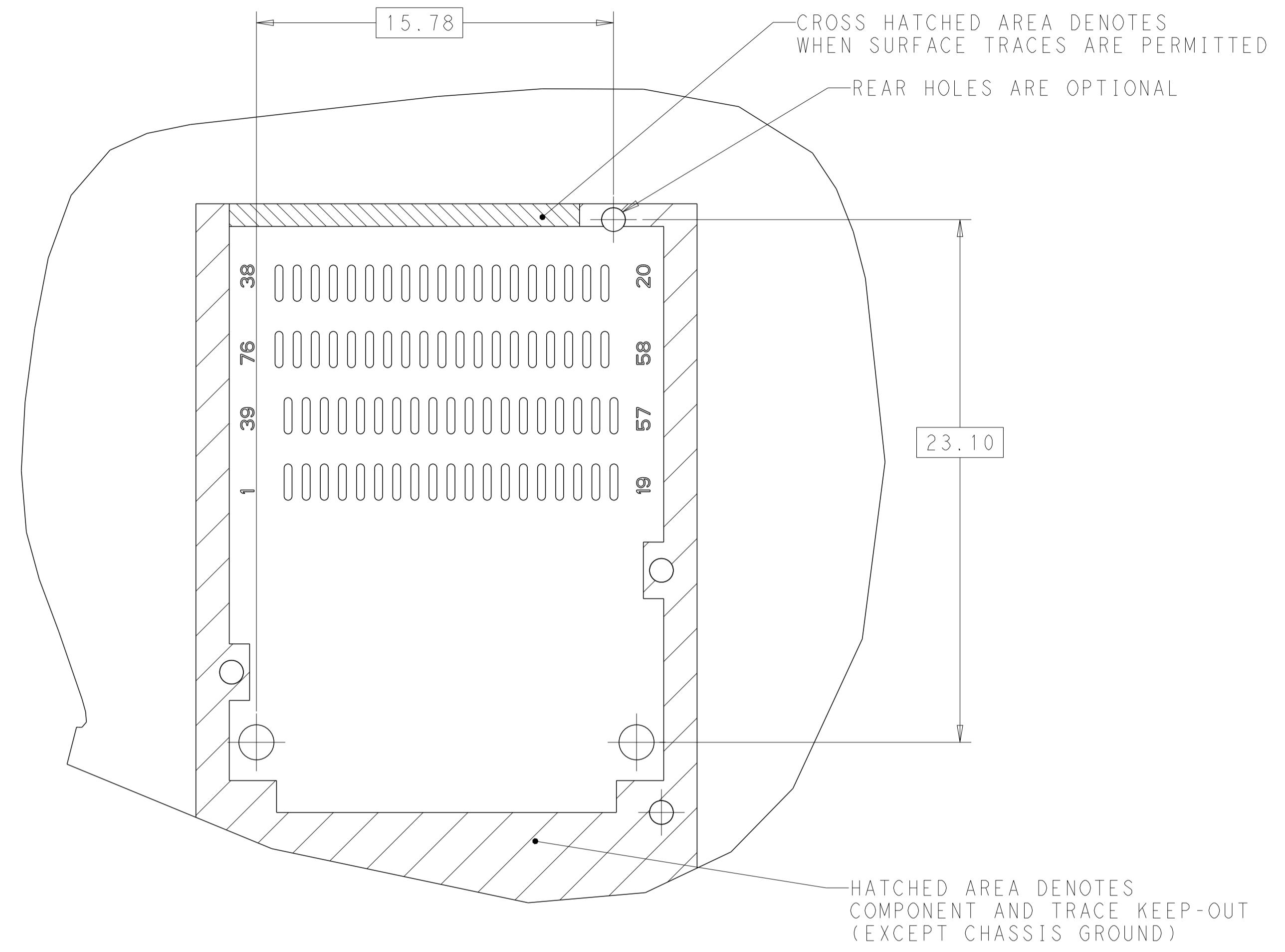


DETAIL C
SCALE 8:1

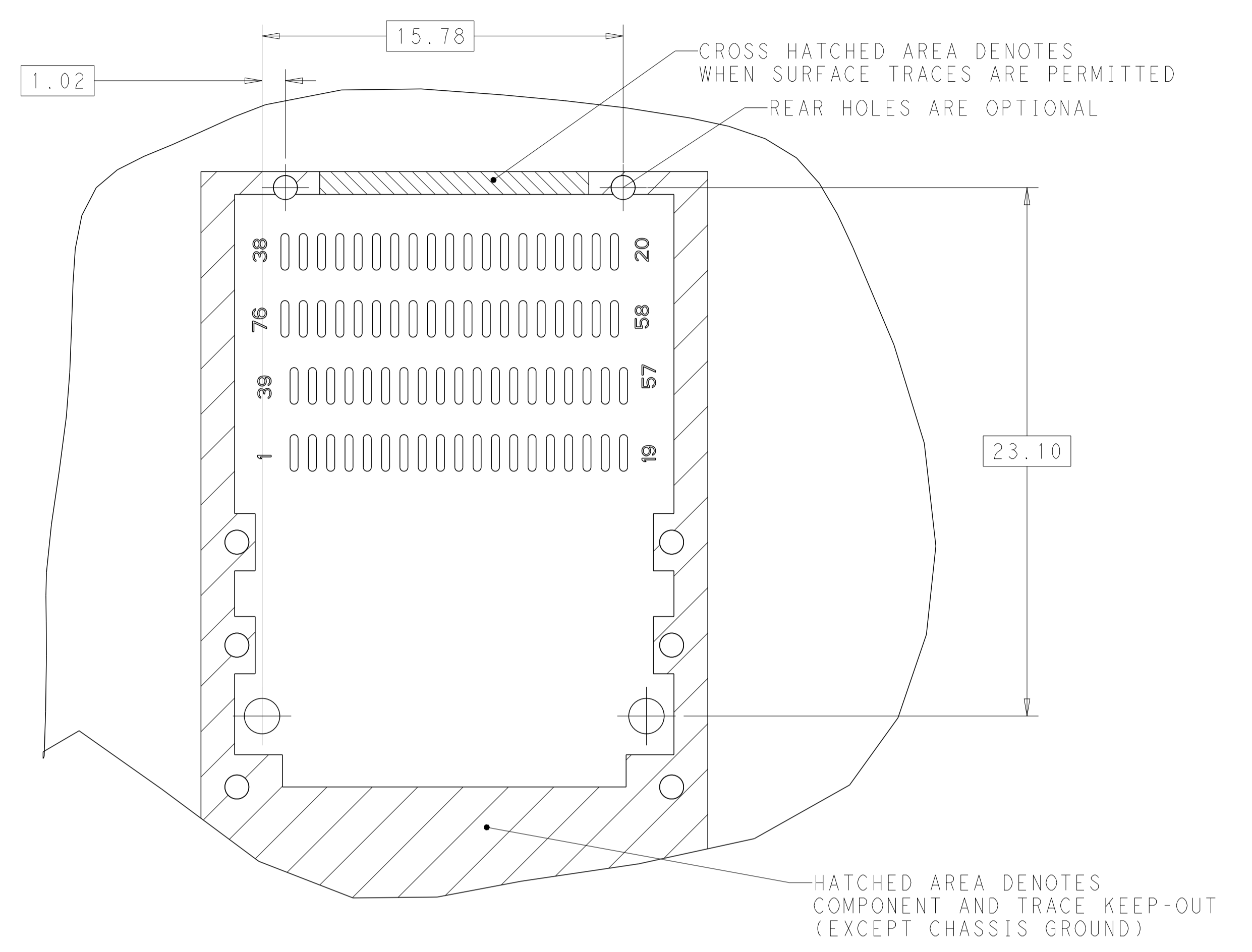
RECOMMENDED PCB LAYOUT
 BELLY TO BELLY TYPE OF 2 REAR HOLES OF LEGS
 PCB TOLERANCE: ±0.05
 SCALE 6:1

THIS DRAWING IS A CONTROLLED DOCUMENT.		DWN: LEO LI 19APR2019	TE Connectivity
DIMENSIONS: mm		CHK: SEAN HAN 19APR2019	
TOLERANCES UNLESS OTHERWISE SPECIFIED:		APVD: SEAN HAN 19APR2019	NAME: CAGE ASSEMBLY, QSFP-DD 1X1, WITH EMI SPRING FINGER
0 PLC ±0.25	1 PLC ±0.25	PRODUCT SPEC: 108-60122/108-130042	APPLICATION SPEC: 114-130017
2 PLC ±0.20	3 PLC ±0.10	SIZE: A1	CAGE CODE: -
4 PLC ±0.10	ANGLES ±°	DRAWING NO: C=2354751	RESTRICTED TO: -
MATERIAL: -	FINISH: -	WEIGHT: -	SCALE: 2:1
CUSTOMER DRAWING		SHEET 6 OF 7	REV A3

LOC		DIST		REVISIONS			
				REV	DATE	BY	APPV
-	-	-	-	-	-	-	-
-	-	-	-	-	SEE SHEET 1	-	-
-	-	-	-	-	-	-	-
-	-	-	-	-	-	-	-



RECOMMENDED PCB LAYOUT
 SINGLE TYPE OF 1 REAR HOLE
 PCB TOLERANCE: ±0.05
 SCALE 6:1



RECOMMENDED PCB LAYOUT
 BELLY TO BELLY TYPE OF 1 REAR HOLE
 PCB TOLERANCE: ±0.05
 SCALE 6:1

THIS DRAWING IS A CONTROLLED DOCUMENT.		OWN: LEO LI 19APR2019	TE Connectivity
DIMENSIONS: mm		CHK: SEAN HAN 19APR2019	
TOLERANCES UNLESS OTHERWISE SPECIFIED: 0 PLC ±0.25 1 PLC ±0.25 2 PLC ±0.20 3 PLC ±0.10 4 PLC ± ANGLES ±°		APVD: SEAN HAN 19APR2019	NAME: CAGE ASSEMBLY, QSPF-DD 1X1, WITH EMI SPRING FINGER
MATERIAL: -		PRODUCT SPEC: 108-60122/108-130042	RESTRICTED TO: -
FINISH: -		APPLICATION SPEC: 114-130017	SIZE: A1
		WEIGHT: -	CAGE CODE: -
		CUSTOMER DRAWING	SCALE: 2:1
			SHEET 7 OF 7
			REV: A3