

MATERIAL NO.	ENGINEERING NO.	FINISHED LENGTH
1300100851	114030K03M010	1M (3 FT 3.4 IN)
1300100852	114030K03M020	2M (6 FT 6.7 IN)
1300100853	114030K03M030	3M (9 FT 10.1 IN)
1300100855	114030K03M050	5M (16 FT 4.9 IN)
1300100860	114030K03M100	10M (32 FT 9.7 IN)
1300102178	114030K03M150	15M (49 FT 2.6 IN)
1300102179	114030K03M200	20M (65 FT 7.4 IN)

**CABLE LENGTH TOLERANCES**

<.3M [1FT]: +19mm-0 [+ .75in-0]

.3 - .9M [1 - 3FT]: +44.5mm-0 [+1.75in-0]

.9 - 1.8M [3 - 6FT]: +55.6mm-0 [+2.19in-0]

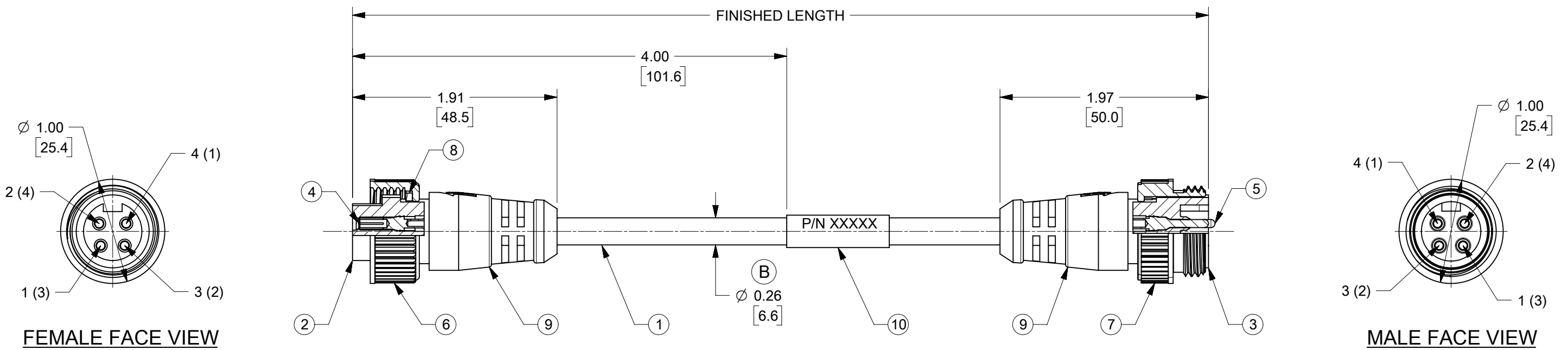
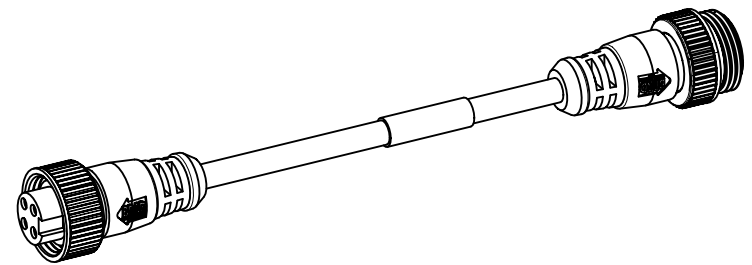
1.8 - 3.7M [6 - 12FT]: +88.9mm-0 [+3.50in-0]

3.7 - 7.3M [12 - 24FT]: +165.1mm-0 [+6.50in-0]

7.3-14.6M [24 - 48FT]: +317.5mm-0 [+12.50in-0]

14.6 - 30.5M [48-100FT]: +622.3mm-0 [+24.50in-0]

OVER 30M [100FT] +2% OF FINISHED LENGTH



- NOTES:**
- 1) MATERIAL: AS NOTED
  - 2) FINISHES: AS NOTED
  - 3) ELECTRICAL DATA:  
 VOLTAGE: 300V  
 CURRENT: 5.6 AMPS  
 PROTECTION: IP67 (WHEN FULLY MATED)  
 TEMP RANGE: -20°C TO 105°C (B)
  - 4) COUPLING THREAD: 7/8-16 UN
  - 5) CSA CERTIFIED FILE: LR6837 (B)
  - 6) ALL DIMS ARE FOR REFERENCE UNLESS TOLERANCED OR OTHERWISE NOTED

BLACK	4 (1)
BLUE	3 (2)
BROWN	1 (3)
WHITE	2 (4)

FINISHED LENGTH :

M010 = 1.0 METERS

M100 = 10.0 METERS

M200 = 20.0 METERS

**MECHANICAL CHARACTERISTICS:**

TORSIONAL FLEX TEST	10 MILLION CYCLES PER MIL-C-13777G
BEND FLEX TEST	10 MILLION CYCLES PER MIL-C-13777G
WELD SLAG RESISTANCE	WOODHEAD STANDARD S-300

**CENELEC EN 50 044 PINOUT SHOWN (SAE-J-1738A IN PARENTHESIS)**

ITEM	DESCRIPTION	MATERIAL	FINISH
10	WRAP LABEL	VINYL	BLACK/YELLOW
9	OVERMOLD	TPE	YELLOW
8	FRICTION RING	NYLON	WHITE
7	MALE COUPLING NUT	ZINC DIE CAST	BLACK E-COAT
6	FEMALE COUPLING NUT	ZINC DIE CAST	BLACK E-COAT
5	PIN CONTACT	Cu ALLOY	GOLD OVER NICKEL
4	SOCKET CONTACT	Cu ALLOY	GOLD OVER NICKEL
3	MALE INSERT	TPE	YELLOW
2	FEMALE INSERT	TPE	YELLOW
1	CABLE, 4P, 18AWG, ITC/PLTC	TPE JACKET	YELLOW

FUNCTIONAL SYMBOLS		THIS DRAWING CONTAINS INFORMATION THAT IS PROPRIETARY TO MOLEX ELECTRONIC TECHNOLOGIES, LLC AND SHOULD NOT BE USED WITHOUT WRITTEN PERMISSION	
0	INCH/MM	SCALE	1:1
0	GENERAL TOLERANCES (UNLESS SPECIFIED)	CURRENT REV DESC: UPDATED MATERIAL TABLE, TOL. TABLE & TEMP RATING. ADDED ITEM 8, CABLE DIA., MECH. CHARACTERISTICS & CSA.	
0	ANGULAR TOL ± 0.5°	EC NO: 701162	
DIVISIONAL SYMBOLS		DRWN: AKABADI 2021/09/16	
4 PLACES	±	CHKD: RSTONE 2022/03/30	
3 PLACES	±	APPR: BWOODMAN 2022/04/08	
2 PLACES	±	INITIAL REVISION:	
1 PLACE	±	DRWN: CCHRSTKA 2019/06/20	
0 PLACES	±	APPR: BWOODMAN 2019/08/14	
DRAFT WHERE APPLICABLE MUST REMAIN WITHIN DIMENSIONS		THIRD ANGLE PROJECTION	DRAWING
		DRWG	SERIES
		B-SIZE	130010
		MATERIAL NUMBER	CUSTOMER
		SEE TABLE	GENERAL MARKET
		DOCUMENT NUMBER	DOC TYPE   DOC PART   REVISION
		1300102178	PSD   000   B
		SHEET NUMBER	
		1 OF 1	