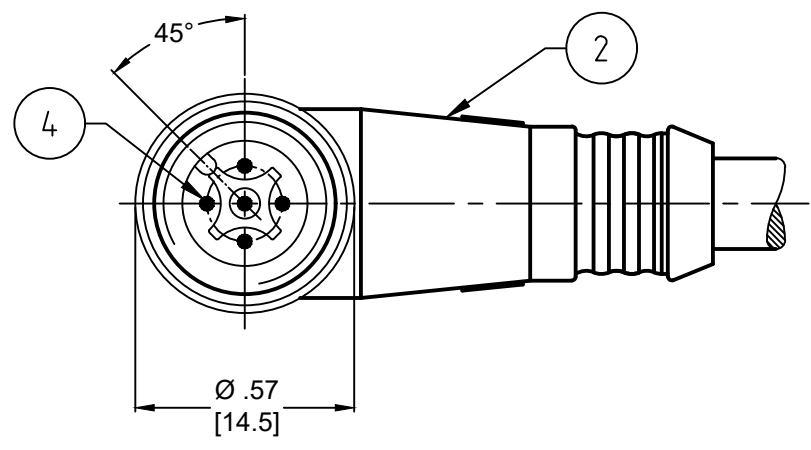
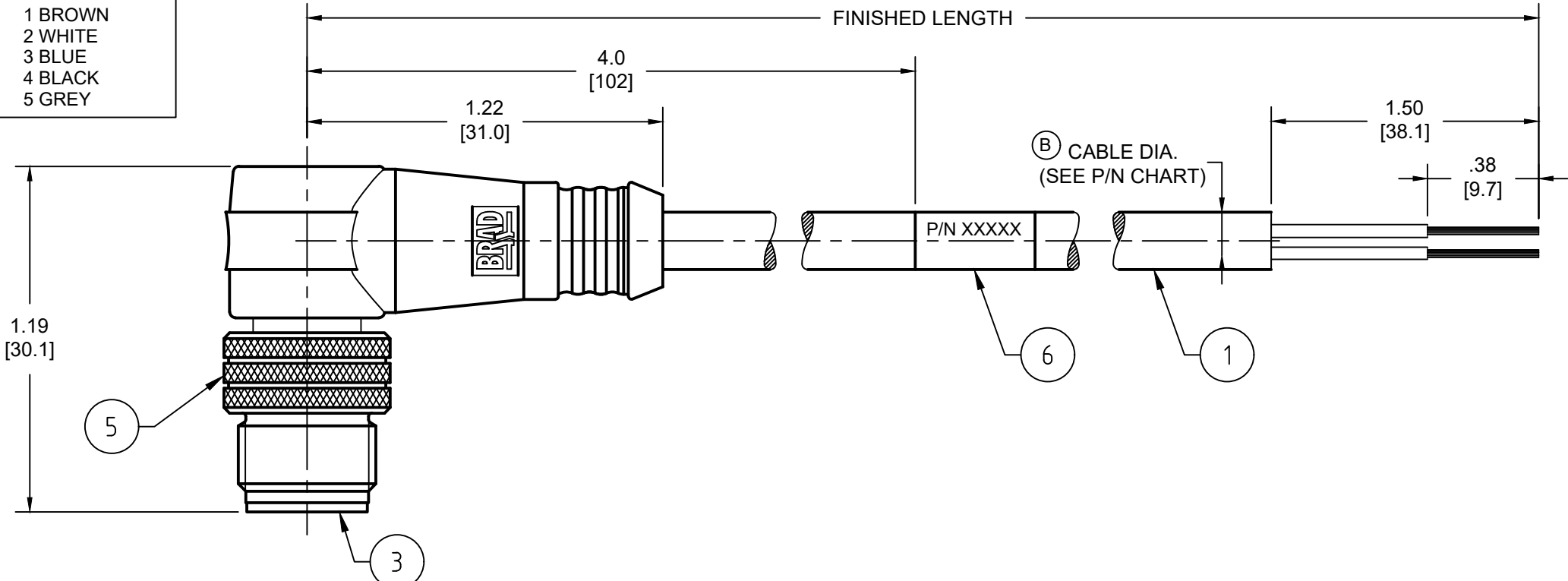


PART NO	ENGINEERING NO.	FINISHED LENGTH	POLES	CABLE DIA.
1200651497	803007A09M020	2M [6FT 7 IN]	3	.20 [5.1]
1200651669	804007A09M100	10M [32FT 9 IN]	4	.21 [5.4]
1200652366	805007A09M150	15M [49FT 2 IN]	5	.22 [5.6]



- NOTES:**
1. MATERIAL: AS NOTED
 2. FINISH: AS NOTED
 3. ELECTRICAL:
VOLTAGE: 250VAC/VDC
CURRENT: 4A
 4. TEMP RATING: -20°TO +105°C
 5. PROTECTION: IP67 (WHEN MATED)
 6. COUPLING THREAD: M12X1
 7. UL RECOGNIZED FILE: E152210
CSA CERTIFIED FILE: LR6837 (B)
 8. ALL DIMENSIONS ARE FOR REFERENCE
UNLESS TOLERANCED OR NOTED OTHERWISE

PART NO. MATRIX
803007A09M020

POLES (3, 4 & 5)
FINISHED LENGTH
M005 = 0.5 METER
M010 = 1 METER
M100 = 10 METER

(B) **CABLE LENGTH TOLERANCES**

<.3M [1FT]:	+19mm-0 [+1.75in-0]
.3 - .9M [1 - 3FT]:	+44.5mm-0 [+1.75in-0]
.9 - 1.8M [3 - 6FT]:	+55.6mm-0 [+2.19in-0]
1.8 - 3.7M [6 - 12FT]:	+88.9mm-0 [+3.50in-0]
3.7 - 7.3M [12 - 24FT]:	+165.1mm-0 [+6.50in-0]
7.3-14.6M [24 - 48FT]:	+317.5mm-0 [+12.50in-0]
14.6 - 30.5M [48-100FT]:	+622.3mm-0 [+24.50in-0]
OVER 30M [100FT]:	+2% OF FINISHED LENGTH

ITEM	DESCRIPTION	MATERIAL	FINISH
6	LABEL	VINYL	BLACK/YELLOW (B)
5	COUPLER	BRASS	NICKEL PLATED
4	PIN CONTACT	COPPER ALLOY	GOLD OVER NICKEL
3	INSERT	PUR	BLACK (B)
2	OVERMOLD	PUR	YELLOW
1	#22/3-5 CABLE	PVC JACKET	YELLOW

DOCUMENT STATUS | P1 | RELEASE DATE | 2021/07/14 | 21:16:10

FUNCTIONAL SYMBOLS $F_A=0$ $F_P=0$ $F_P=0$ DIVISIONAL SYMBOLS	THIS DRAWING CONTAINS INFORMATION THAT IS PROPRIETARY TO MOLEX ELECTRONIC TECHNOLOGIES, LLC AND SHOULD NOT BE USED WITHOUT WRITTEN PERMISSION		CURRENT REV DESC: MODIFIED MATERIAL FOR ITEM 3 & 6. ADDED CSA, CABLE DIA & TOL CHART. MODIFIED PN CHART & INSERT FACE VIEWS		
	DIMENSION UNITS INCH/MM	SCALE NTS	GENERAL TOLERANCES (UNLESS SPECIFIED)		
	4 PLACES ±--- ±--- 3 PLACES ±--- ±--- 2 PLACES ±--- ±--- 1 PLACE ±--- ±--- 0 PLACES ±--- ±---		EC NO: 669893 DRWN: ABENJAMINLW 2021/04/22 CHK'D: RSTONE 2021/07/12 APPR: BWOODMAN 2021/07/14		
	DRAFT WHERE APPLICABLE MUST REMAIN WITHIN DIMENSIONS		THIRD ANGLE PROJECTION 		
PRODUCT CUSTOMER DRAWING		MICRO-CHANGE CORDSET, M12, 3-5 POLE, MALE 90DEG, SINGLE KEY, #22 AWG YELLOW PVC		DOCUMENT NUMBER SD-120065-029	
MATERIAL NUMBER SEE CHART		CUSTOMER GENERAL MARKET			
SHEET NUMBER 1 OF 1					