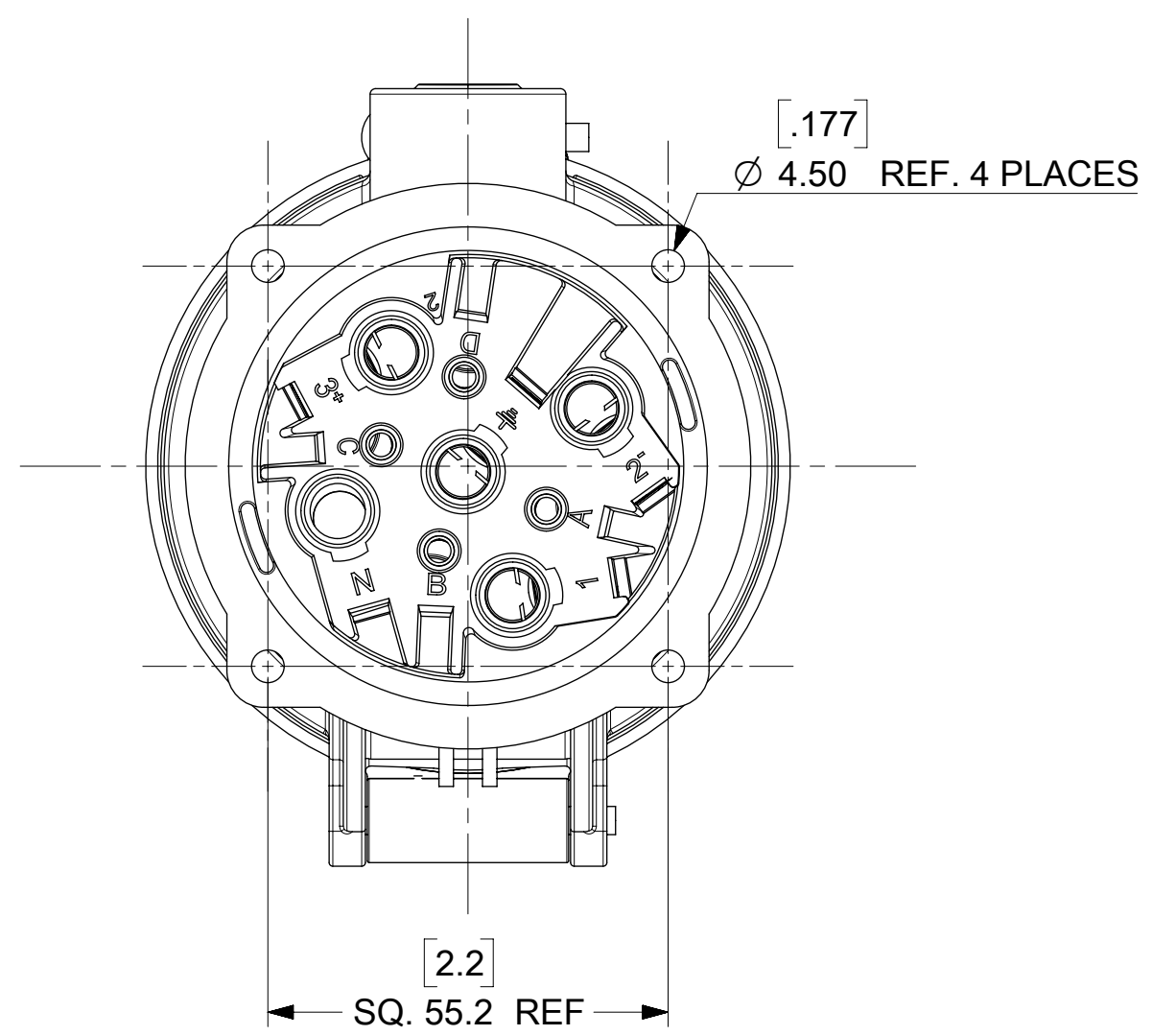
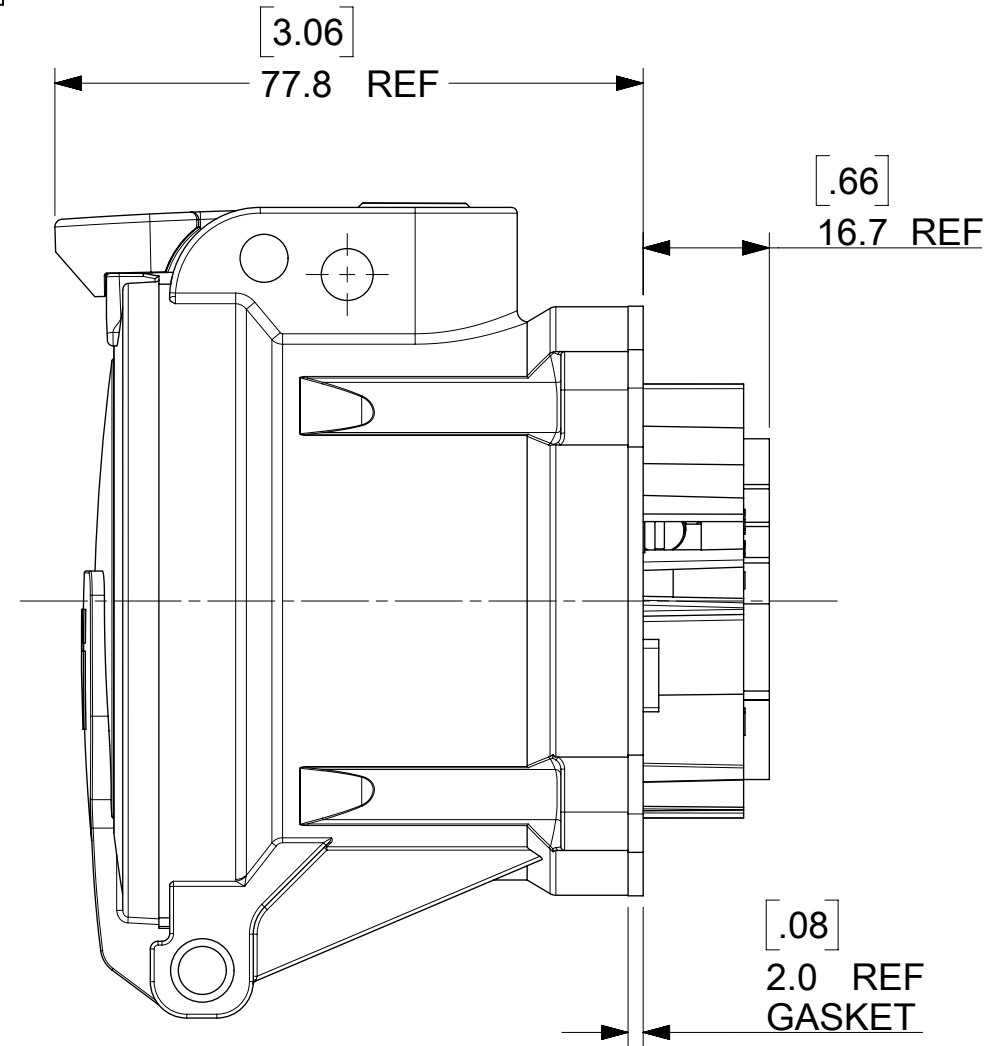
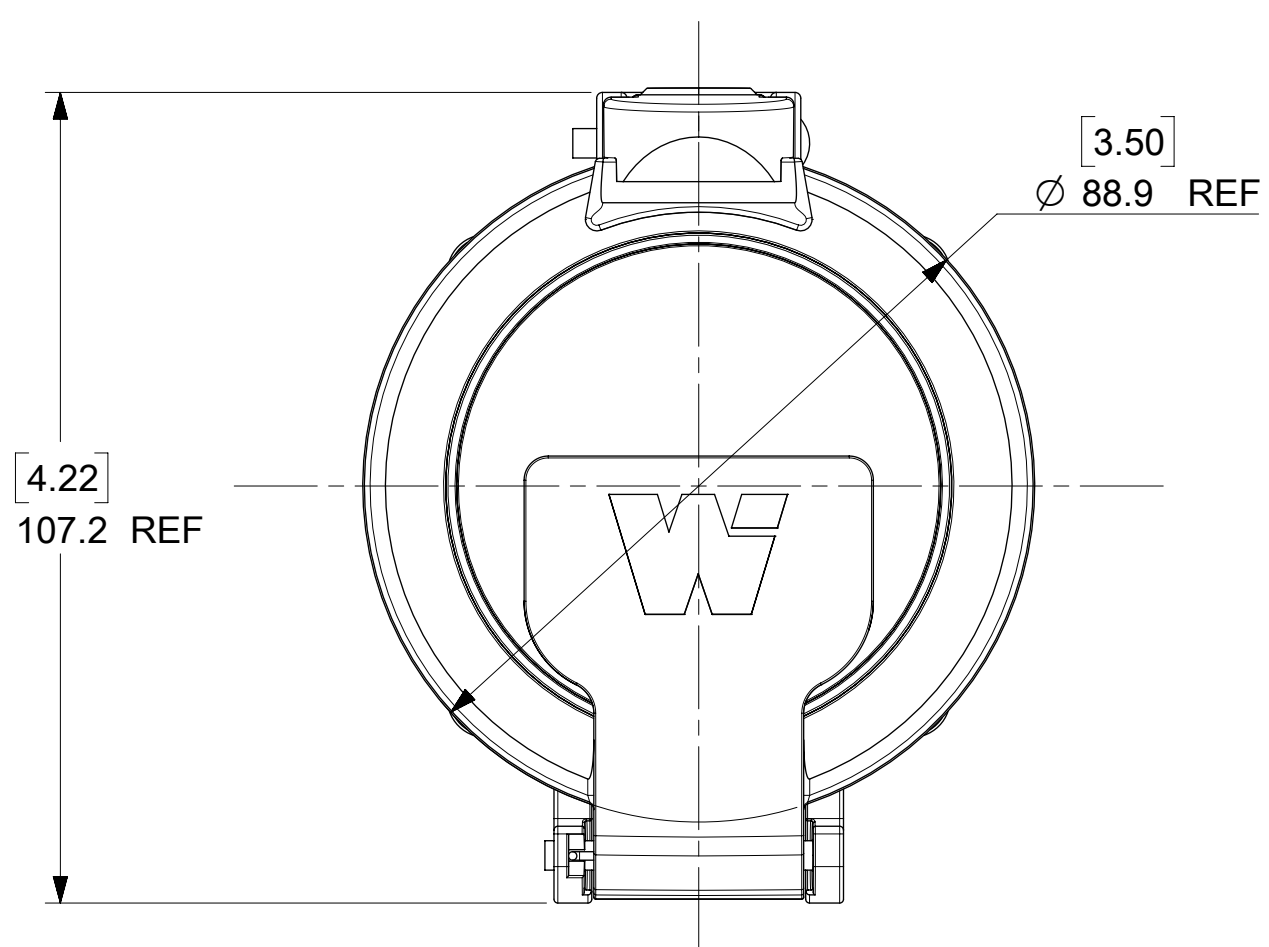
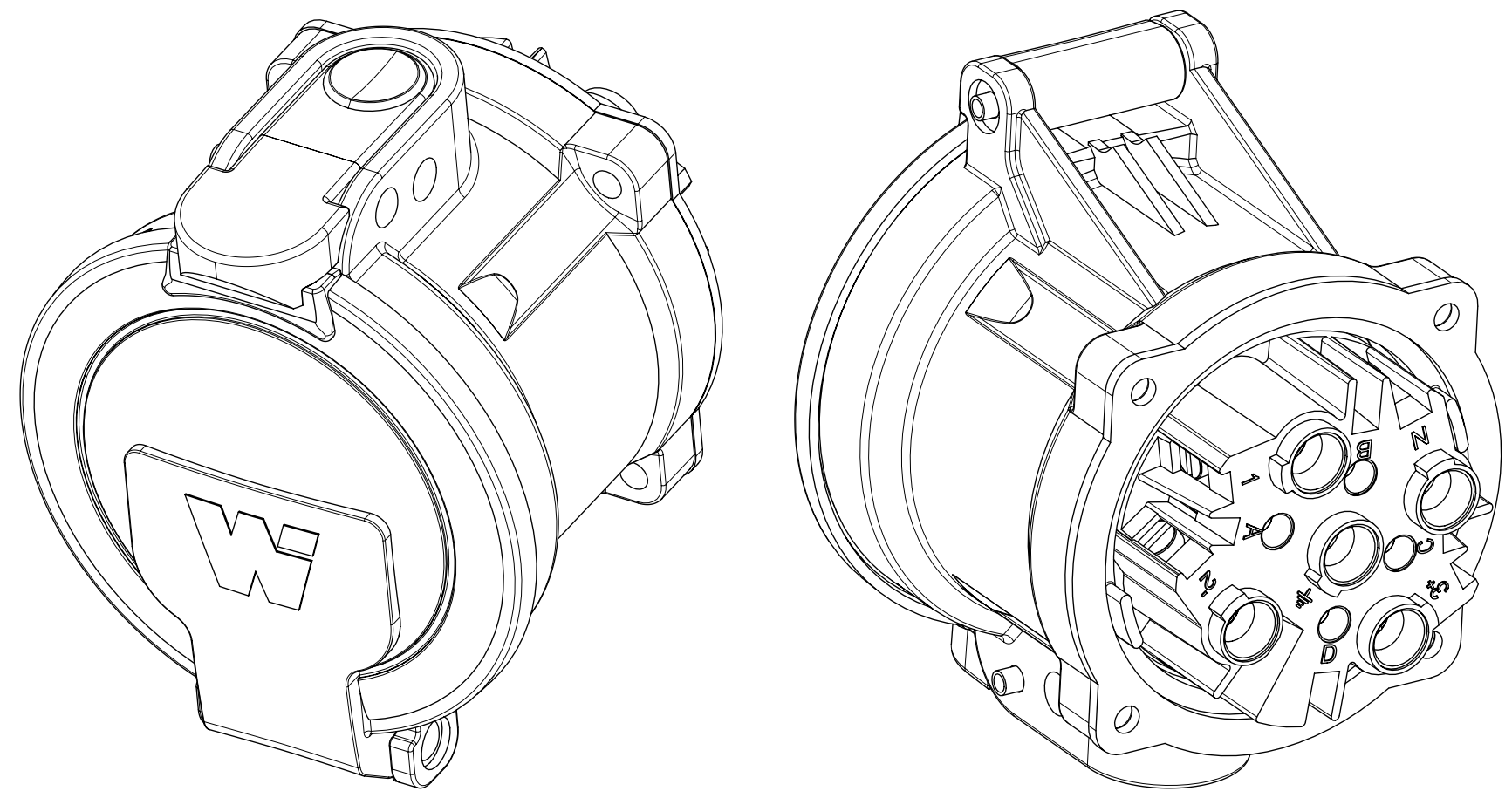


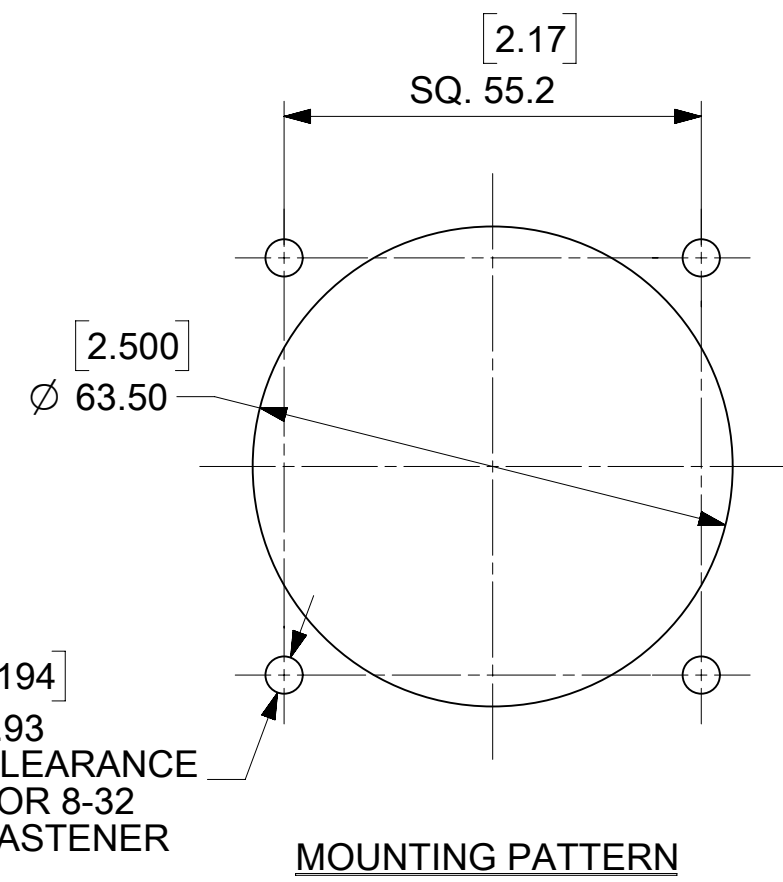
| MATERIAL NUMBER | ENGINEERING NUMBER | DESCRIPTION | INSULATOR KEYING POSITION | HORSEPOWER RATING |
|-----------------|--------------------|-----------------------------|---------------------------|-------------------|
| 1122170001 | ARC60FA01 | ARC 60A F 125VAC 1P+N+G | 7 | 2 HP |
| 1122170002 | ARC60FB02 | ARC 60A F 250VAC 2P+G | | 3 HP |
| 1122170003 | ARC60FB03 | ARC 60A F 250VAC 3P+G | | 7.5 HP |
| 1122170004 | ARC60FAB04 | ARC 60A F 125/250VAC 2P+N+G | | NA |
| 1122170005 | ARC60FC02 | ARC 60A F 208VAC 2P+G | 16 | NA |
| 1122170006 | ARC60FC03 | ARC 60A F 208VAC 3P+G | | 7.5 HP |
| 1122170007 | ARC60FAC05 | ARC 60A F 120/208VAC 3P+N+G | | NA |
| 1122170008 | ARC60FD01 | ARC 60A F 277VAC 1P+N+G | 4 | NA |
| 1122170009 | ARC60FE02 | ARC 60A F 480VAC 2P+G | | NA |
| 1122170010 | ARC60FE03 | ARC 60A F 480VAC 3P+G | | 20 HP |
| 1122170011 | ARC60FDE05 | ARC 60A F 277/480VAC 3P+N+G | | NA |
| 1122170012 | ARC60FF02 | ARC 60A F 600VAC 2P+G | 14 | NA |
| 1122170013 | ARC60FF03 | ARC 60A F 600VAC 3P+G | | 20 HP |
| 1122170014 | ARC60FGF05 | ARC 60A F 347/600VAC 3P+N+G | | NA |



NOTES:

MATERIALS:
HOUSINGS AND INSULATORS: GLASS FILLED PBT
CONTACTS: COPPER ALLOY WITH A SILVER NICKEL TIP, SILVER PLATED
MOUNTING AND INTERFACE GASKETS: SILICONE

RATINGS:
CURRENT: 60 AMPS
VOLTAGE AND HORSEPOWER: SEE TABLE
AMBIENT OPERATING TEMPERATURE: -25°C (-13°F) TO 60°C (140°F)
(WITH MAX. 30°C RISE ABOVE AMBIENT)
ENVIRONMENTAL: NEMA TYPE 4X & IP69K
WIRING CAPACITY: 10 AWG MIN. TO 4 AWG MAX.
TORQUE TERMINAL SCREWS TO 1.7 Nm (15 in-lbs)
AGENCY: UL LISTING PENDING
SCREW RATED RECEPTACLE/CONNECTOR
BRANCH CIRCUIT DISCONNECT SWITCH
MOTOR CIRCUIT DISCONNECT SWITCH IF HP RATED



LASER MARKING FOR REF ONLY
REFER TO TABLE FOR PART NUMBER INFORMATION

ELECTRICAL & ENVIRONMENTAL RATINGS: **Woodhead® ARC60FE03** ENGINEERING NO. **ARC60FE03 SHOWN**
60A, 480VAC, 3Φ
20HP, TYPE 4X, IP69K

WORK ORDER NO. [SWITCH RATED RECEPTACLE/CONNECTOR] DATE OF MANUFACTURER [WOXXXXXXXXX DOM: MM/DD/YY]

| | | | | | | | | | |
|---|--|------------------------|--|---|--|------------|--|------------|--|
| THIS DRAWING CONTAINS INFORMATION THAT IS PROPRIETARY TO MOLEX ELECTRONIC TECHNOLOGIES, LLC AND SHOULD NOT BE USED WITHOUT WRITTEN PERMISSION | | | | | | | | | |
| DIMENSION UNITS: MM/INCH | | SCALE: 1:1 | | CURRENT REV DESC: GENERAL MARKET RELEASE | | | | | |
| GENERAL TOLERANCES (UNLESS SPECIFIED) | | | | molex 60A ARC ARREST RECEPTACLE / CONNECTOR PRODUCT CUSTOMER DRAWING DOCUMENT NUMBER: 1122170010 DOC TYPE: PSD DOC PART: 000 REVISION: A2 MATERIAL NUMBER: SEE TABLE CUSTOMER: GENERAL MARKET SHEET NUMBER: 1 OF 1 | | | | | |
| 4 PLACES ± | | ± | | | | | | | |
| 3 PLACES ± | | ± 0.01 | | | | | | | |
| 2 PLACES ± | | ± 0.25 ± 0.02 | | | | | | | |
| 1 PLACE ± | | ± 0.5 ± 0.04 | | | | | | | |
| 0 PLACES ± | | ± 1.0 ± | | EC NO: 674097 | | 2021/08/17 | | 2021/08/17 | |
| ANGULAR TOL ± | | ± 3.0 ° | | DRWN: MJANTELEZIO | | 2021/08/17 | | 2021/08/17 | |
| DRAFT WHERE APPLICABLE MUST REMAIN WITHIN DIMENSIONS | | THIRD ANGLE PROJECTION | | DRWN: VBASUTHKARP | | 2018/02/21 | | 2020/11/17 | |
| | | | | APPR: JFMURPHY | | | | | |