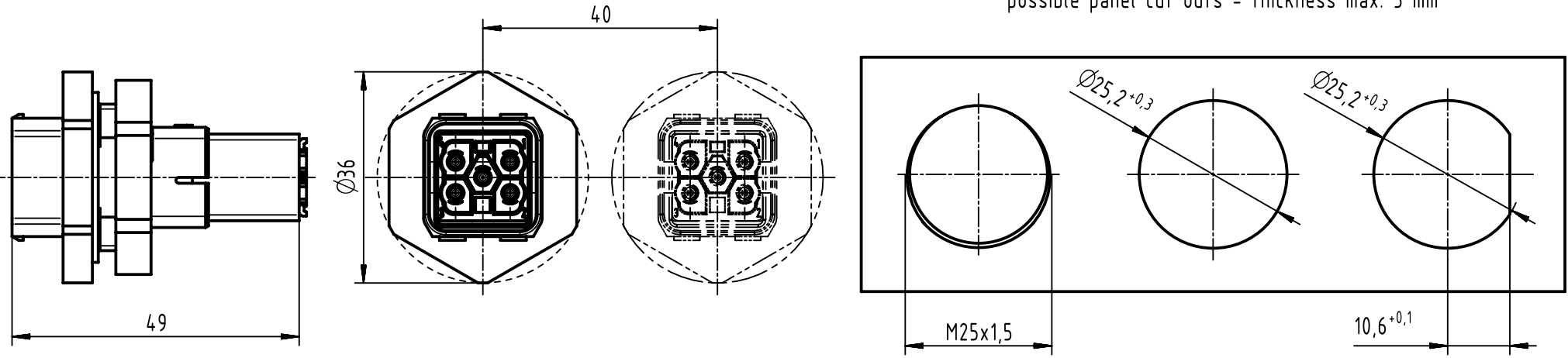


1 2 3 4 5 6

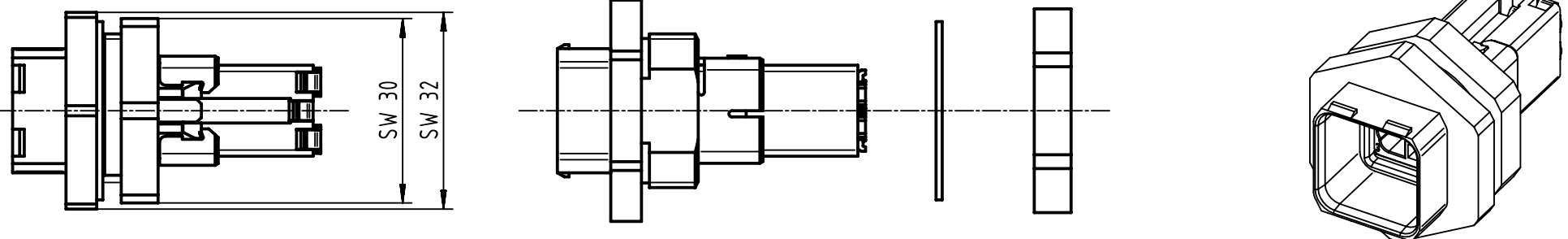
A

possible panel cut outs - thickness max. 3 mm



B

C



D

cross-section:
mm²: 0,5-2,5
AWG: 20-14

	All Dimensions in mm Original Size DIN A4		Scale 1:1	Free size tol.		Ref.
			Created by STORCK	Inspected by ZWAHR	Standardisation SCHREIER	Sub.
		All rights reserved Department EL PD	Date 2020-08-21		State Final Release	
		Title Han PP V14 Power PFT M25 QL 2.5			Doc-Key / ECM-Nr. 100537836/UGD/005/C 500000174260	
		Type TB		Number 09352320332		Rev. C
						Page 1/1