

WIRING DIAGRAM : 3 CORE CABLE

▽2	▽3	▽4	
MOLEX I/O CONNECTOR	2 CORE CABLE	MOLEX I/O CONNECTOR	
CIRCUIT No.	CONDUCTOR No.	CIRCUIT No.	CONDUCTOR COLOUR REF
1	1	2	RED
2	BRAID	3	
3	2	4	YELLOW

▽3 CABLE SPECIFICATION : 2 CORE CABLE

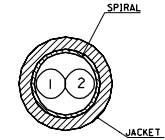
1. CABLE TYPE: FLAT RIBBON ROUND OTHER
 SPIRAL CABLE YES NO
 NO. OF CONDUCTORS 2

2. CABLE REQUIREMENTS : N/A

3. CONDUCTOR SPECIFICATIONS :

	CONDUCTOR NO.
	1, 2
CONDUCTOR :	
- MATERIAL	TINNED CU
- A.W.G.	28
- STRANDING QTY/GUAGE	7/36
- TENSILE STRENGTH	N/A
INSULATION :	
- MATERIAL	SEMI RIGID PVC
- MIN. WALL THICKNESS	0.20
- COLOUR	SEE CABLE DIAGRAM
- OUTSIDE DIAMETER	0.90 ± 0.05
DIRECTION OF LAY	LEFT HAND
LENGTH OF LAY	30 ± 5.0
U.L. RATING	UL - 1692

COLOURS:
 1. RED
 2. YELLOW



SCALE 10:1

4. FILLER :

N/A

5. SEPARATOR :

N/A

6. SHIELD :

FOIL TYPE N/A
 FOIL FACING N/A

7. DRAIN WIRE :

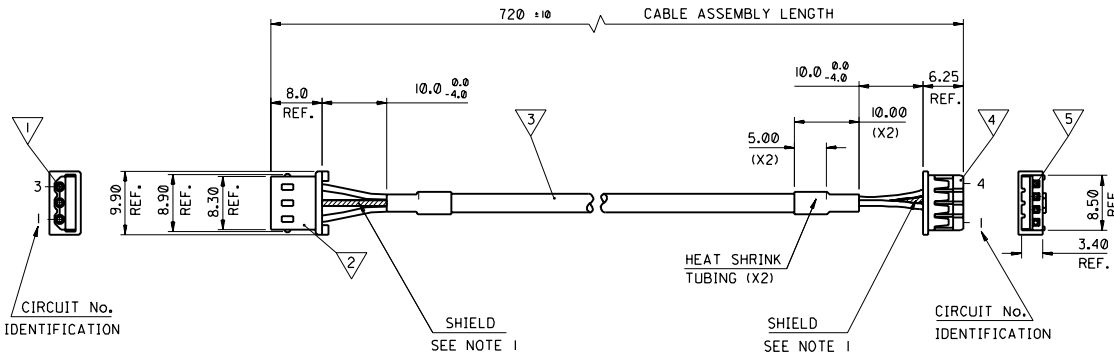
GAUGE N/A
 STRANDING N/A
 REQUIREMENT N/A

8. SPIRAL/BRAID :

GAUGE 38
 COPPER TYPE TINNED
 COVERAGE 90% MINIMUM

9. CABLE JACKET :

TYPE PVC
 FINAL DIAMETER 2.7 ± 0.15
 MIN. THICKNESS 0.30
 COLOUR GREY
 FINISH GLOSS
 U.L. RATING UL 20276
 HARDNESS 61 ± 3 SHORE A
 STRIPABILITY GOOD
 MARKINGS E41663-1 RU ANM STYLE 2590 28 AWG 80°C VW-1 SC



CIRCUIT No. IDENTIFICATION

SHIELD SEE NOTE 1

SHIELD SEE NOTE 1

CIRCUIT No. IDENTIFICATION

BILL OF MATERIALS

NO.	QTY	SUPPLIER	DESCRIPTION	PART No.	SEE NOTE
▽1	3	MOLEX	SPRING-BOX CRIMP TERMINAL	5263PBT	
▽2	1	MOLEX	3 CCT SHROUDED CRIMP TERMINAL HOUSING	5264-03	
▽3	1	MOLEX	2 CORE CABLE SEE CABLE SPECIFICATION	99036-0095	1, 3
▽4	1	MOLEX	4 CIRCUIT CONNECTOR	87369-0400	
▽5	3	MOLEX	CRIMP TERMINAL	50212-8000	

NOTES:

1. BRAIDED SHIELD TO BE TWISTED AND COVERED WITH HEAT SHRINK INSULATION TUBING BEFORE CRIMPING.
2. PARTS TO BE CHECKED FOR SHORTS AND CONTINUITIES.
3. ONLY AVAILABLE FROM MOLEX AS PART OF A CABLE ASSEMBLY.
4. SUPPLIER OR CUSTOMER APPROVED EQUIVALENT.
5. PARTS PACKED LOOSELY IN BAGS.

ORIGINAL RELEASE EDN E7009 97-03-21 DR	REVISIONS	DIMENSIONS SHOWN (METRIC) INCH UNLESS OTHERWISE SPECIFIED TOLERANCES ANGULAR ± ° INCH (METRIC)	DRWG BY DR	REVISIONS	CAD/CAM FILENAME SIB0907V DCN	THIS DRAWING CONTAINS INFORMATION THAT IS PROPRIETARY TO MOLEX INC. & SHOULD NOT BE USED WITHOUT WRITTEN PERMISSION
		3 PLACE # ± 2 PLACE # ± 1 PLACE # ± 2.0	DRWG BY	TITLE AUDIO CABLE ASSEMBLY	SCALE	SHEET NO. DATE
A	LTR	DESIGN DIMENSION (MM) (IN.) (PRIMARY) □ IN.	APPRD BY	SCALE 2:1	MOLEX MOLEX EUROPE	SHEET NO. DATE 10F1 96/08/19
		EQUIVALENT DIMENSION (SECONDARY) □ (MM) □ (IN.)			PART NO. 92609-0001	SIZE C

PART NO. 92609-0001
 QTY. 1
 SDA-92609-0001