

MATERIALS AND FINISHES

BODY ZINC ALLOY
 PLATED BRIGHT TIN 100 MICROINCHES MIN.

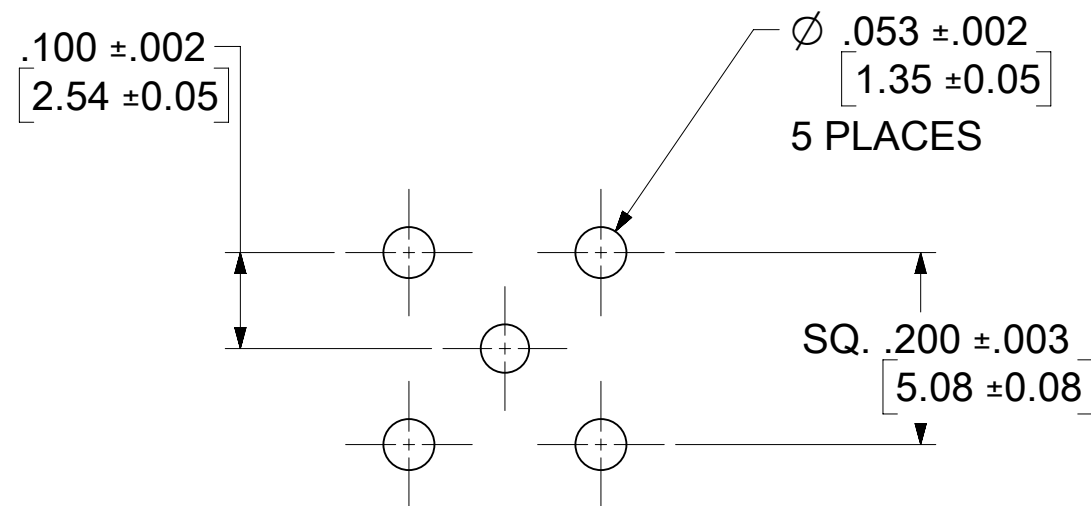
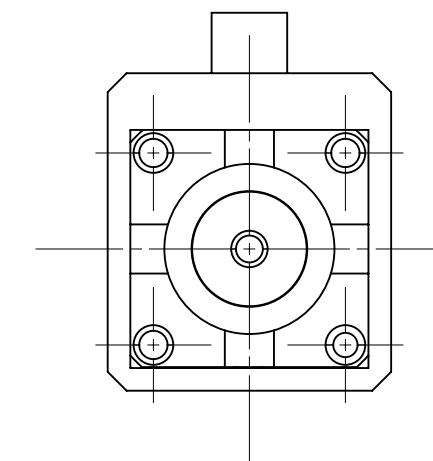
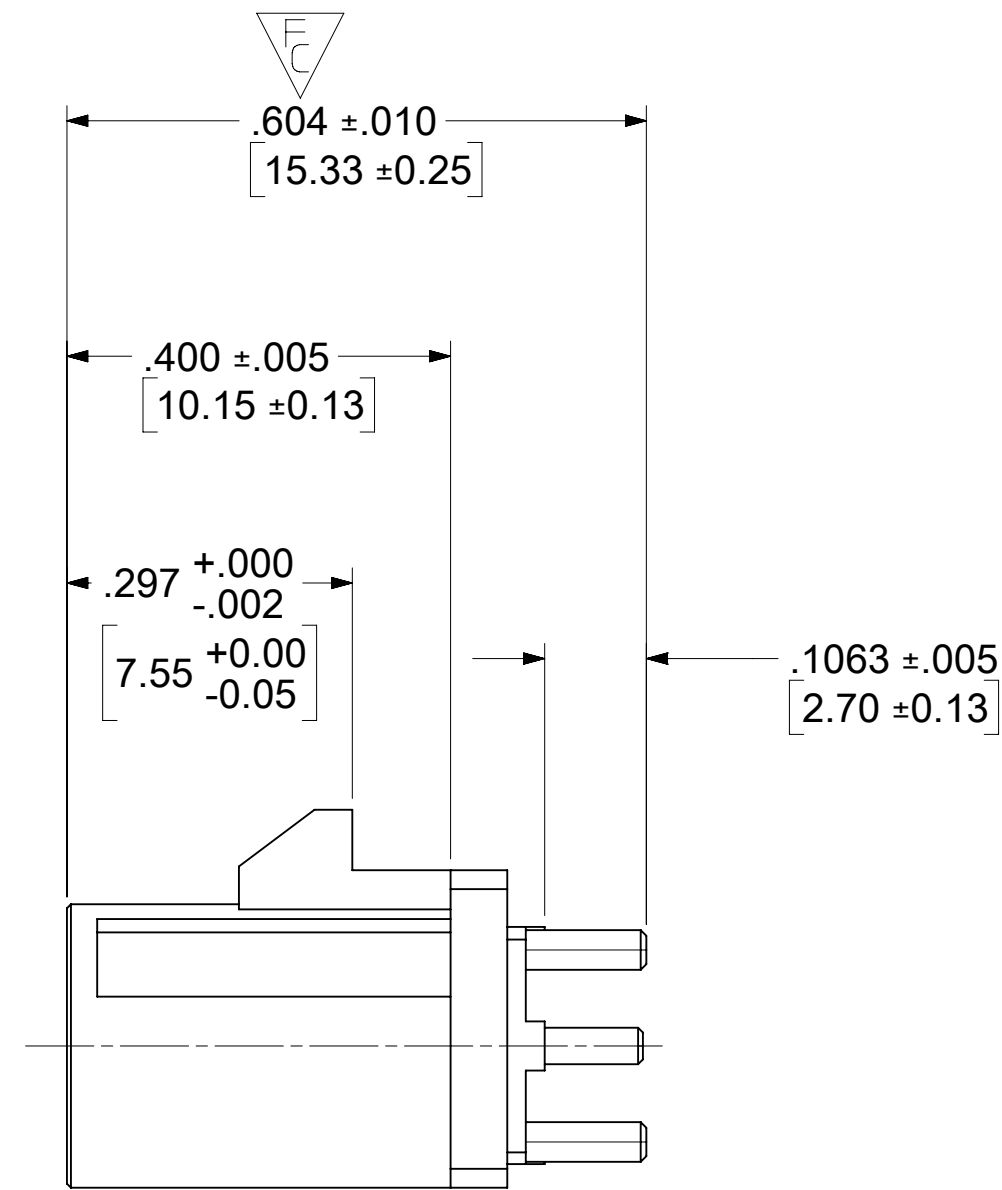
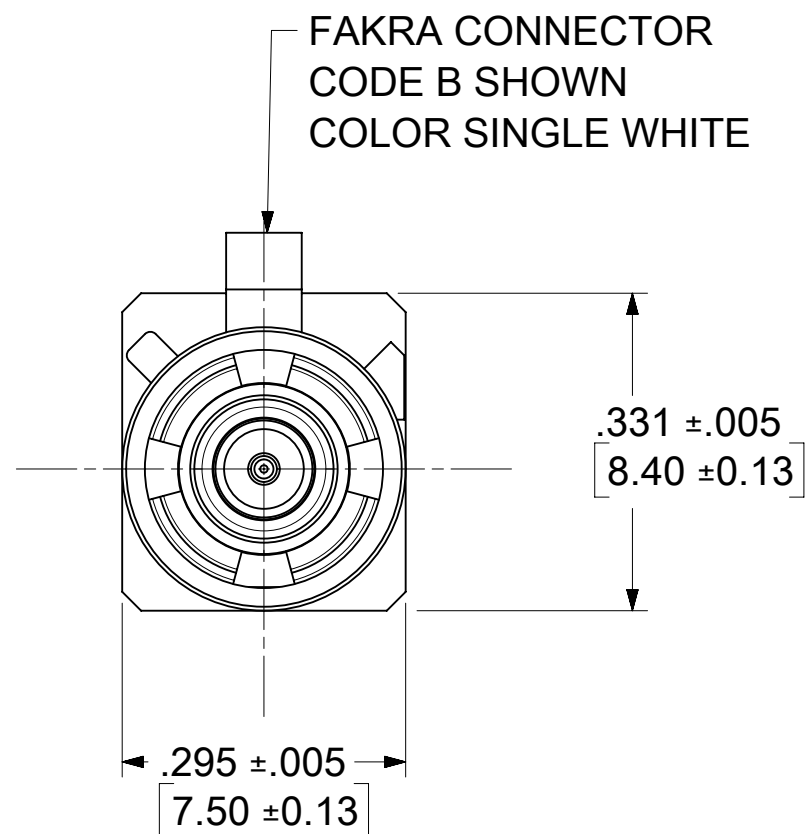
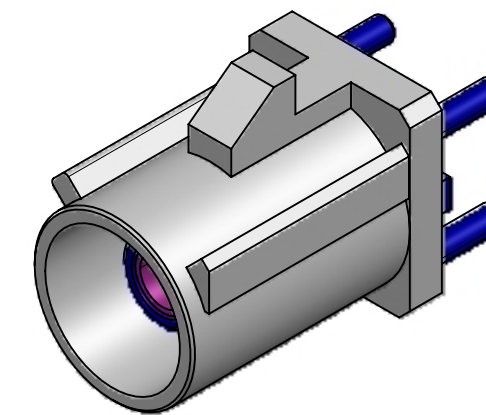
CENTER CONTACT BRASS
 PLATED GOLD 5 MICROINCHES MIN. OVER
 NICKEL 50 MICROINCHES MIN.

OUTER CASING NYLON46 30GF (STANYL TS200F6)
 KEYING CODE B
 COLOR SINGLE WHITE

INSULATOR TEFLON

RETENTION SPECIFICATION:

THE FAKRA CONNECTOR SHROUD WILL WITHSTAND
 A LONGITUDINAL FORCE OF 110 N (24.75 LBS)



RECOMMENDED PCB LAYOUT

PART # 73403-5561

PS-89675-3310	PRODUCT SPECIFICATION
MIL-STD-348A, FIG. 311.1	INTERFACE SPECIFICATION
SPECIFICATION	DESCRIPTION

FUNCTIONAL SYMBOLS $\nabla_A = 0$ $\nabla_C = 0$ $\nabla_P = 0$	THIS DRAWING CONTAINS INFORMATION THAT IS PROPRIETARY TO MOLEX ELECTRONIC TECHNOLOGIES, LLC AND SHOULD NOT BE USED WITHOUT WRITTEN PERMISSION	SCALE		CURRENT REV DESC:						
	DIMENSION UNITS	INCH/MM	SCALE	NTS	GENERAL TOLERANCES (UNLESS SPECIFIED)					
	DIVISIONAL SYMBOLS	4 PLACES	±	ANGULAR TOL	± 2.0°	EC NO: 719496	DRWN: ELIN	2022/08/17	PRODUCT CUSTOMER DRAWING DOCUMENT NUMBER: SD-73403-556 DOC TYPE: PSD DOC PART: 001 REVISION: A4	
	3 PLACES	±	INITIAL REVISION:	DRWN: ELIN	2010/01/20	CHK'D: YCHENG	2022/08/30			
2 PLACES	±	APPR: YCHENG	2022/08/30	MATERIAL NUMBER: SEE TABLE		CUSTOMER: GENERAL MARKET		SHEET NUMBER: 1 OF 8		
1 PLACE	±	DRAFT WHERE APPLICABLE MUST REMAIN WITHIN DIMENSIONS		THIRD ANGLE PROJECTION	DRAWING	SERIES				
0 PLACES	±				C-SIZE	73403				

MATERIALS AND FINISHES

BODY ZINC ALLOY
PLATED BRIGHT TIN 100 MICROINCHES MIN.

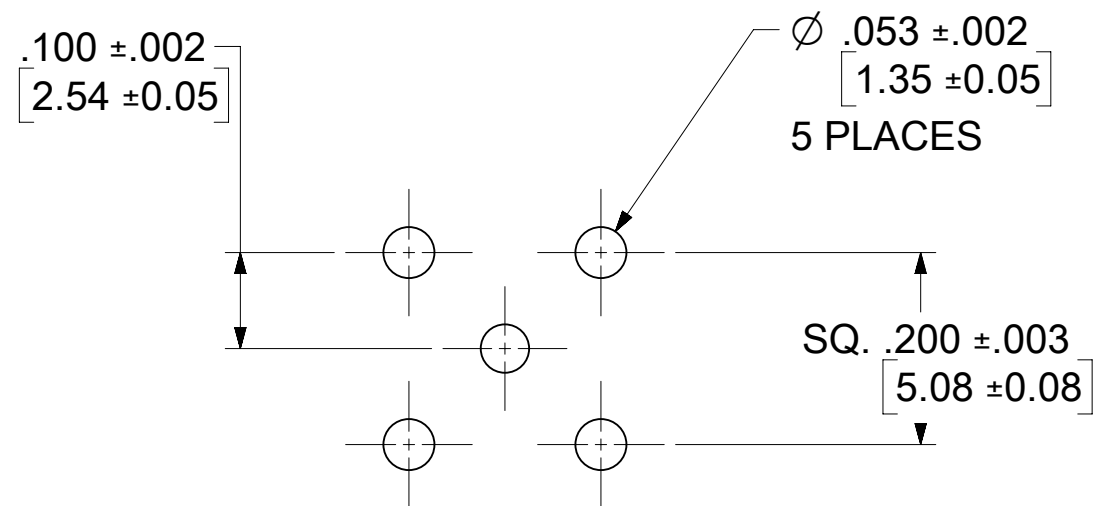
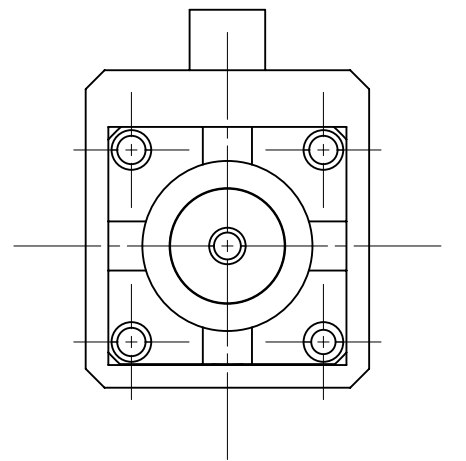
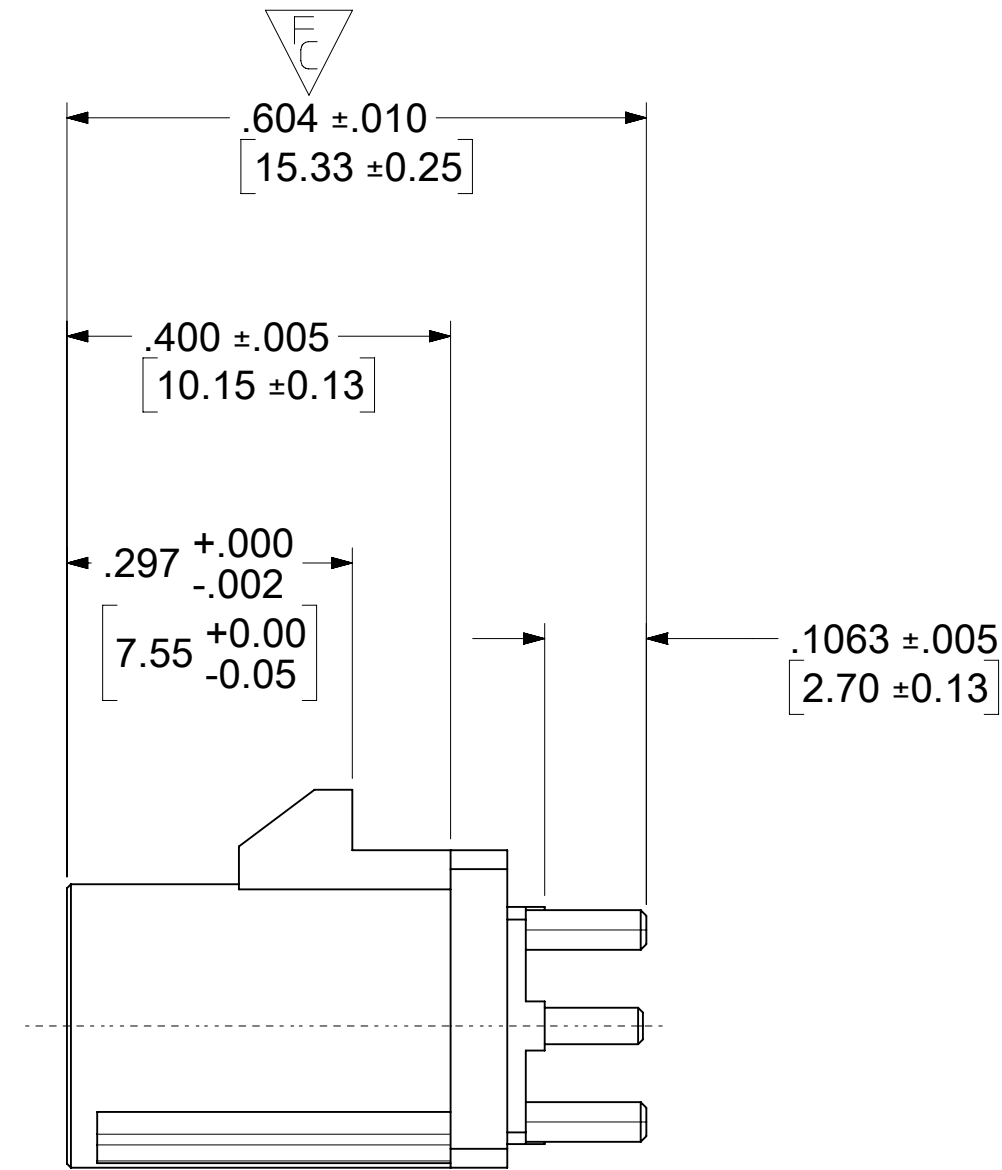
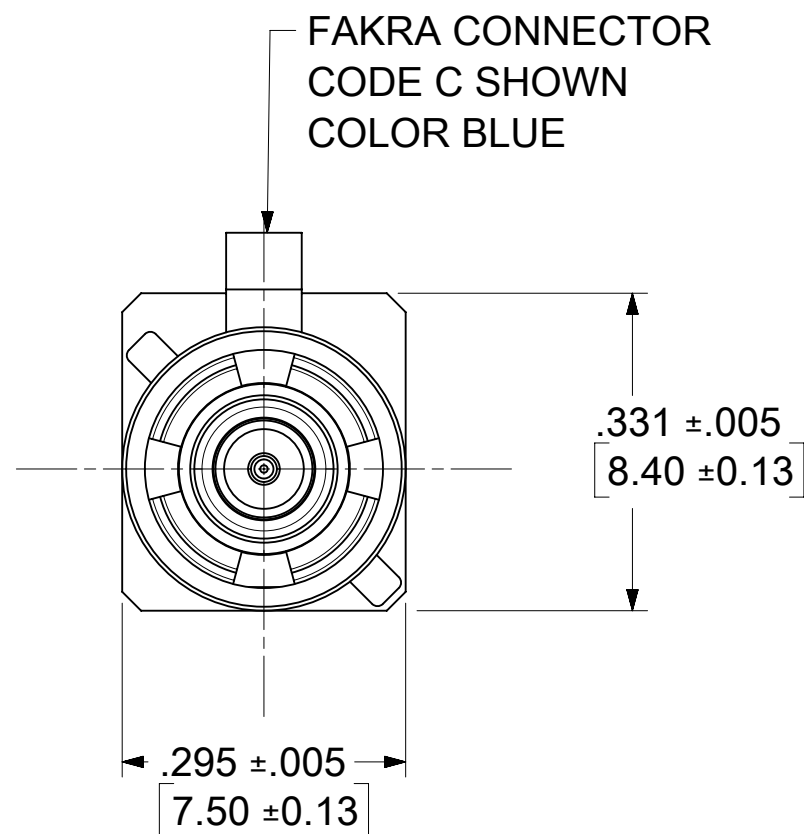
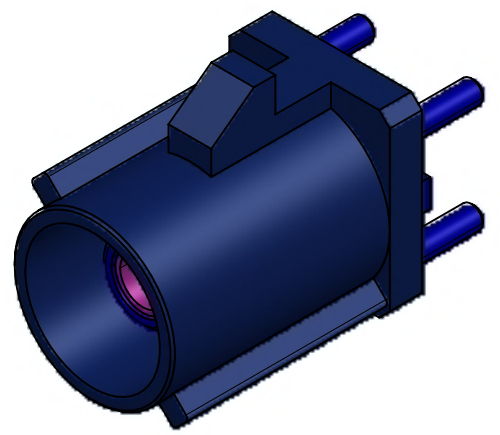
CENTER CONTACT BRASS
PLATED GOLD 5 MICROINCHES MIN. OVER
NICKEL 50 MICROINCHES MIN.

OUTER CASING NYLON46 30GF (STANYL TS200F6)
KEYING CODE C
COLOR BLUE

INSULATOR TEFLON

RETENTION SPECIFICATION:

THE FAKRA CONNECTOR SHROUD WILL WITHSTAND
A LONGITUDINAL FORCE OF 110 N (24.75 LBS)



RECOMMENDED PCB LAYOUT

PART # 73403-5562

PS-89675-3310	PRODUCT SPECIFICATION
MIL-STD-348A, FIG. 311.1	INTERFACE SPECIFICATION
SPECIFICATION	DESCRIPTION

FUNCTIONAL SYMBOLS $\frac{F}{A} = 0$ $\frac{F}{C} = 0$ $\frac{F}{P} = 0$	THIS DRAWING CONTAINS INFORMATION THAT IS PROPRIETARY TO MOLEX ELECTRONIC TECHNOLOGIES, LLC AND SHOULD NOT BE USED WITHOUT WRITTEN PERMISSION	CURRENT REV DESC:					
	DIMENSION UNITS	SCALE	EC NO: 719496				
	INCH/MM	NTS	DRWN: ELIN 2022/08/17				
	GENERAL TOLERANCES (UNLESS SPECIFIED)		CHK'D: YCHENG 2022/08/30				
DIVISIONAL SYMBOLS 4 PLACES ± 3 PLACES ± 2 PLACES ± 1 PLACE ± 0 PLACES ±	ANGULAR TOL ± 2.0°	APPR: YCHENG 2022/08/30	PRODUCT CUSTOMER DRAWING				
	INITIAL REVISION:		DOCUMENT NUMBER				
	DRWN: ELIN 2010/01/20	2010/01/27	SD-73403-556				
	APPR: MHUANG		PSD 001 A4				
DRAFT WHERE APPLICABLE MUST REMAIN WITHIN DIMENSIONS		THIRD ANGLE PROJECTION	DRAWING	SERIES	MATERIAL NUMBER	CUSTOMER	SHEET NUMBER
			C-SIZE	73403	SEE TABLE	GENERAL MARKET	2 OF 8

DOCUMENT STATUS	P1	RELEASE DATE	2022/08/30	08:30:37
-----------------	----	--------------	------------	----------

MATERIALS AND FINISHES

BODY ZINC ALLOY
PLATED BRIGHT TIN 100 MICROINCHES MIN.

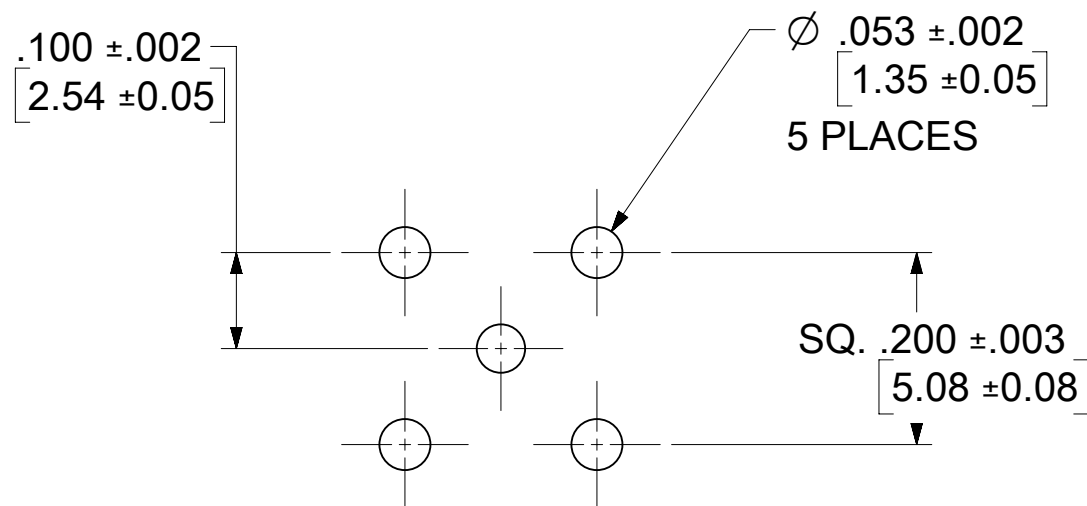
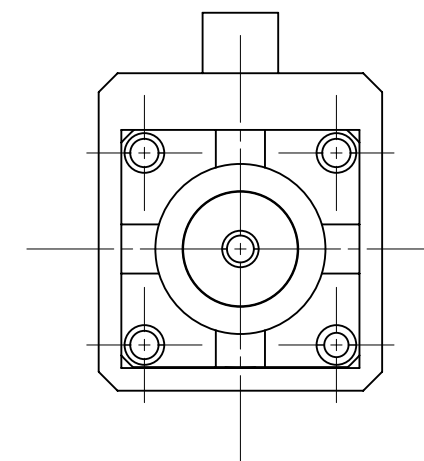
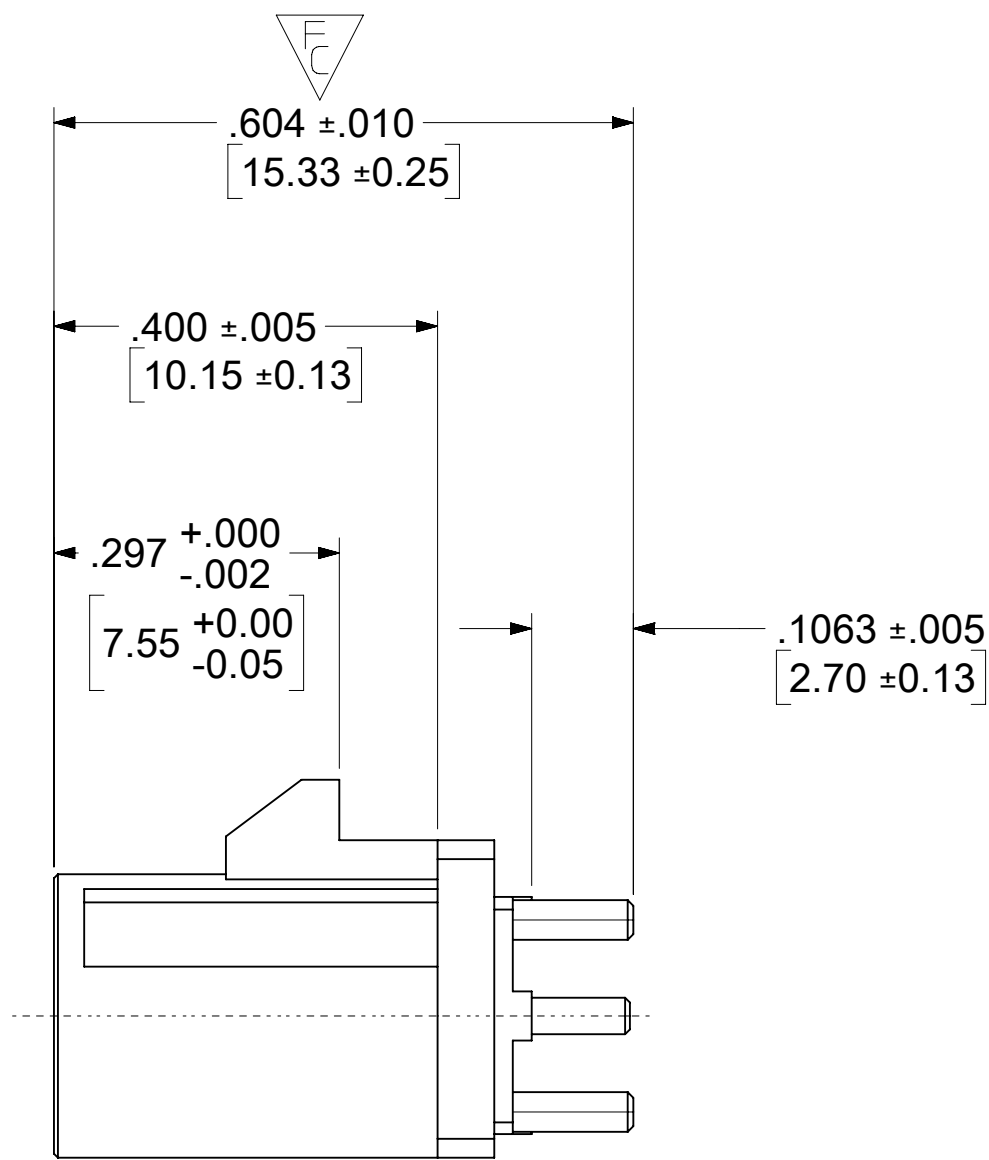
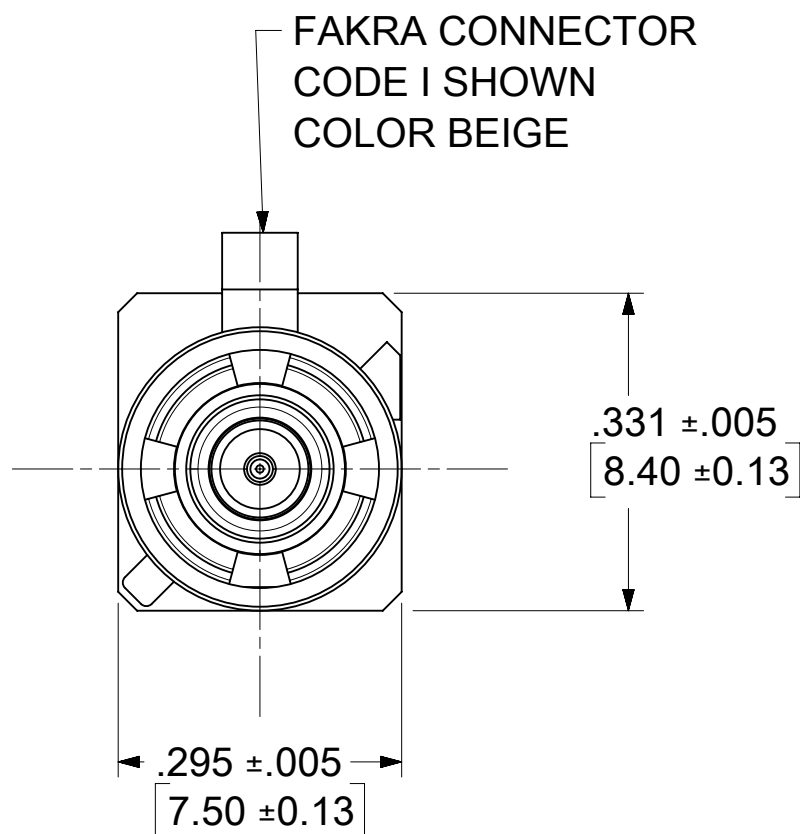
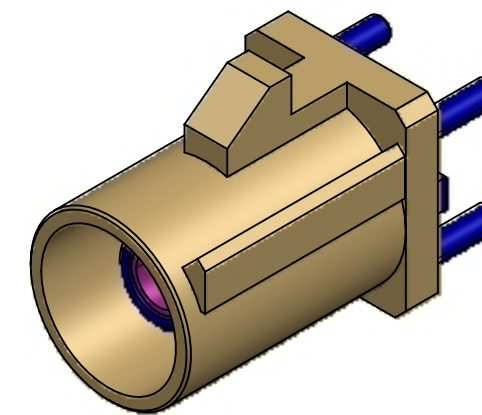
CENTER CONTACT BRASS
PLATED GOLD 5 MICROINCHES MIN. OVER
NICKEL 50 MICROINCHES MIN.

OUTER CASING NYLON46 30GF (STANYL TS200F6)
KEYING CODE I
COLOR BEIGE

INSULATOR TEFLON

RETENTION SPECIFICATION:

THE FAKRA CONNECTOR SHROUD WILL WITHSTAND
A LONGITUDINAL FORCE OF 110 N (24.75 LBS)



RECOMMENDED PCB LAYOUT

PART # 73403-5568

PS-89675-3310	PRODUCT SPECIFICATION
MIL-STD-348A, FIG. 311.1	INTERFACE SPECIFICATION
SPECIFICATION	DESCRIPTION

FUNCTIONAL SYMBOLS $\nabla_A = 0$ $\nabla_C = 0$ $\nabla_P = 0$	THIS DRAWING CONTAINS INFORMATION THAT IS PROPRIETARY TO MOLEX ELECTRONIC TECHNOLOGIES, LLC AND SHOULD NOT BE USED WITHOUT WRITTEN PERMISSION	SCALE		CURRENT REV DESC:						
	DIMENSION UNITS	INCH/MM	SCALE	NTS	GENERAL TOLERANCES (UNLESS SPECIFIED)					
	DIVISIONAL SYMBOLS	4 PLACES	±	ANGULAR TOL	± 2.0°	EC NO: 719496	DRWN: ELIN	2022/08/17	PRODUCT CUSTOMER DRAWING DOCUMENT NUMBER: SD-73403-556 DOC TYPE: PSD DOC PART: 001 REVISION: A4	
	3 PLACES	±	DRWN: YCHENG	2022/08/30	INITIAL REVISION:	DRWN: ELIN	2010/01/20			
2 PLACES	±	APPR: YCHENG	2022/08/30	APPR: MHUANG	2010/01/27	MATERIAL NUMBER: SEE TABLE		CUSTOMER: GENERAL MARKET	SHEET NUMBER: 3 OF 8	
1 PLACE	±	DRAFT WHERE APPLICABLE MUST REMAIN WITHIN DIMENSIONS		THIRD ANGLE PROJECTION	DRAWING	SERIES	C-SIZE		73403	

DOCUMENT STATUS	P1	RELEASE DATE	2022/08/30	08:30:37
-----------------	----	--------------	------------	----------

MATERIALS AND FINISHES

BODY ZINC ALLOY
 PLATED BRIGHT TIN 100 MICROINCHES MIN.

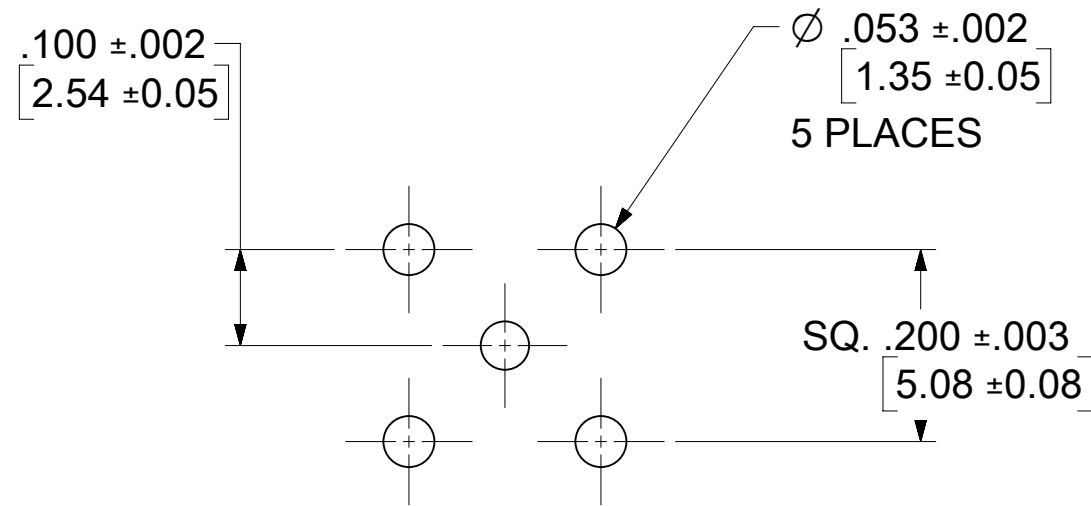
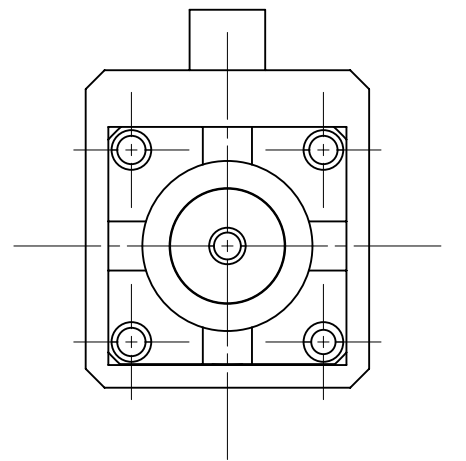
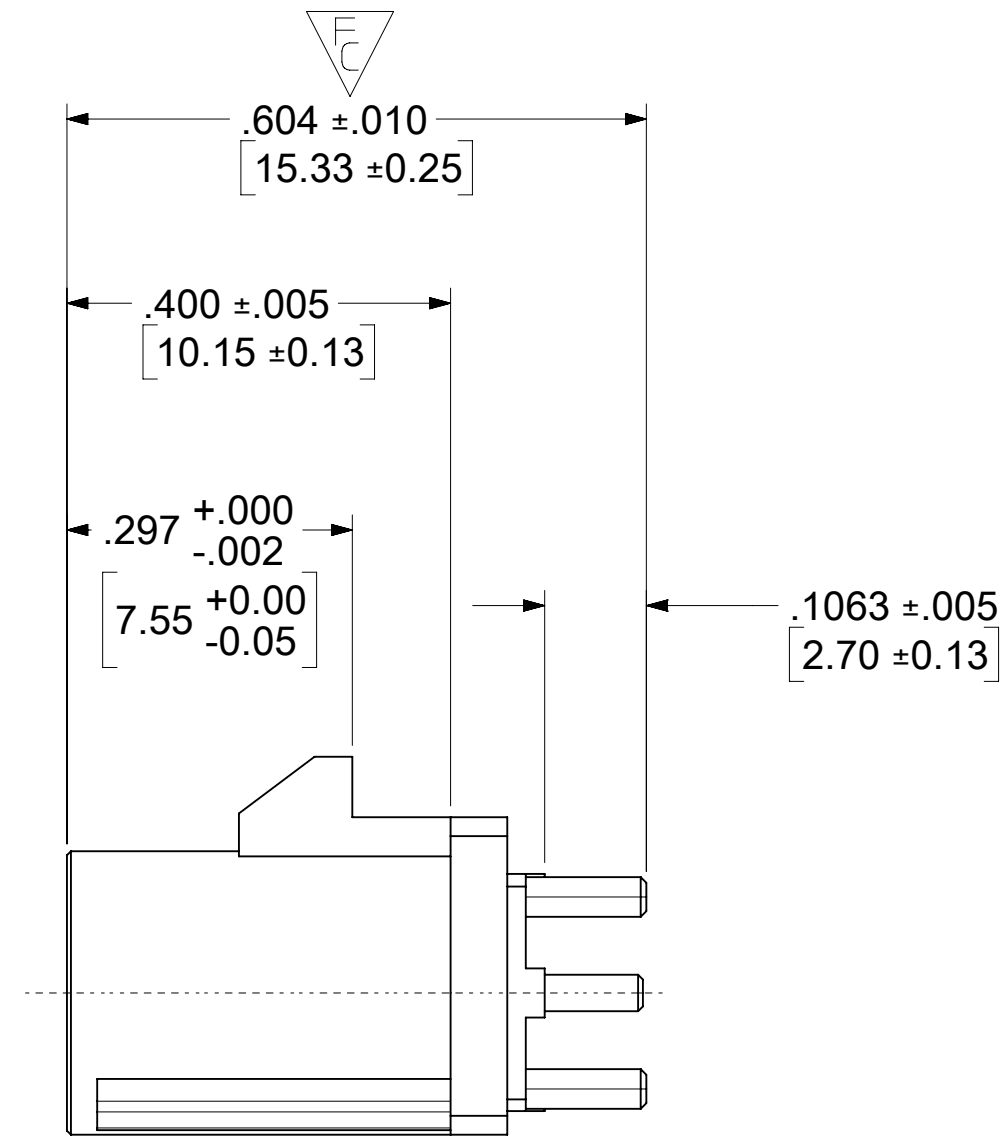
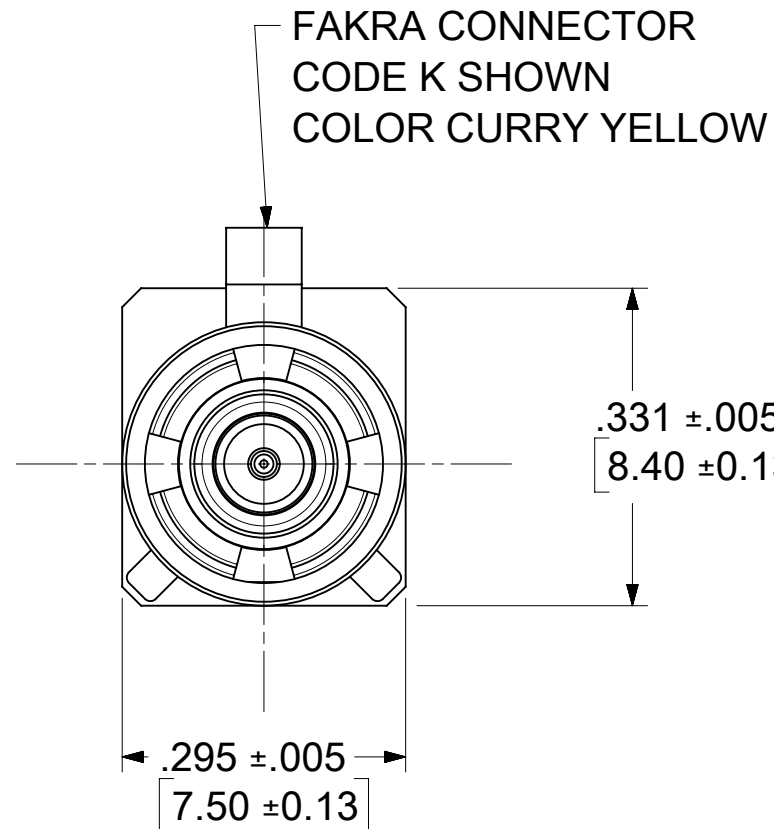
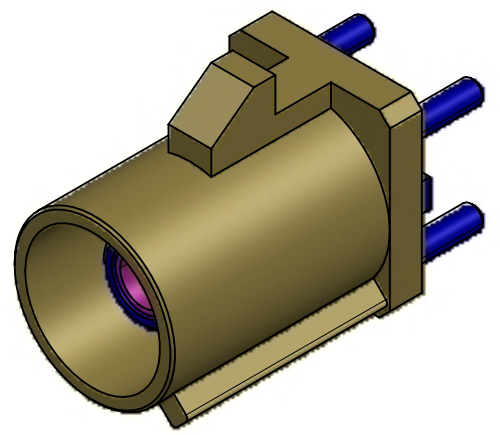
CENTER CONTACT BRASS
 PLATED GOLD 5 MICROINCHES MIN. OVER
 NICKEL 50 MICROINCHES MIN.

OUTER CASING NYLON46 30GF (STANYL TS200F6)
 KEYING CODE K
 COLOR CURRY YELLOW

INSULATOR TEFLON

RETENTION SPECIFICATION:

THE FAKRA CONNECTOR SHROUD WILL WITHSTAND
 A LONGITUDINAL FORCE OF 110 N (24.75 LBS)



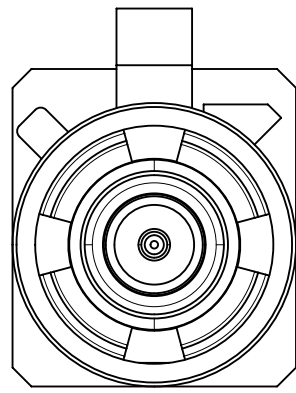
RECOMMENDED PCB LAYOUT

PART # 73403-5569

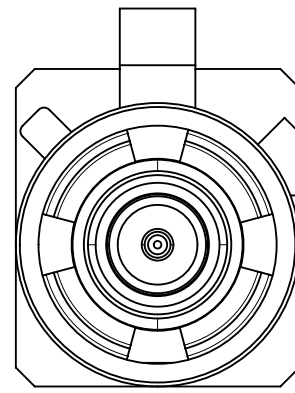
PS-89675-3310	PRODUCT SPECIFICATION
MIL-STD-348A, FIG. 311.1	INTERFACE SPECIFICATION
SPECIFICATION	DESCRIPTION

FUNCTIONAL SYMBOLS	THIS DRAWING CONTAINS INFORMATION THAT IS PROPRIETARY TO MOLEX ELECTRONIC TECHNOLOGIES, LLC AND SHOULD NOT BE USED WITHOUT WRITTEN PERMISSION														
	DIMENSION UNITS	SCALE	CURRENT REV DESC:							molex					
	$\frac{F}{A} = 0$	INCH/MM	NTS												
	DIVISIONAL SYMBOLS	GENERAL TOLERANCES (UNLESS SPECIFIED)		EC NO: 719496							2022/08/17				
$\frac{E}{C} = 0$	ANGULAR TOL ± 2.0°		4 PLACES ±		DRWN: ELIN		2022/08/30			SMB JACK, FAKRA, VERTICAL PCB, 50 OHM SMB-J/PCB, EWR # 14535					
$\frac{E}{P} = 0$			3 PLACES ±		CHK'D: YCHENG		2022/08/30			PRODUCT CUSTOMER DRAWING					
			2 PLACES ±		APPR: YCHENG		2022/08/30			DOCUMENT NUMBER					
			1 PLACE ±		INITIAL REVISION:		2010/01/20			DOC TYPE					
			0 PLACES ±		DRWN: ELIN		2010/01/27			DOC PART					
DRAFT WHERE APPLICABLE MUST REMAIN WITHIN DIMENSIONS			THIRD ANGLE PROJECTION		DRAWING		SERIES		MATERIAL NUMBER		CUSTOMER		SHEET NUMBER		
					C-SIZE		73403		SEE TABLE		GENERAL MARKET		4 OF 8		
								SD-73403-556		PSD		001		A4	

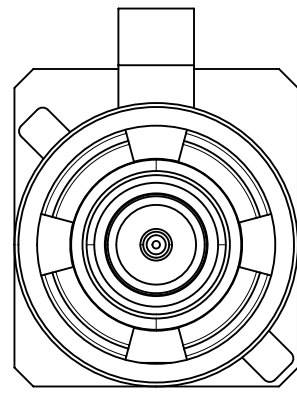
DOCUMENT STATUS	P1	RELEASE DATE	2022/08/30	08:30:37
-----------------	----	--------------	------------	----------



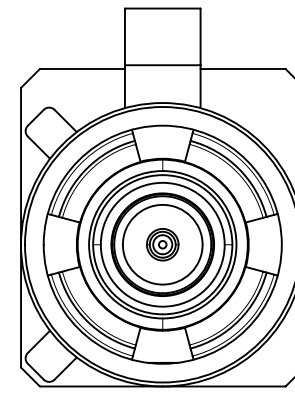
CODE A



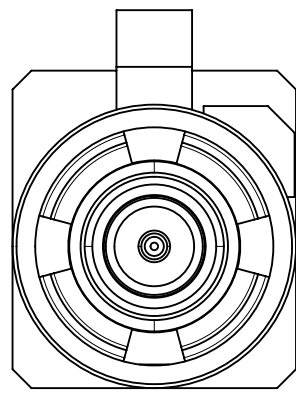
CODE B



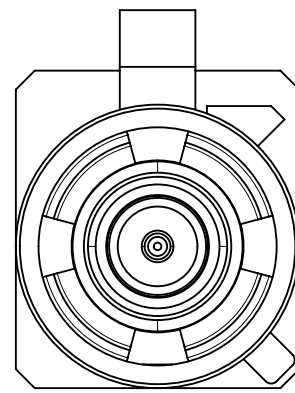
CODE C



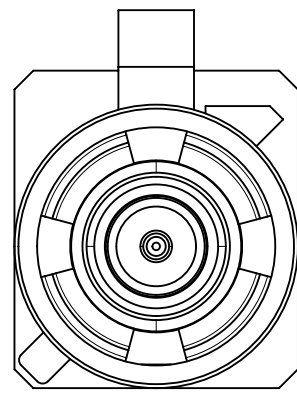
CODE D



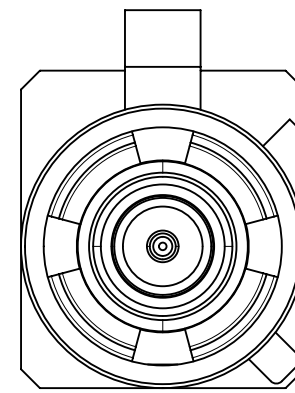
CODE E



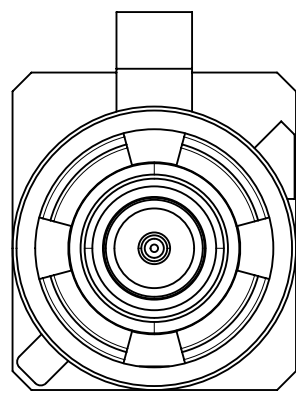
CODE F



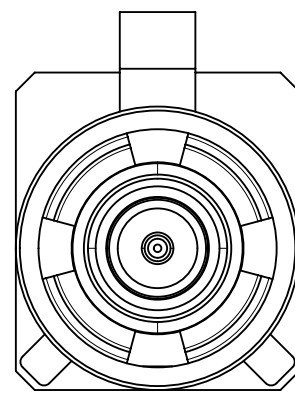
CODE G



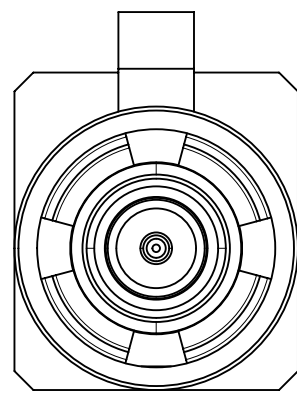
CODE H



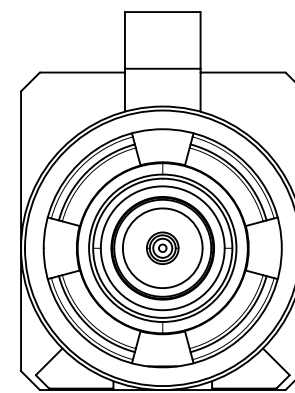
CODE I



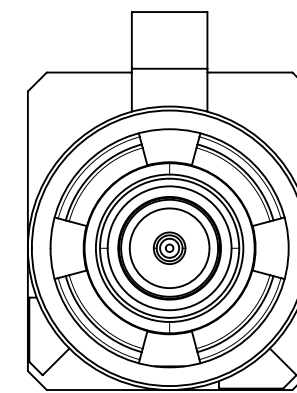
CODE K



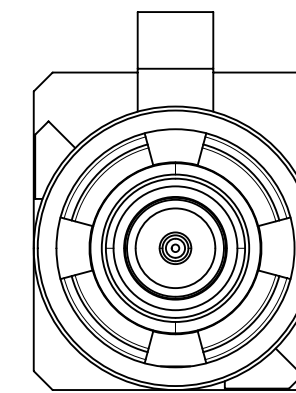
CODE Z



CODE L



CODE M



CODE N

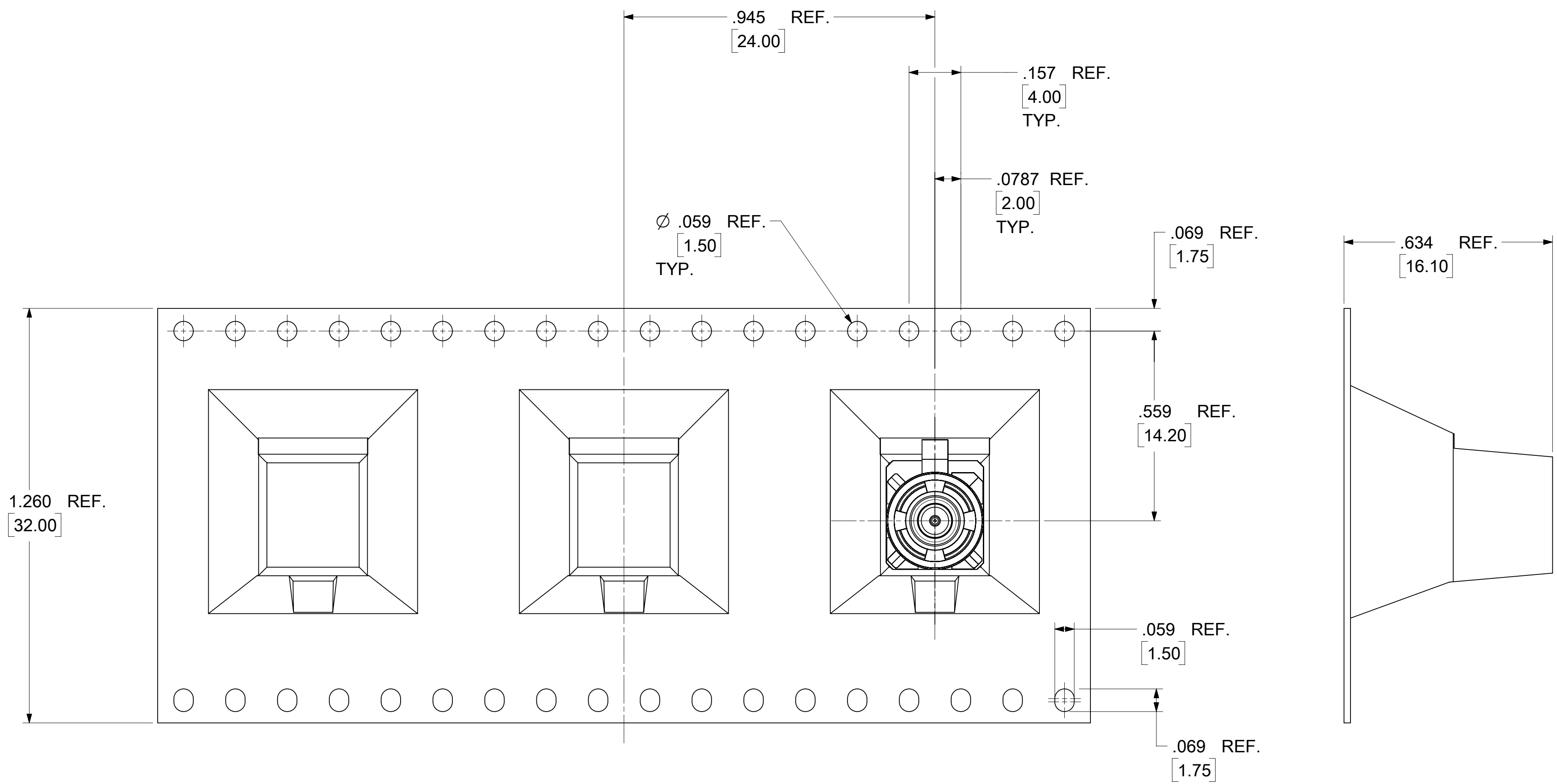
N	PASTEL GREEN	73403-5573
M	PASTEL ORANGE	73403-5572
L	CARMINE RED	73403-5571
Z	WATER BLUE	73403-5570
K	CURRY YELLOW	73403-5569
I	BEIGE	73403-5568
H	VIOLET	73403-5567
G	GRAY	73403-5566
F	BROWN	73403-5565
E	GREEN	73403-5564
D	BORDEAUXVIOLET	73403-5563
C	BLUE	73403-5562
B	SINGLE WHITE	73403-5561
A	BLACK	73403-5560
KEYING CODE	COLOR	PART NO.

FUNCTIONAL SYMBOLS	THIS DRAWING CONTAINS INFORMATION THAT IS PROPRIETARY TO MOLEX ELECTRONIC TECHNOLOGIES, LLC AND SHOULD NOT BE USED WITHOUT WRITTEN PERMISSION		
	DIMENSION UNITS	SCALE	CURRENT REV DESC:
$\frac{E}{A} = 0$	INCH/MM	NTS	EC NO: 719496 DRWN: ELIN 2022/08/17 CHK'D: YCHENG 2022/08/30 APPR: YCHENG 2022/08/30
$\frac{E}{C} = 0$	GENERAL TOLERANCES (UNLESS SPECIFIED)		
$\frac{E}{P} = 0$	ANGULAR TOL $\pm 2.0^\circ$		
DIVISIONAL SYMBOLS	4 PLACES	\pm	INITIAL REVISION: DRWN: ELIN 2010/01/20 APPR: MHUANG 2010/01/27
	3 PLACES	\pm	
	2 PLACES	\pm	
	1 PLACE	\pm	
	0 PLACES	\pm	
DRAFT WHERE APPLICABLE MUST REMAIN WITHIN DIMENSIONS		THIRD ANGLE PROJECTION	DRAWING
			C-SIZE
		SERIES	73403
DOCUMENT NUMBER		DOC TYPE	DOC PART
SD-73403-556		PSD	001
MATERIAL NUMBER		CUSTOMER	SHEET NUMBER
SEE TABLE		GENERAL MARKET	5 OF 8
REVISION		A4	

molex

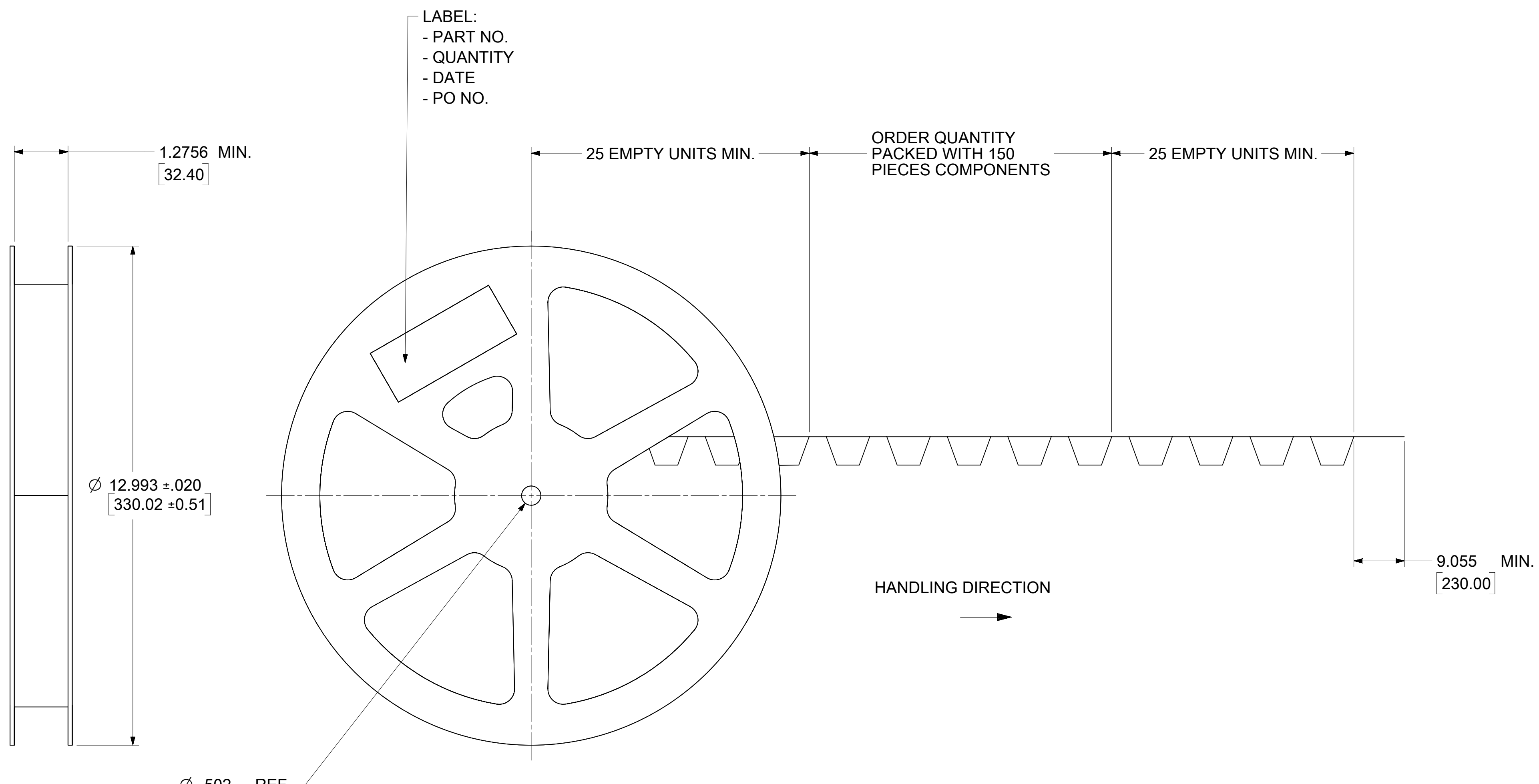
SMB JACK, FAKRA, VERTICAL PCB, 50 OHM
SMB-J/PCB, EWR # 14535

PRODUCT CUSTOMER DRAWING



FUNCTIONAL SYMBOLS		THIS DRAWING CONTAINS INFORMATION THAT IS PROPRIETARY TO MOLEX ELECTRONIC TECHNOLOGIES, LLC AND SHOULD NOT BE USED WITHOUT WRITTEN PERMISSION		CURRENT REV DESC:					
DIMENSION UNITS		SCALE		EC NO: 719496					
INCH/MM		NTS		DRWN: ELIN		SMB-J/PCB, EWR # 14535			
GENERAL TOLERANCES (UNLESS SPECIFIED)		ANGULAR TOL ± 2.0°		CHK'D: YCHENG		PRODUCT CUSTOMER DRAWING			
4 PLACES ±				APPR: YCHENG		DOCUMENT NUMBER			
3 PLACES ±				INITIAL REVISION:		2010/01/20		DOC TYPE	
2 PLACES ±				DRWN: ELIN		2010/01/27		DOC PART	
1 PLACE ±				APPR: MHUANG		SD-73403-556		REVISION	
0 PLACES ±				DRAFT WHERE APPLICABLE MUST REMAIN WITHIN DIMENSIONS		SERIES		SHEET NUMBER	
		THIRD ANGLE PROJECTION		DRAWING		73403		1	
				C-SIZE		SEE TABLE		6 OF 8	

DOCUMENT STATUS	P1	RELEASE DATE	2022/08/30	08:30:37
-----------------	----	--------------	------------	----------

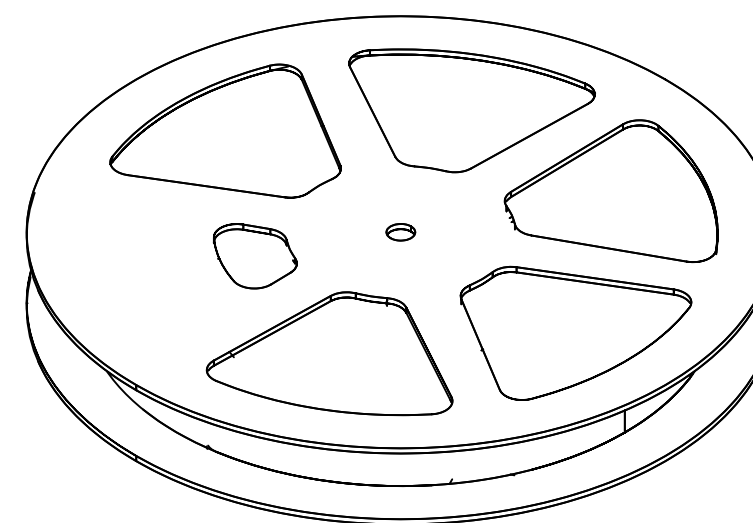
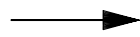
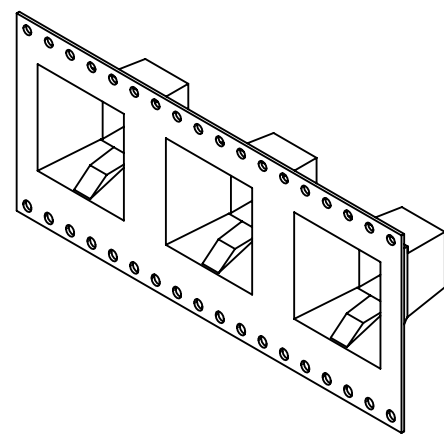
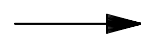
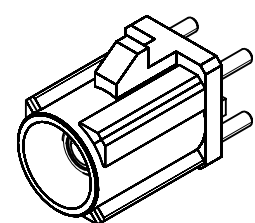


ORDER QUANTITY
PACKED WITH 150
PIECES COMPONENTS

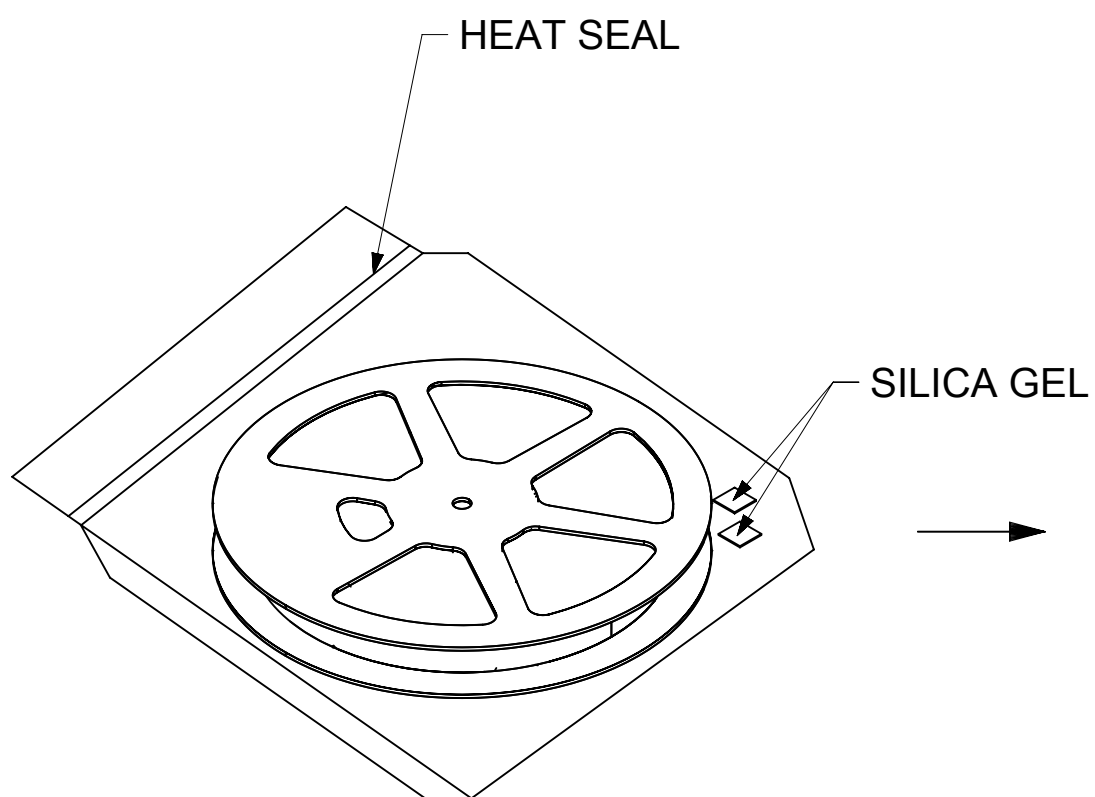
HANDLING DIRECTION
→

NOTE:
13" REEL SIZE FOR 150 PIECES

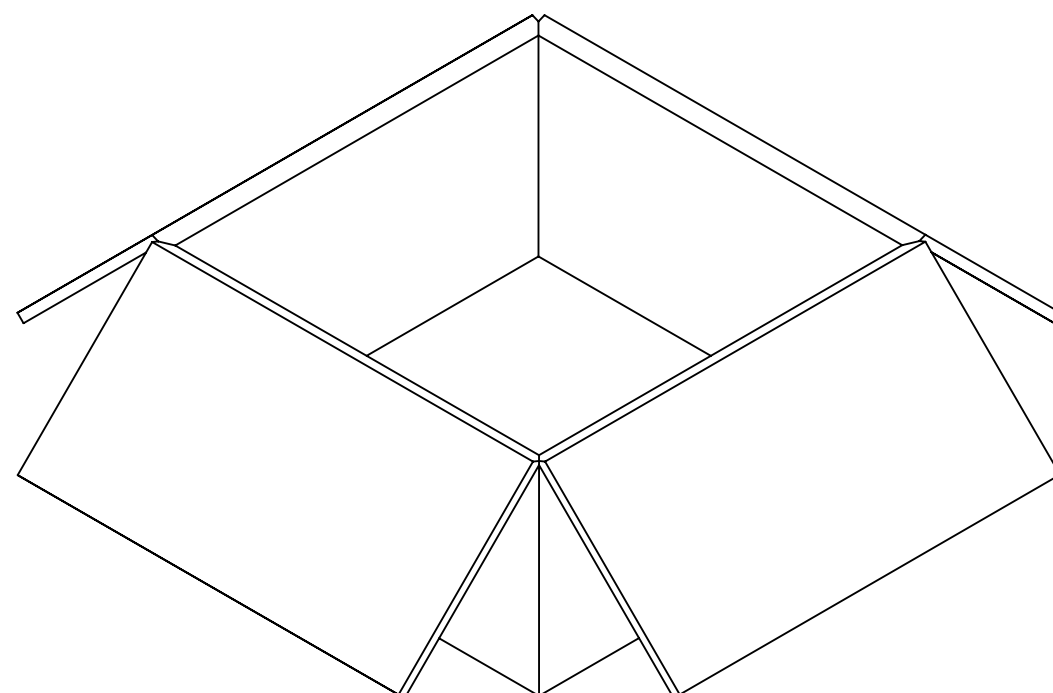
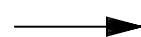
FUNCTIONAL SYMBOLS $\nabla_A = 0$ $\nabla_C = 0$ $\nabla_P = 0$	THIS DRAWING CONTAINS INFORMATION THAT IS PROPRIETARY TO MOLEX ELECTRONIC TECHNOLOGIES, LLC AND SHOULD NOT BE USED WITHOUT WRITTEN PERMISSION	CURRENT REV DESC:					
	DIMENSION UNITS	SCALE	EC NO: 719496				
	INCH/MM	NTS	DRWN: ELIN 2022/08/17		SMB JACK, FAKRA, VERTICAL PCB, 50 OHM		
	GENERAL TOLERANCES (UNLESS SPECIFIED)		CHK'D: YCHENG 2022/08/30		SMB-J/PCB, EWR # 14535		
ANGULAR TOL ± 2.0°		APPR: YCHENG 2022/08/30		PRODUCT CUSTOMER DRAWING			
4 PLACES ±		INITIAL REVISION:		DOCUMENT NUMBER			
3 PLACES ±		DRWN: ELIN 2010/01/20		SD-73403-556			
2 PLACES ±		APPR: MHUANG 2010/01/27		DOC TYPE			
1 PLACE ±		THIRD ANGLE PROJECTION		PSD			
0 PLACES ±		DRAWING		DOC PART			
DRAFT WHERE APPLICABLE MUST REMAIN WITHIN DIMENSIONS		C-SIZE		REVISION			
		SERIES		001			
		MATERIAL NUMBER		A4			
		CUSTOMER		SHEET NUMBER			
		GENERAL MARKET		7 OF 8			



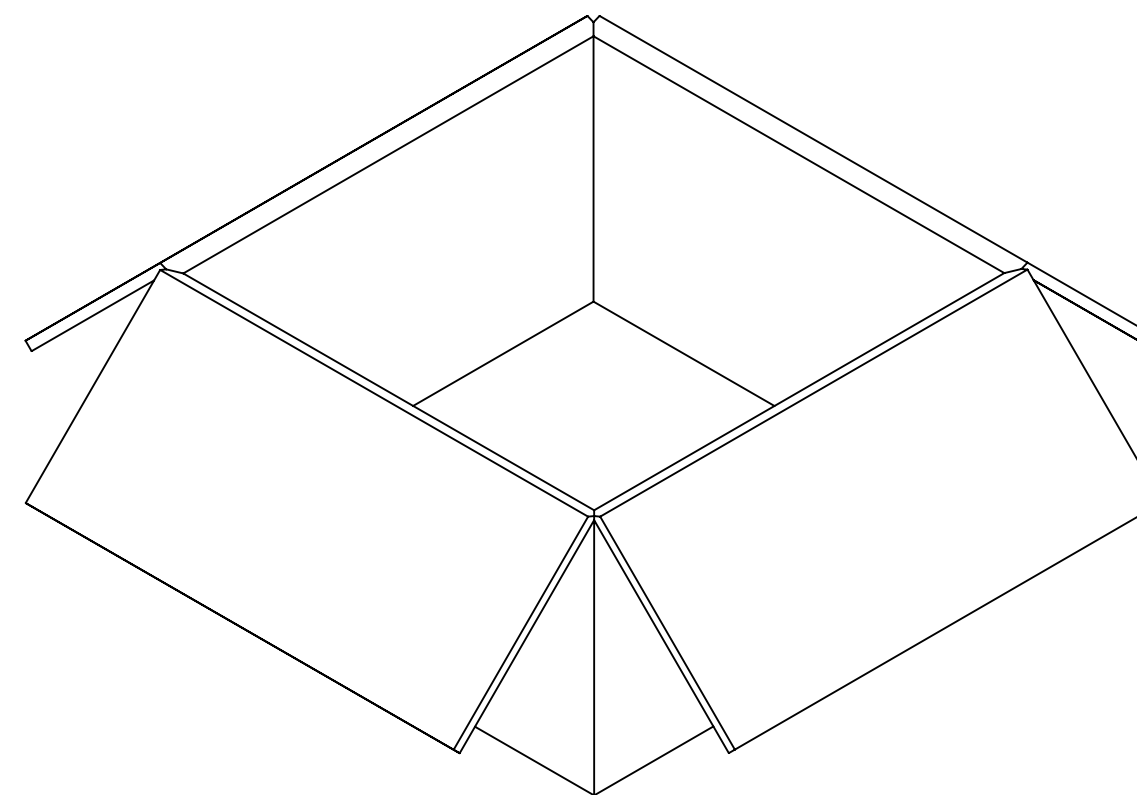
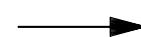
150 SET PER 13" REEL



HDPE BAG



600 SET PER INNER
CARTON BOX



600 SET PER OUTER
CARTON BOX

FUNCTIONAL SYMBOLS	THIS DRAWING CONTAINS INFORMATION THAT IS PROPRIETARY TO MOLEX ELECTRONIC TECHNOLOGIES, LLC AND SHOULD NOT BE USED WITHOUT WRITTEN PERMISSION										
	DIMENSION UNITS	SCALE	CURRENT REV DESC:								
$\frac{F}{A} = 0$	INCH/MM	NTS	EC NO: 719496								
$\frac{E}{C} = 0$	GENERAL TOLERANCES (UNLESS SPECIFIED)		DRWN: ELIN 2022/08/17								
$\frac{E}{P} = 0$	ANGULAR TOL $\pm 2.0^\circ$		CHK'D: YCHENG 2022/08/30								
DIVISIONAL SYMBOLS	4 PLACES \pm		APPR: YCHENG 2022/08/30								
	3 PLACES \pm		INITIAL REVISION:								
	2 PLACES \pm		DRWN: ELIN 2010/01/20								
	1 PLACE \pm		APPR: MHUANG 2010/01/27								
0 PLACES \pm		DRAFT WHERE APPLICABLE MUST REMAIN WITHIN DIMENSIONS		THIRD ANGLE PROJECTION		DRAWING	SERIES	MATERIAL NUMBER	CUSTOMER	SHEET NUMBER	
				C-SIZE	73403	SEE TABLE	GENERAL MARKET	SD-73403-556	PSD 001	A4	

molex

SMB JACK, FAKRA, VERTICAL PCB, 50 OHM
SMB-J/PCB, EWR # 14535

PRODUCT CUSTOMER DRAWING

DOCUMENT NUMBER	DOC TYPE	DOC PART	REVISION
SD-73403-556	PSD	001	A4

DOCUMENT STATUS	P1	RELEASE DATE	2022/08/30	08:30:37
-----------------	----	--------------	------------	----------