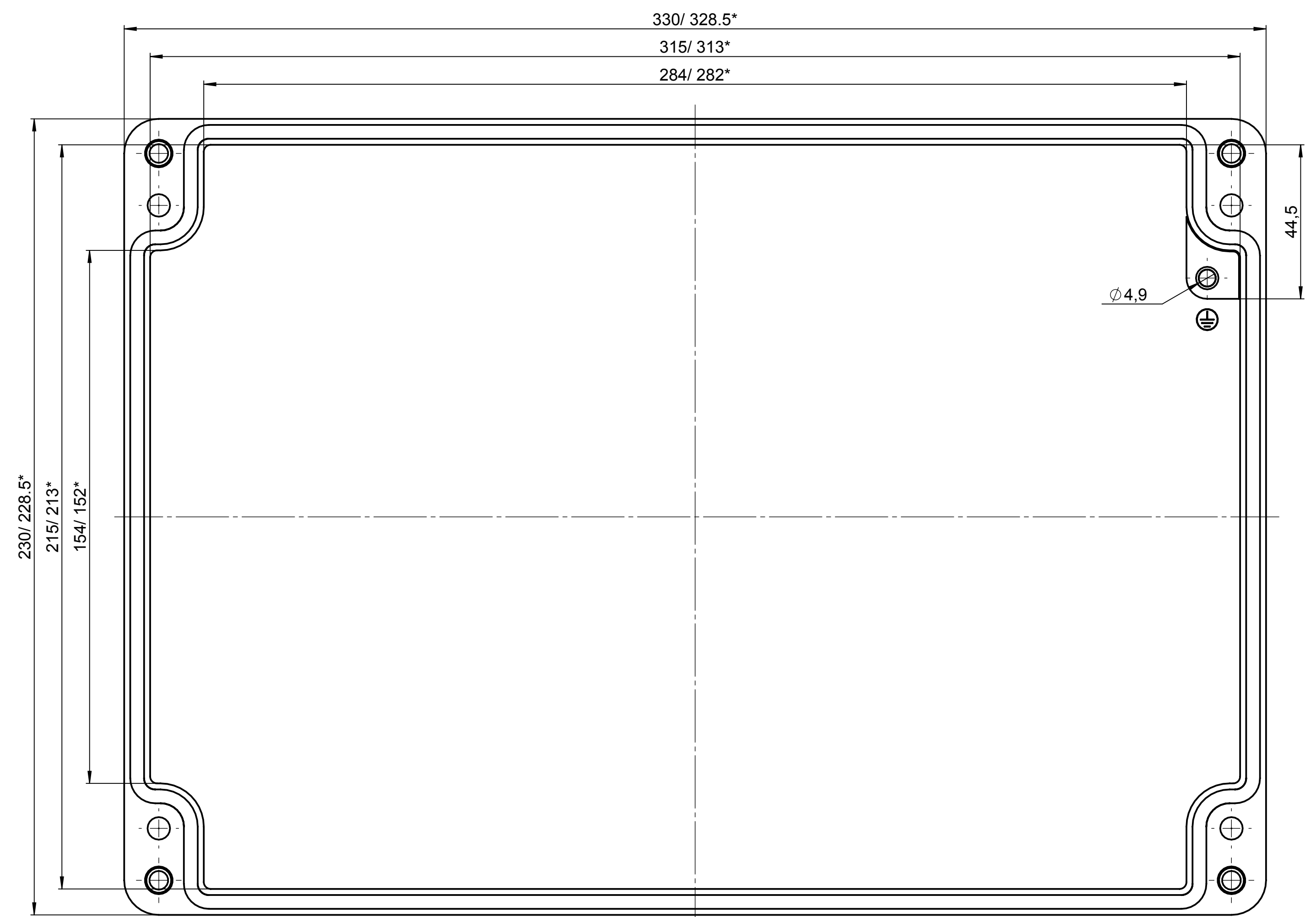
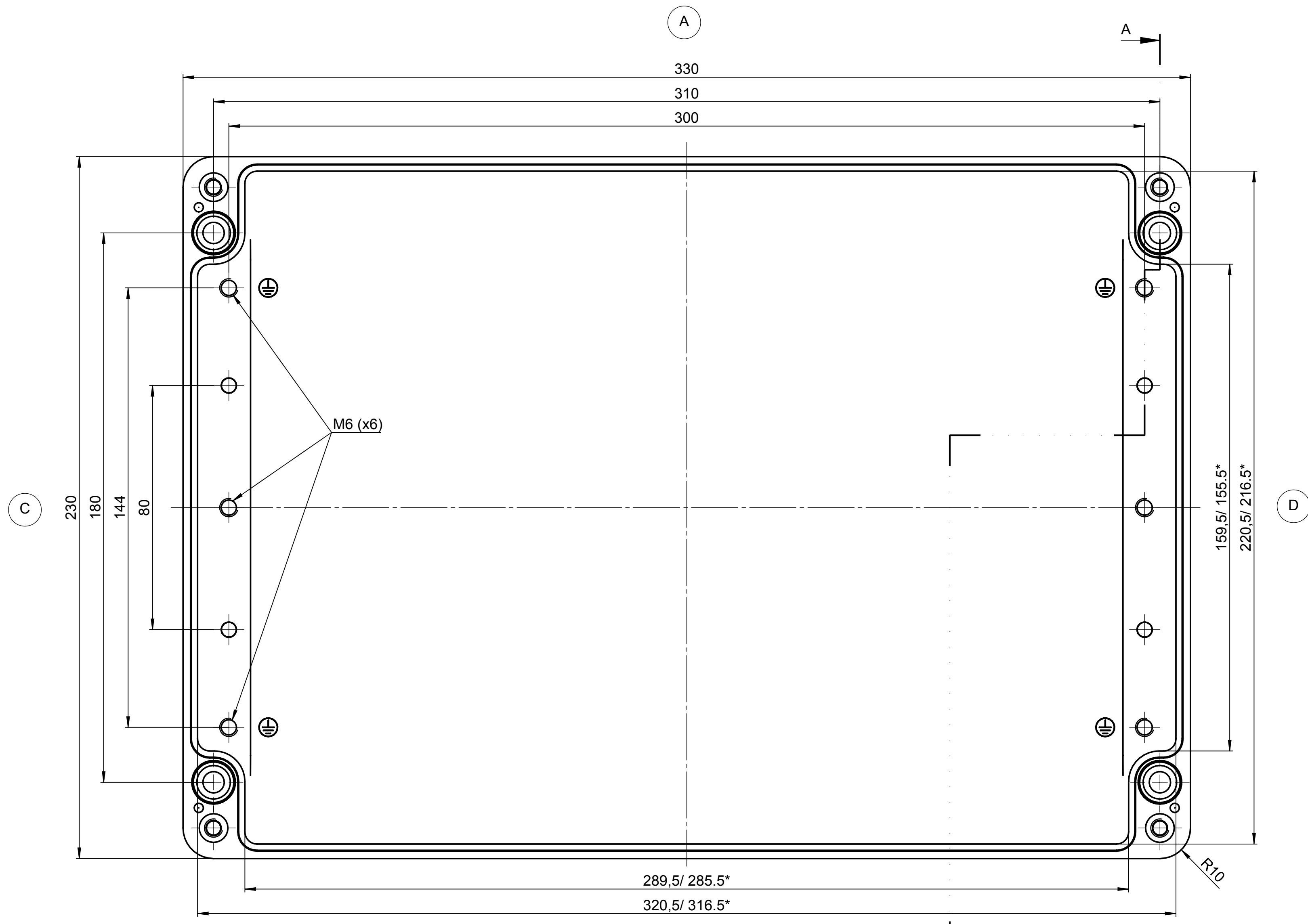


All rights reserved. No copies  
 permitted without written  
 permission of the  
 manufacturer.

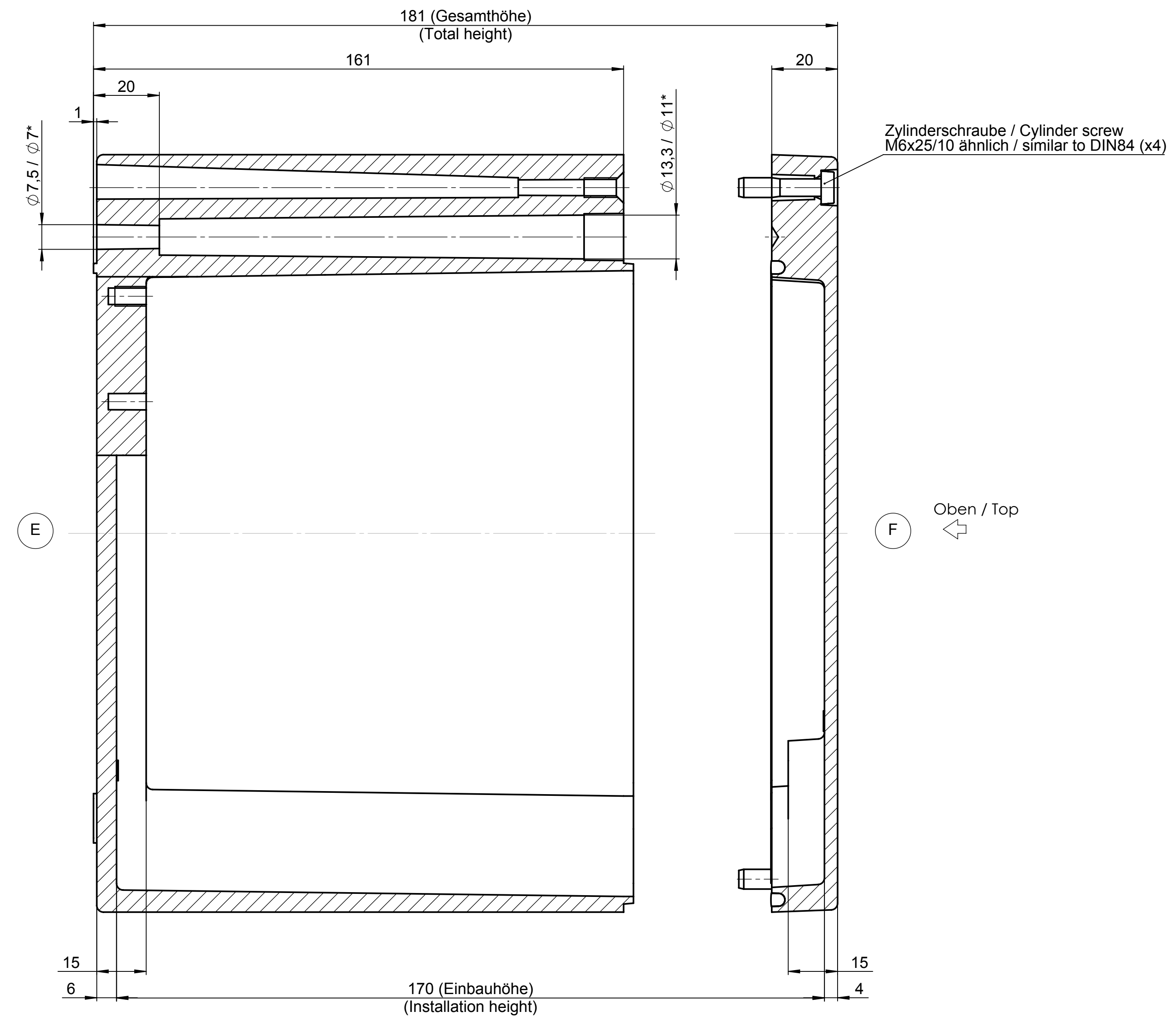


(Deckel / Lid)

\* = Mass durch Formkonizität nach unten verringert.  
 Freimass - Toleranz nach GTA 14/5 - DIN 1688  
 \* = Dimensions reduced in the lower part by mould incline  
 General tolerances according to GTA 14/5 - DIN 1688



(Unterteil / Base)



Projekt-Nr./project-no.		KAT01.233318	
Farbe/color	Gewicht/weight	5.72kg	
Änderung/Modification	Datum/Date	10.11.16	
Systemtechnik GmbH	32457 Porta Westfalica	D.Mack	
ROSE	Benennung/Description	Aluminium Gehäuse	
Scale	1:1	Aluminium enclosure	
DIN A0			