

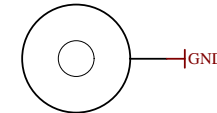
1

2

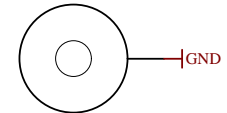
3

4

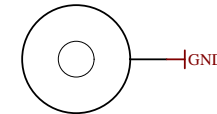
U_J1 J1.SchDoc	U_B_PS_GT B_PS_GT.SchDoc	U_DDR4-TERM DDR4-TERM.SchDoc
U_J2 J2.SchDoc	U_PS_DDR PS_DDR.SchDoc	U_ZU_POWER ZU_POWER.SchDoc
U_J3 J3.SchDoc	U_B_MIO B_MIO.SchDoc	U_ZU_PS_POWER ZU_PS_POWER.SchDoc
U_J4 J4.SchDoc	U_B_HD B_HD.SchDoc	U_POWER POWER.SchDoc
U_DDR4-TERM DDR4-TERM.SchDoc	U_Clock Clock.SchDoc	U_POWER_2 POWER_2.SchDoc
U_B64 B64.SchDoc	U_CONFIG CONFIG.SchDoc	U_POWER_3 POWER_3.SchDoc
U_B65 B65.SchDoc	U_DDR4-RAM DDR4-RAM.SchDoc	U_POWER_4 POWER_4.SchDoc
U_B66 B66.SchDoc	U_DDR4-RAM_2 DDR4-RAM_2.SchDoc	
U_B_GT B_GT.SchDoc	U_DDR4-RAM_3 DDR4-RAM_3.SchDoc	
U_B_GT_2 B_GT_2.SchDoc	U_DDR4-RAM_4 DDR4-RAM_4.SchDoc	



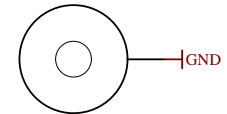
Mount.Hole 3.2mm für Unterlegscheibe



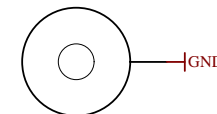
Mount.Hole 3.2mm für Unterlegscheibe



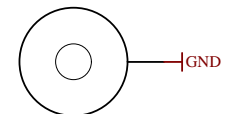
Mount.Hole 3.2mm für Unterlegscheibe



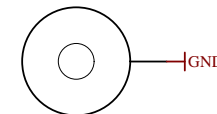
Mount.Hole 3.2mm für Unterlegscheibe



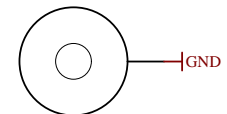
Mount.Hole 3.2mm für Unterlegscheibe



Mount.Hole 3.2mm für Unterlegscheibe



Mount.Hole 3.2mm für Unterlegscheibe



Mount.Hole 3.2mm für Unterlegscheibe

FIDU-DOT - small FIDU-DOT - small



PM1 PM2
FIDU-DOT - small FIDU-DOT - small



PM3 PM4
FIDU-DOT - small FIDU-DOT - small



PM5 PM6

LOGO1

TE Logo PRINT Layer

LOGO PRINT

Serial

Serial

Serialnumber 6,3 x 6.3mm



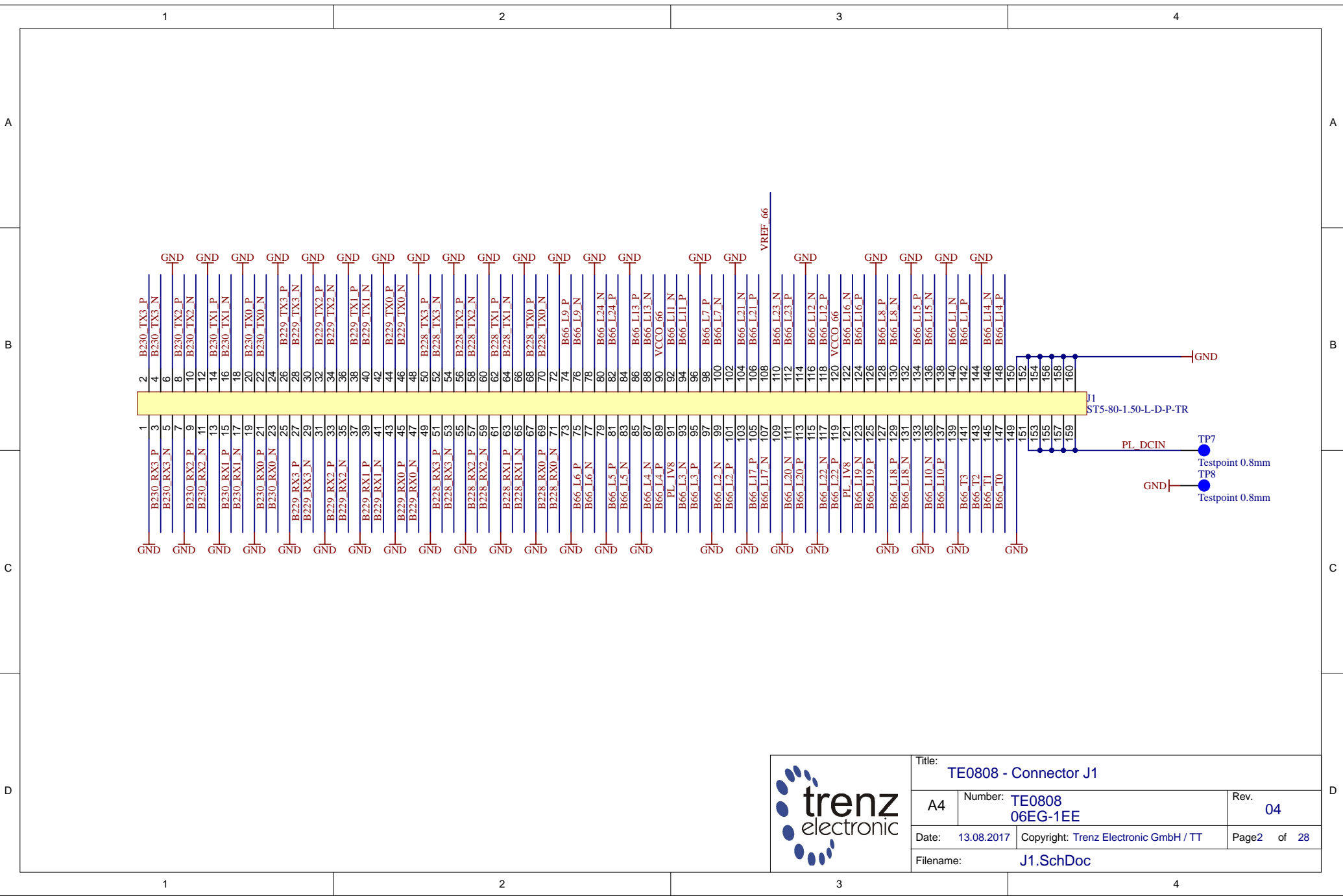
Title: TE0808		
A4	Number: TE0808 06EG-1EE	Rev. 04
Date: 13.08.2017	Copyright: Trenz Electronic GmbH / TT	Page1 of 28
Filename: TE0808.SchDoc		

1

2

3

4



Title: TE0808 - Connector J1		
A4	Number: TE0808 06EG-1EE	Rev. 04
Date: 13.08.2017	Copyright: Trenz Electronic GmbH / TT	Page2 of 28
Filename: J1.SchDoc		

1

2

3

4

A

A

B

B

C

C

D

D

1

2

3

4

1

2

3

4

A

A

B

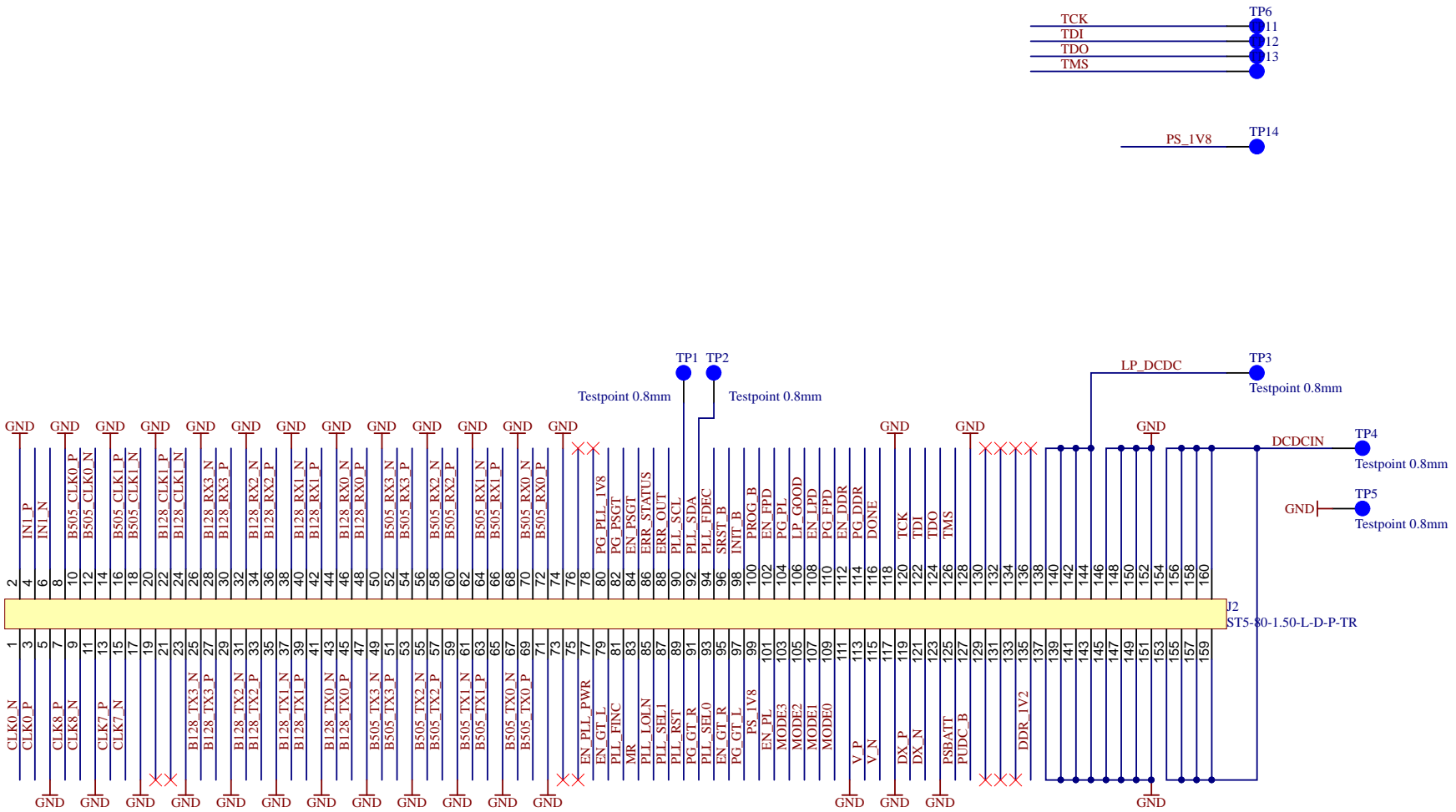
B

C

C

D

D



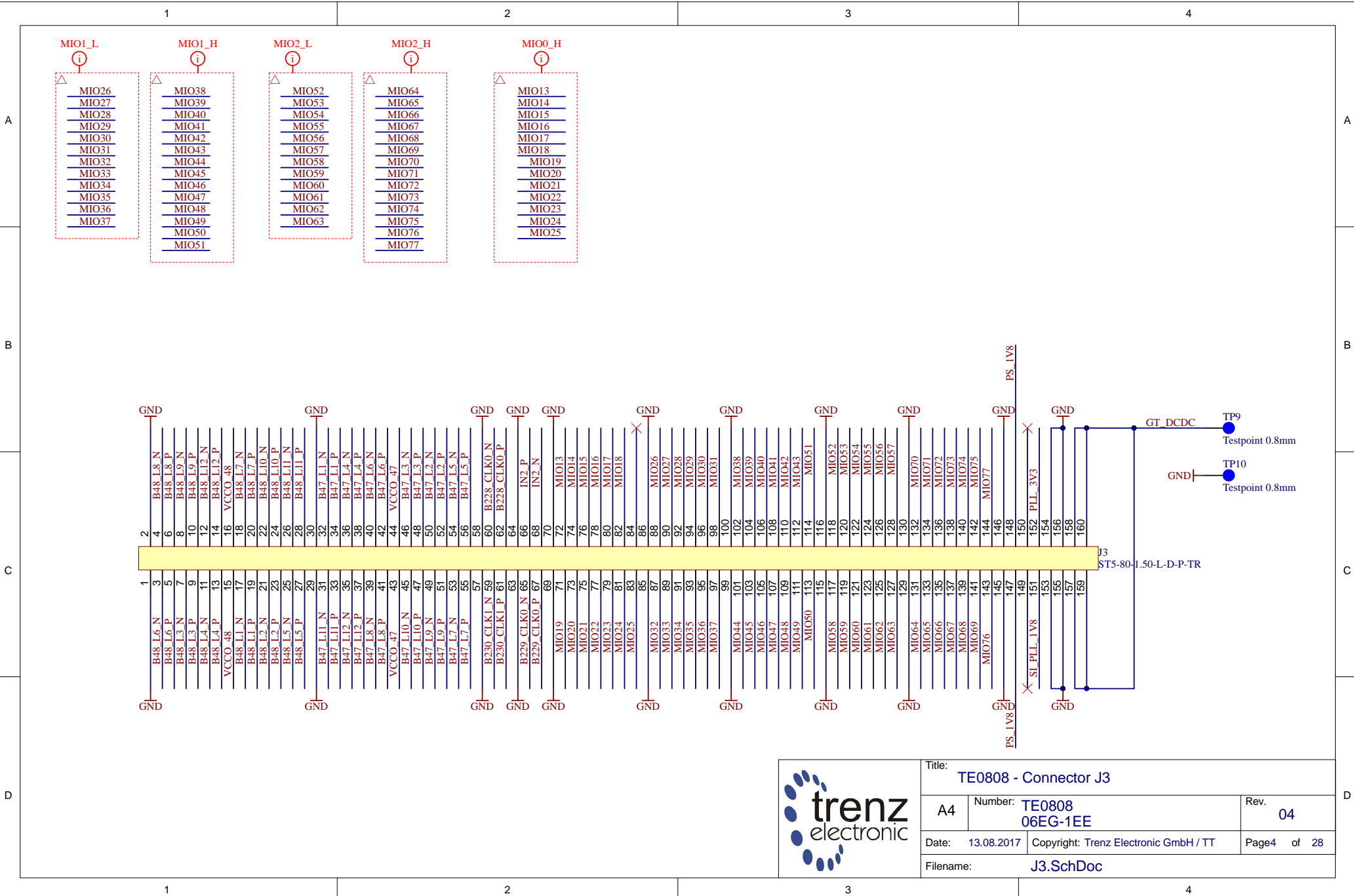
Title: TE0808 - Connector J2		
A4	Number: TE0808 06EG-1EE	Rev. 04
Date: 13.08.2017	Copyright: Trenz Electronic GmbH / TT	Page3 of 28
Filename: J2.SchDoc		

1

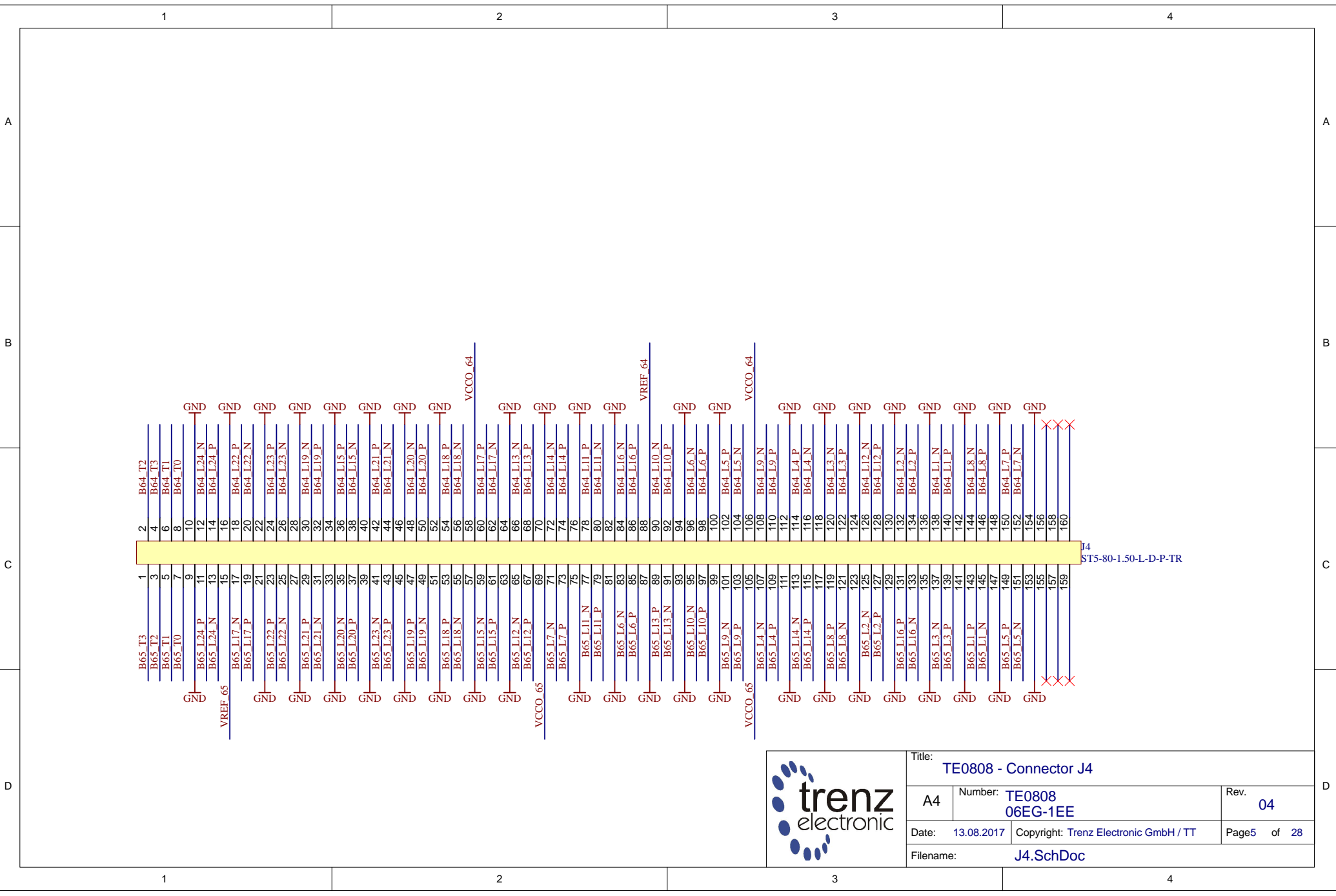
2


3

4

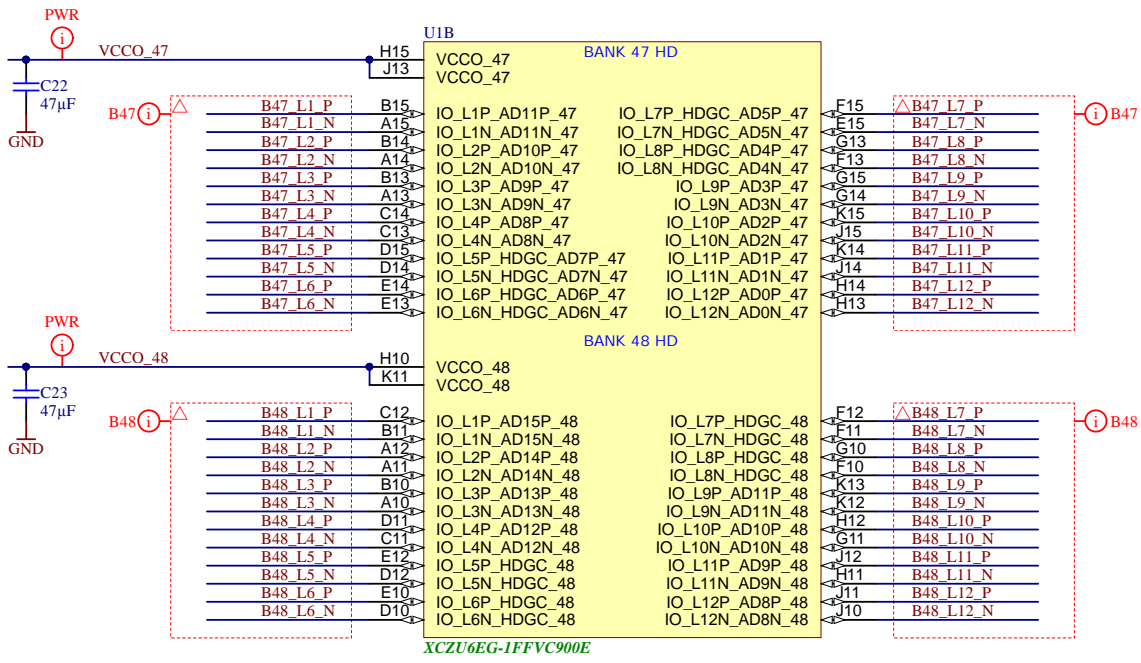


Title: TE0808 - Connector J3		
A4	Number: TE0808 06EG-1EE	Rev. 04
Date: 13.08.2017	Copyright: Trenz Electronic GmbH / TT	Page4 of 28
Filename: J3.SchDoc		



	Title: TE0808 - Connector J4	
	A4	Number: TE0808 06EG-1EE
	Date: 13.08.2017	Copyright: Trenz Electronic GmbH / TT
	Filename: J4.SchDoc	

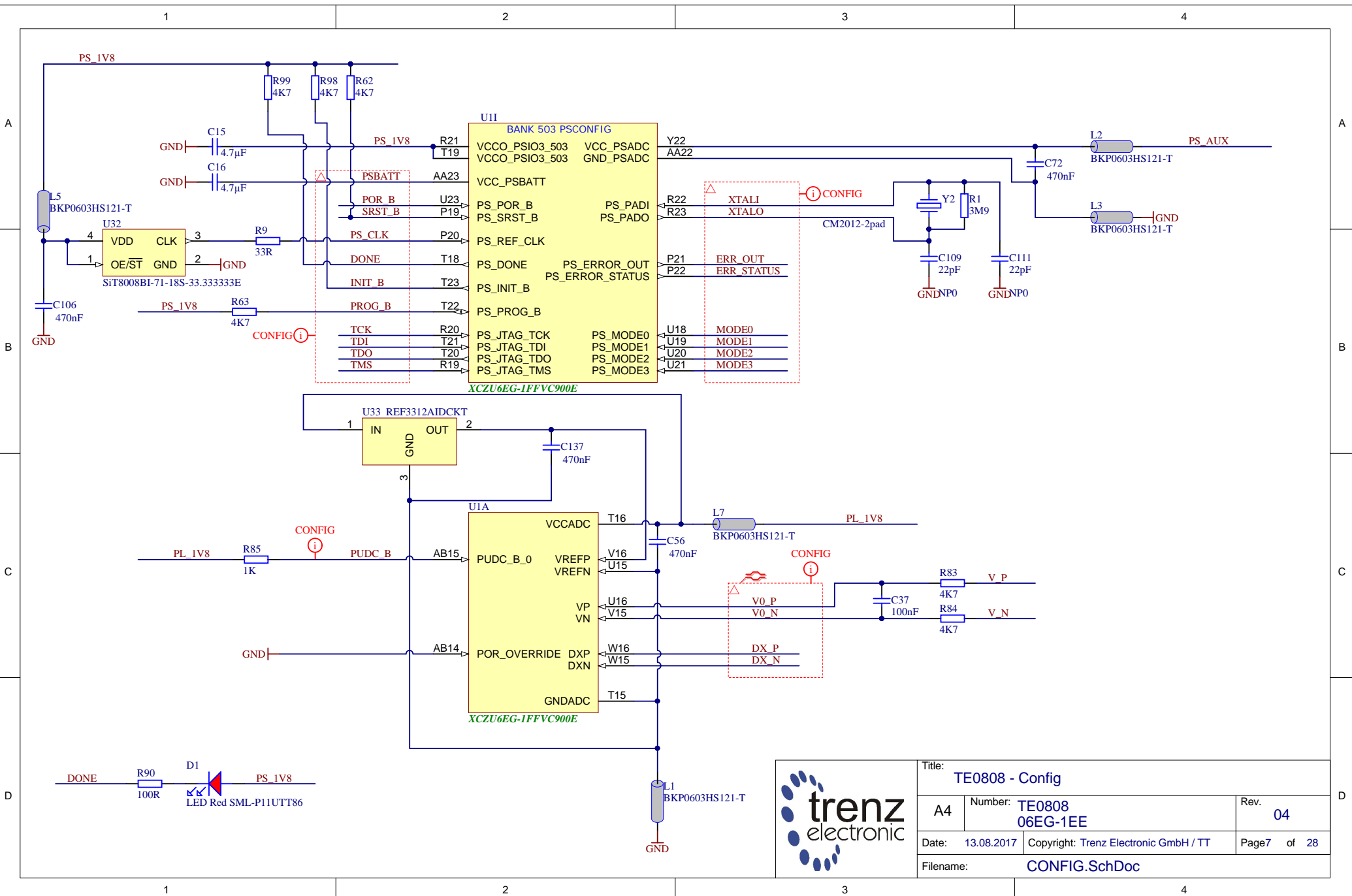
Rev.	04
Page5	of 28



XCZU6EG-1FFVC900E



Title: TE0808 - B47HD and B48HD		
A4	Number: TE0808 06EG-1EE	Rev. 04
Date: 13.08.2017	Copyright: Trenz Electronic GmbH / TT	Page6 of 28
Filename: B_HD.SchDoc		



			Title: TE0808 - Config	
			A4	Number: TE0808 06EG-1EE
Date: 13.08.2017		Copyright: Trenz Electronic GmbH / TT		Page7 of 28
Filename: CONFIG.SchDoc				

1

2

3

4

A

A

B

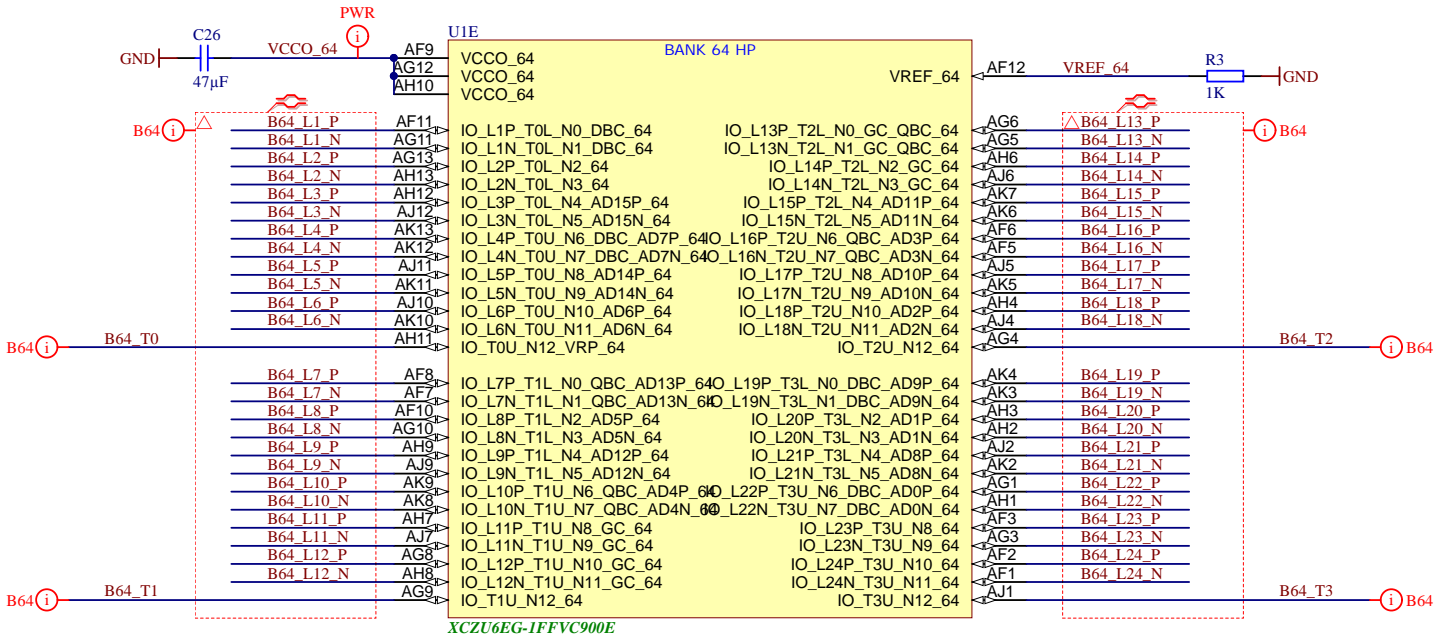
B


C

C

D

D



	Title: TE0808 - B64		
	A4	Number: TE0808 06EG-1EE	Rev. 04
	Date: 13.08.2017	Copyright: Trenz Electronic GmbH / TT	Page8 of 28
	Filename: B64.SchDoc		

1

2

3

4

1

2

3

4

A

A

B

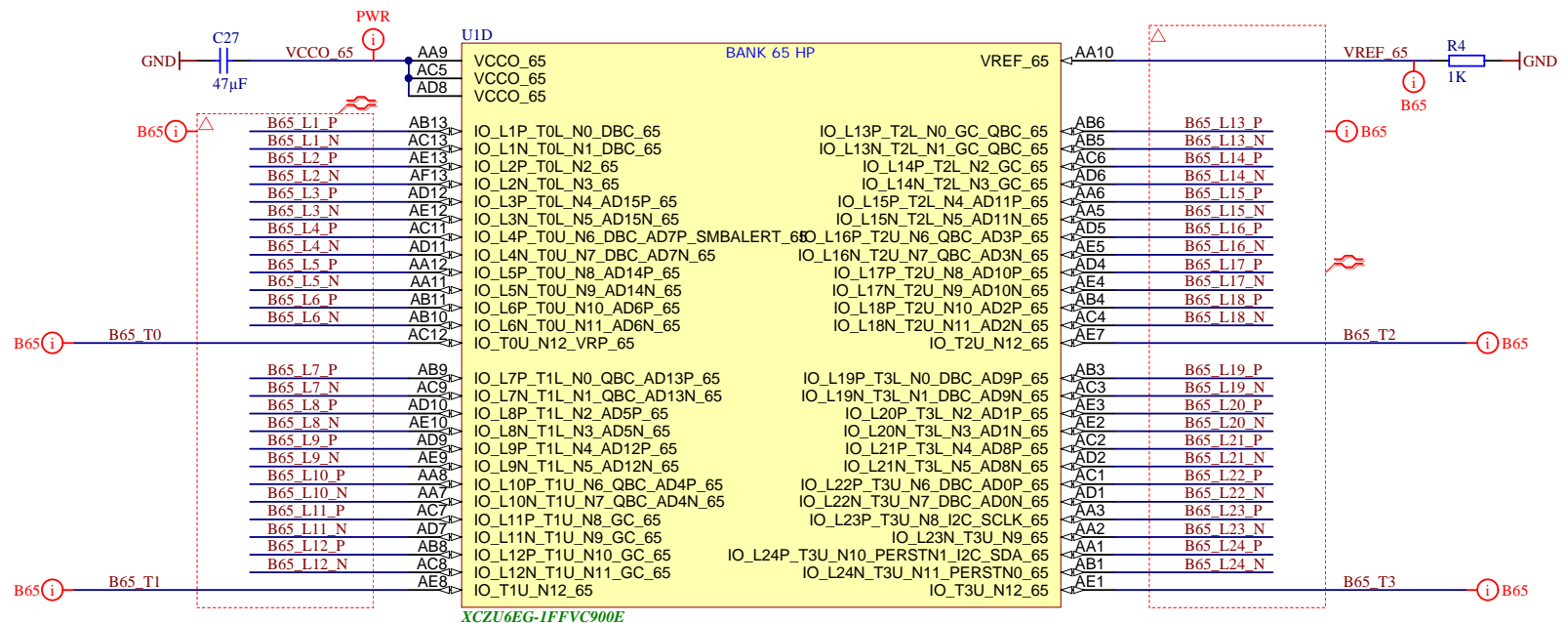

B

C

C

D

D

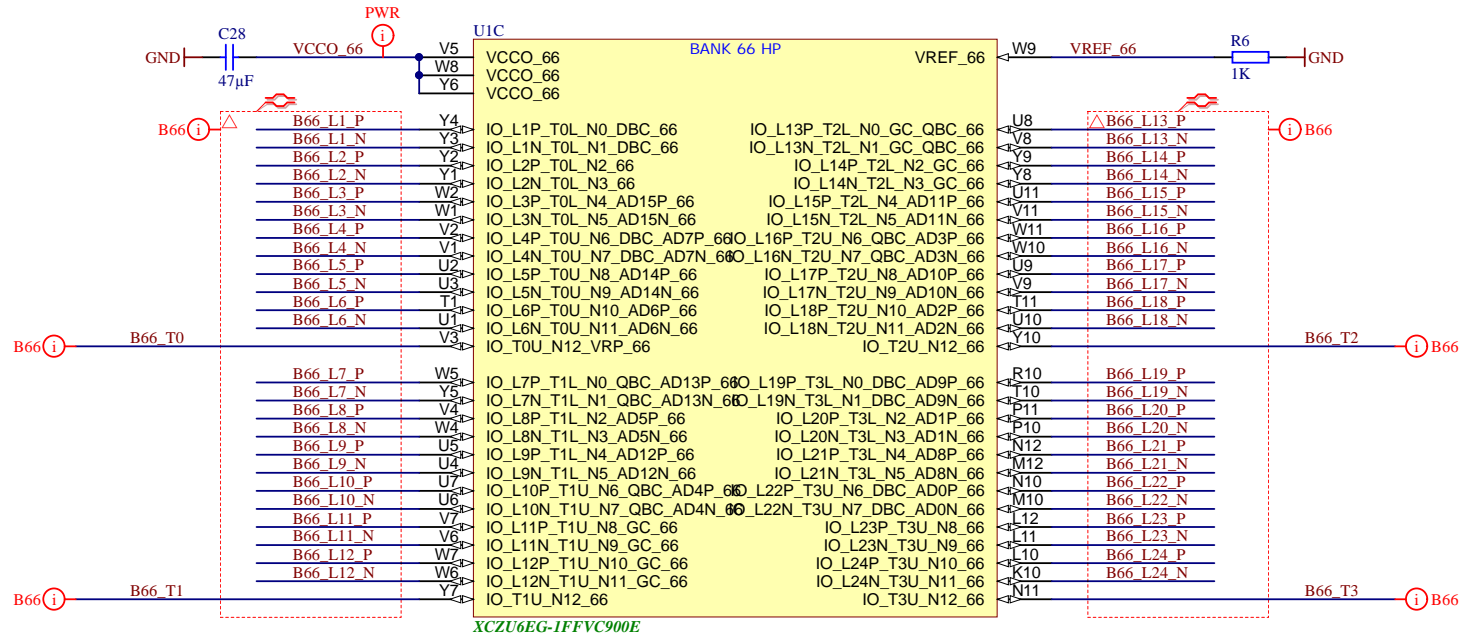
Title: TE0808 - B65		
A4	Number: TE0808 06EG-1EE	Rev. 04
Date: 13.08.2017	Copyright: Trenz Electronic GmbH / TT	Page 9 of 28
Filename: B65.SchDoc		

1

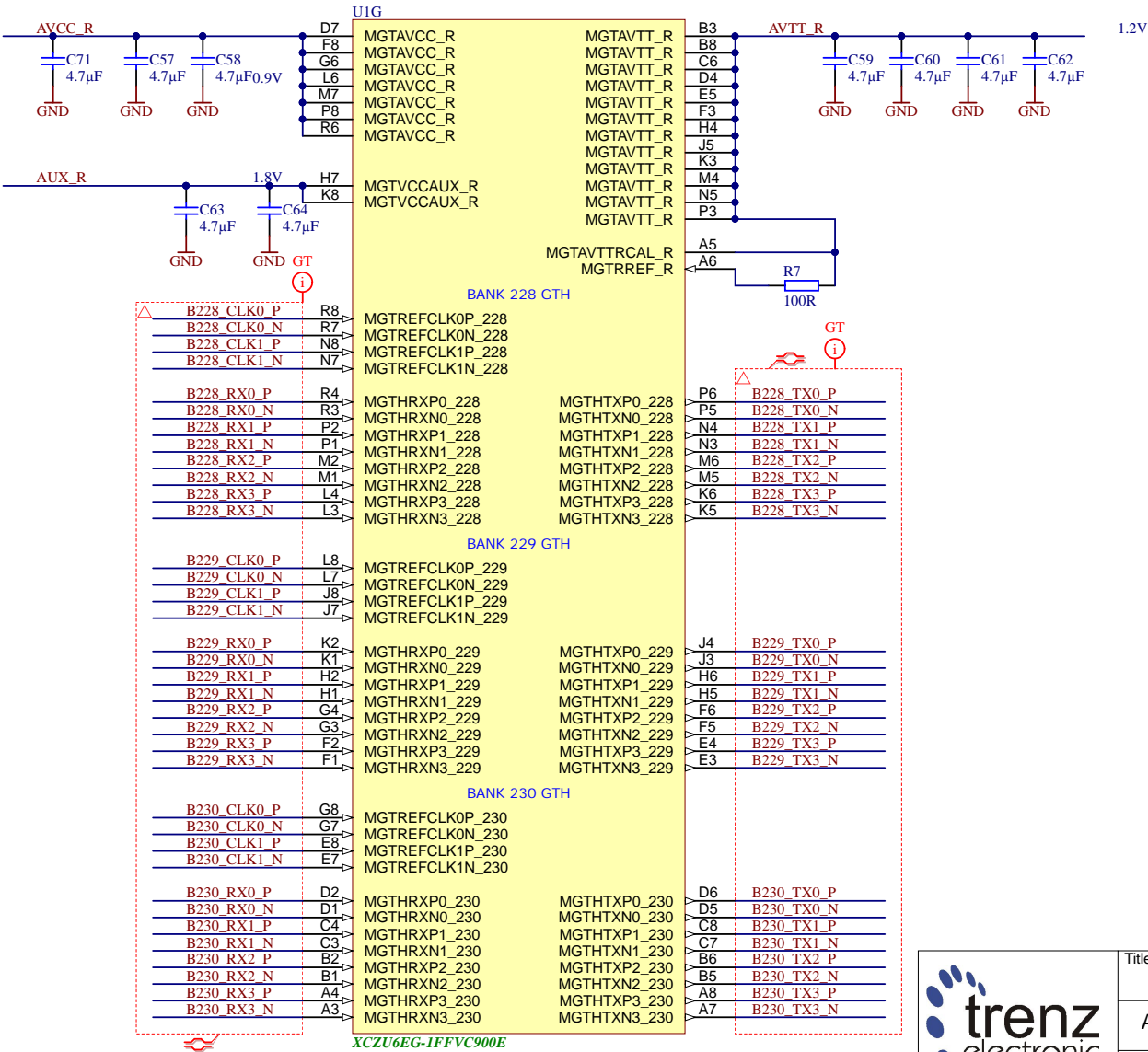
2

3

4



Title: TE0808 - B66		
A4	Number: TE0808 06EG-1EE	Rev. 04
Date: 13.08.2017	Copyright: Trenz Electronic GmbH / TT	Page 10 of 28
Filename: B66.SchDoc		



XZU6EG-1FFVC900E



Title: TE0808 - B228GTH_B229GTH_B230GTH		
A4	Number: TE0808 06EG-1EE	Rev. 04
Date: 13.08.2017	Copyright: Trenz Electronic GmbH / TT	Page 11 of 28
Filename: B_GT.SchDoc		

1

2

3

4

A

A

B

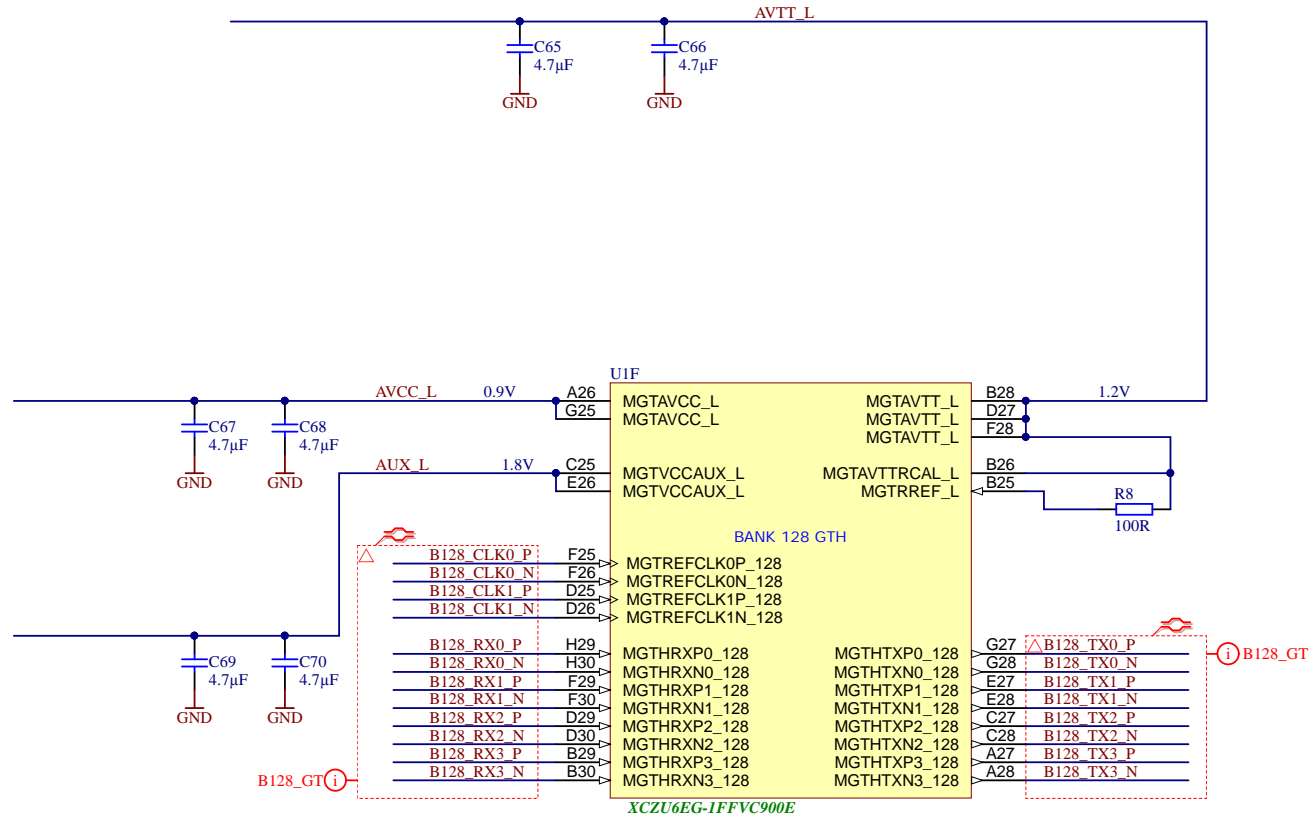
B

C

C

D

D



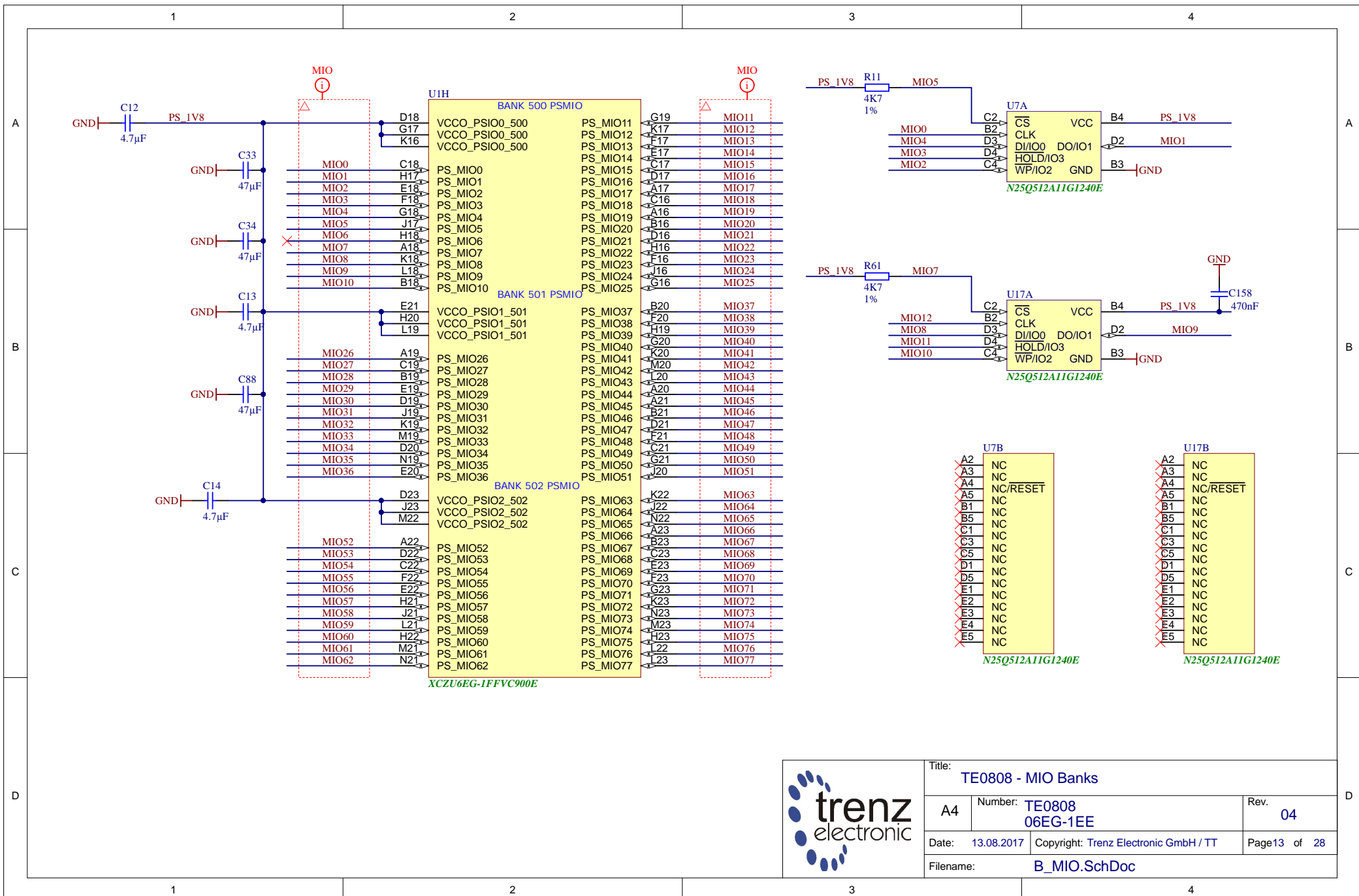
	Title: TE0808 - B128GTH		
	A4	Number: TE0808 06EG-1EE	Rev. 04
	Date: 13.08.2017	Copyright: Trenz Electronic GmbH / TT	Page 12 of 28
	Filename: B_GT_2.SchDoc		

1

2

3

4



trenz electronic

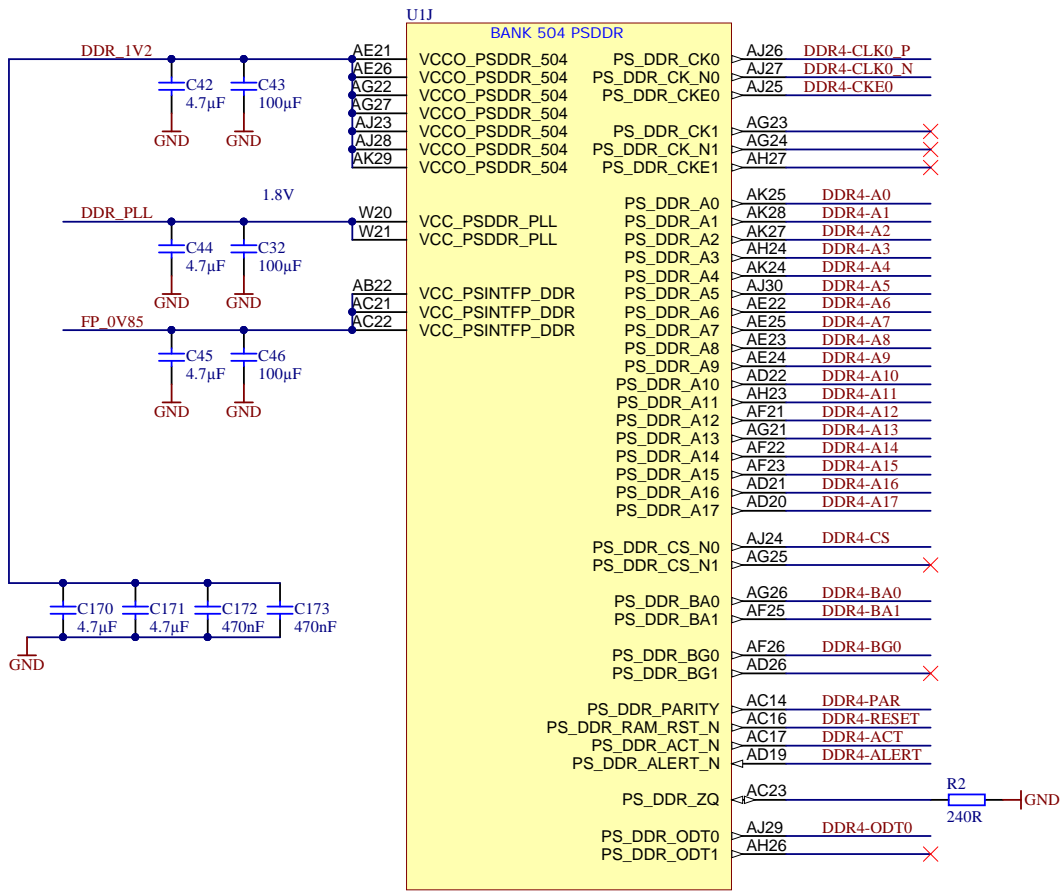
Title: TE0808 - MIO Banks		
A4	Number: TE0808 06EG-1EE	Rev. 04
Date: 13.08.2017	Copyright: Trenz Electronic GmbH / TT	Page13 of 28
Filename: B_MIO.SchDoc		

1

2

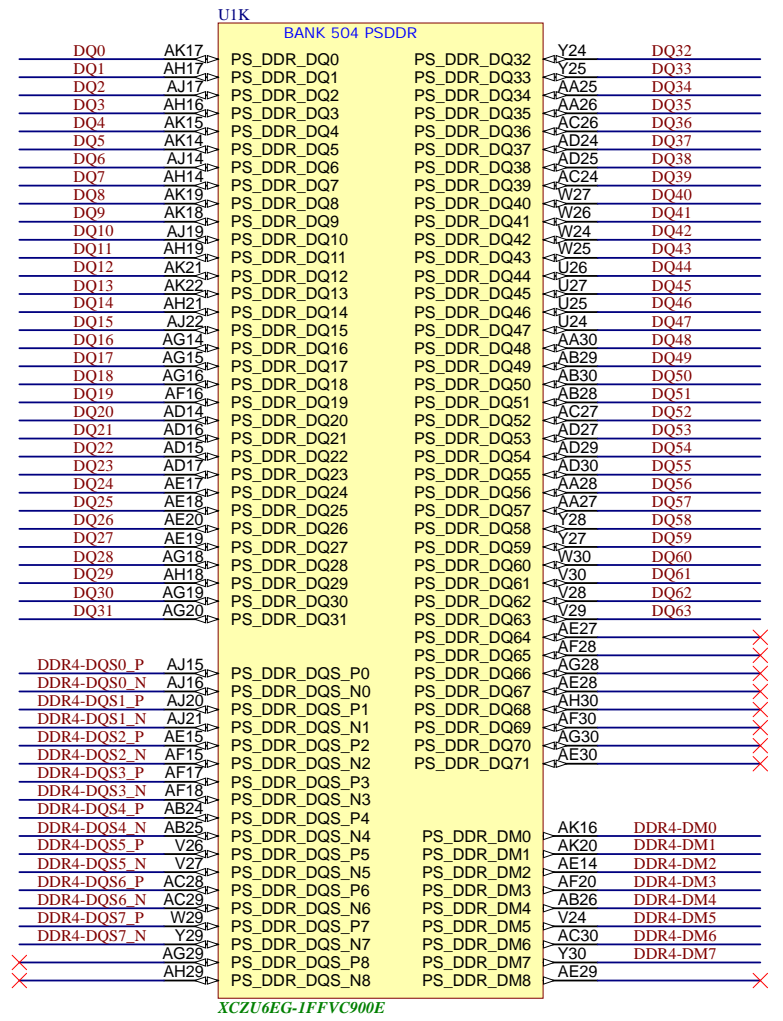
3

4



UIJ BANK 504 PSDDR		UIK BANK 504 PSDDR	
VCCO_PSDDR_504	PS_DDR_CK0	AJ26	DDR4-CLK0_P
VCCO_PSDDR_504	PS_DDR_CK_N0	AJ27	DDR4-CLK0_N
VCCO_PSDDR_504	PS_DDR_CKE0	AJ25	DDR4-CKE0
VCCO_PSDDR_504		AG23	
VCCO_PSDDR_504	PS_DDR_CK1	AG24	
VCCO_PSDDR_504	PS_DDR_CK_N1	AH27	
VCCO_PSDDR_504		AH27	
		AK25	DDR4-A0
	PS_DDR_A0	AK28	DDR4-A1
VCC_PSDDR_PLL	PS_DDR_A1	AK27	DDR4-A2
VCC_PSDDR_PLL	PS_DDR_A2	AH24	DDR4-A3
	PS_DDR_A3	AK24	DDR4-A4
VCC_PSINTFP_DDR	PS_DDR_A4	AJ30	DDR4-A5
VCC_PSINTFP_DDR	PS_DDR_A5	AE22	DDR4-A6
VCC_PSINTFP_DDR	PS_DDR_A6	AE25	DDR4-A7
	PS_DDR_A7	AE23	DDR4-A8
	PS_DDR_A8	AE24	DDR4-A9
	PS_DDR_A9	AD22	DDR4-A10
	PS_DDR_A10	AH23	DDR4-A11
	PS_DDR_A11	AF21	DDR4-A12
	PS_DDR_A12	AG21	DDR4-A13
	PS_DDR_A13	AF22	DDR4-A14
	PS_DDR_A14	AF23	DDR4-A15
	PS_DDR_A15	AD21	DDR4-A16
	PS_DDR_A16	AD20	DDR4-A17
	PS_DDR_A17		
	PS_DDR_CS_N0	AJ24	DDR4-CS
	PS_DDR_CS_N1	AG25	
		AG26	DDR4-BA0
	PS_DDR_BA0	AF25	DDR4-BA1
	PS_DDR_BA1		
	PS_DDR_BG0	AF26	DDR4-BG0
	PS_DDR_BG1	AD26	
		AC14	DDR4-PAR
	PS_DDR_PARITY	AC16	DDR4-RESET
	PS_DDR_RAM_RST_N	AC17	DDR4-ACT
	PS_DDR_ACT_N	AD19	DDR4-ALERT
	PS_DDR_ALERT_N		
	PS_DDR_ZQ	AC23	
		AJ29	DDR4-ODT0
	PS_DDR_ODT0	AH26	
	PS_DDR_ODT1		

XCZU6EG-1FFVC900E



XCZU6EG-1FFVC900E



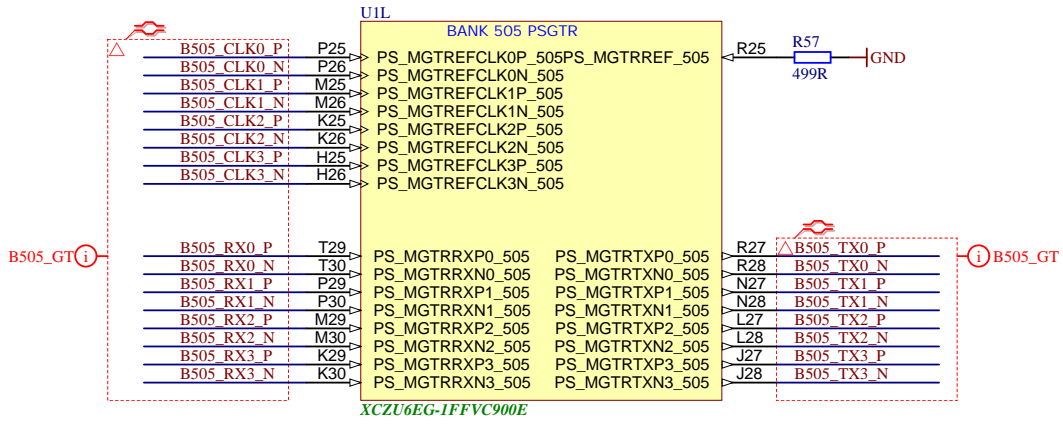
Title: TE0808 - PS_DDR			
A4	Number: TE0808 06EG-1EE	Rev. 04	
Date: 13.08.2017	Copyright: Trenz Electronic GmbH / TT	Page 14 of 28	
Filename: PS_DDR.SchDoc			

1

2

3

4



	Title: TE0808 - PS_GT		
	A4	Number: TE0808 06EG-1EE	Rev. 04
	Date: 13.08.2017	Copyright: Trenz Electronic GmbH / TT	Page 15 of 28
	Filename: B_PS_GT.SchDoc		

1

2

3

4

A

A

B

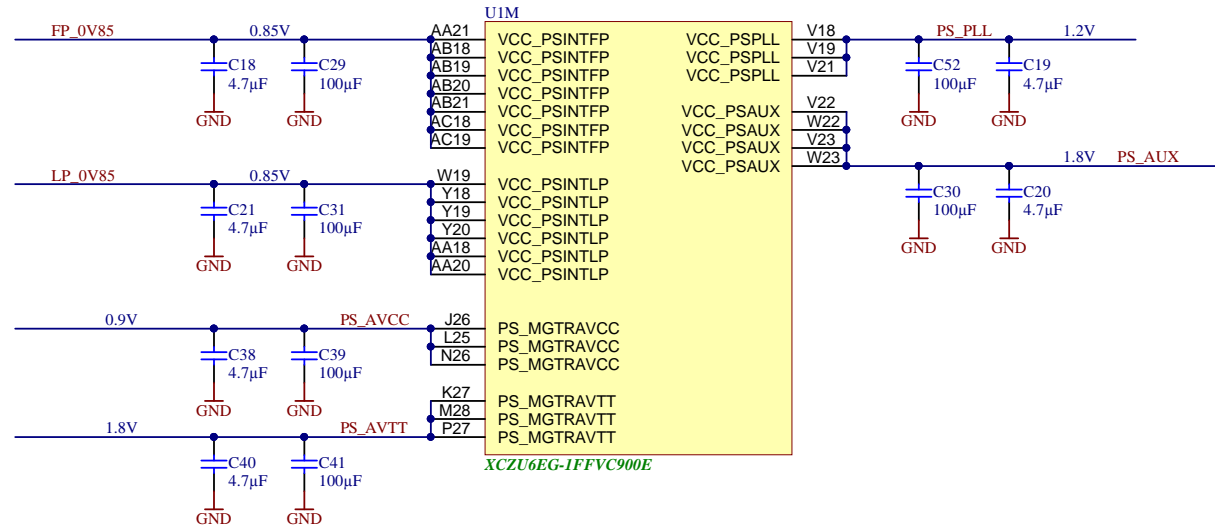
B


C

C

D

D



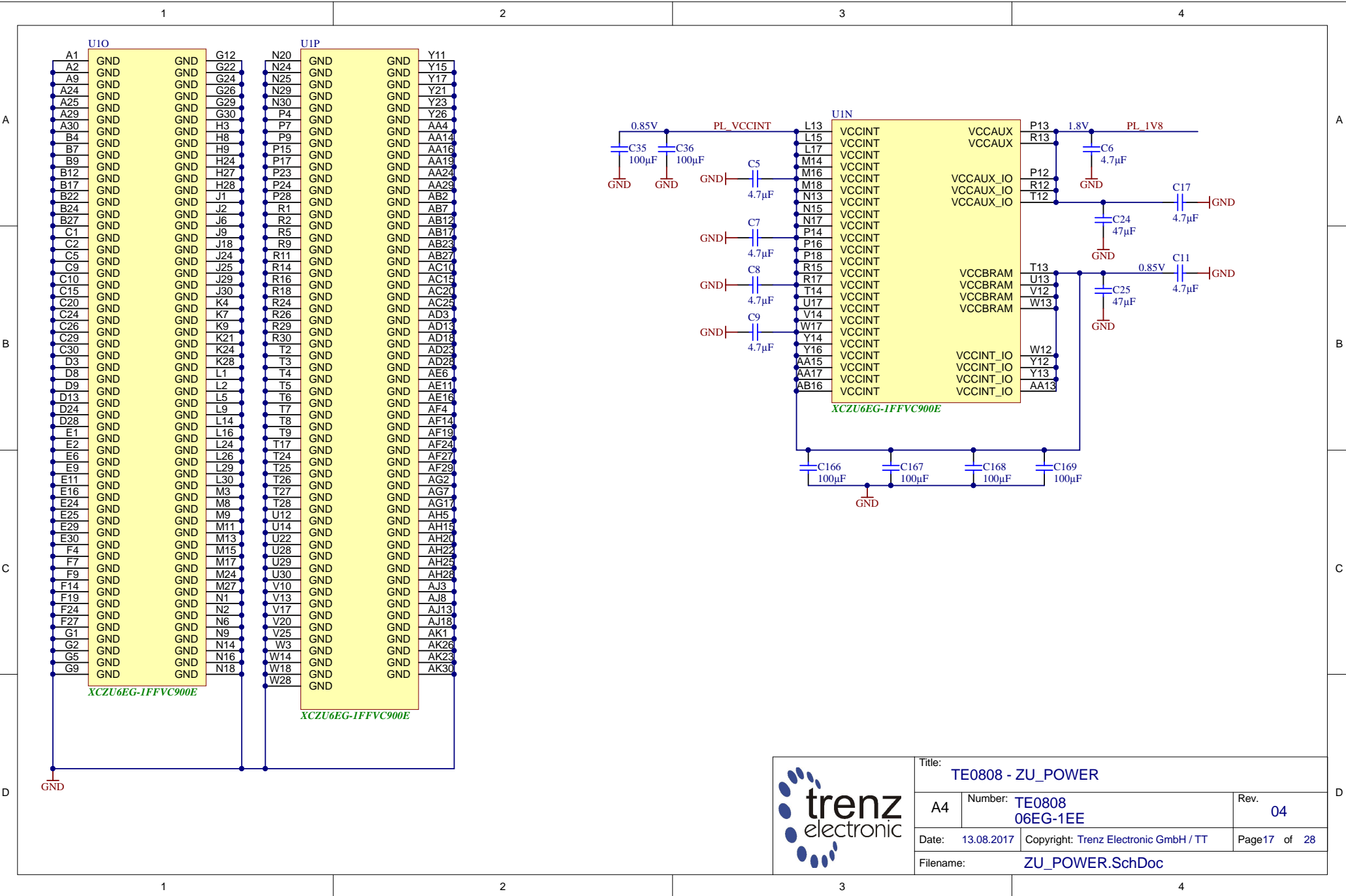
	Title: TE0808 - ZU_PS_POWER		
	A4	Number: TE0808 06EG-1EE	Rev. 04
	Date: 13.08.2017	Copyright: Trenz Electronic GmbH / TT	Page 16 of 28
	Filename: ZU_PS_POWER.SchDoc		

1

2

3

4



Title: TE0808 - ZU_POWER		
A4	Number: TE0808 06EG-1EE	Rev. 04
Date: 13.08.2017	Copyright: Trenz Electronic GmbH / TT	Page 17 of 28
Filename: ZU_POWER.SchDoc		

1

2

3

4

A

A

B

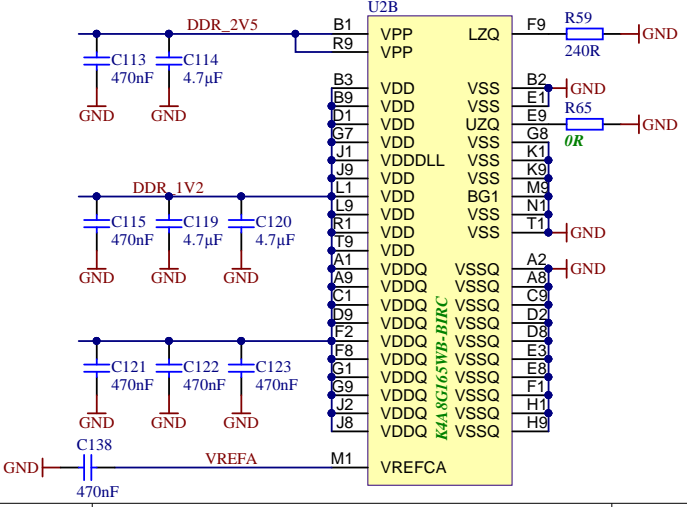
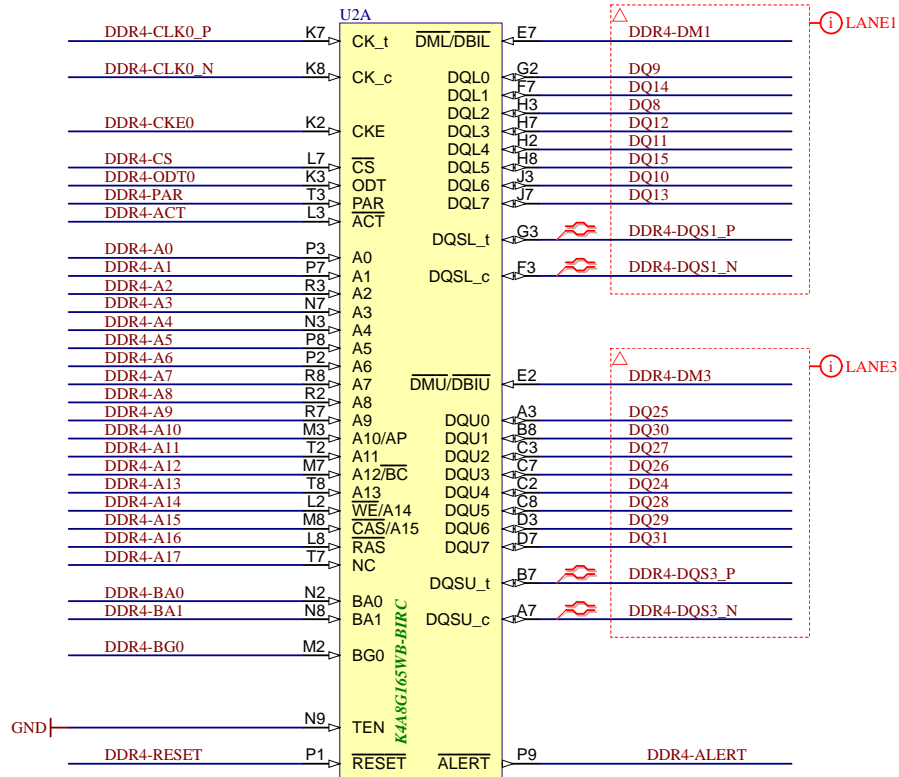
B

C

C

D

D



Title: TE0808 - DDR4_1_RAM		
A4	Number: TE0808 06EG-1EE	Rev. 04
Date: 13.08.2017	Copyright: Trenz Electronic GmbH / TT	Page18 of 28
Filename: DDR4-RAM.SchDoc		

1

2

3

4

1

2

3

4

A

A

B

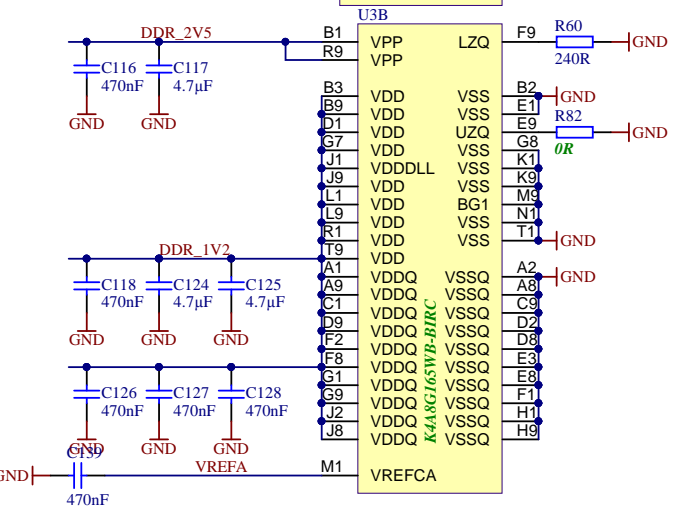
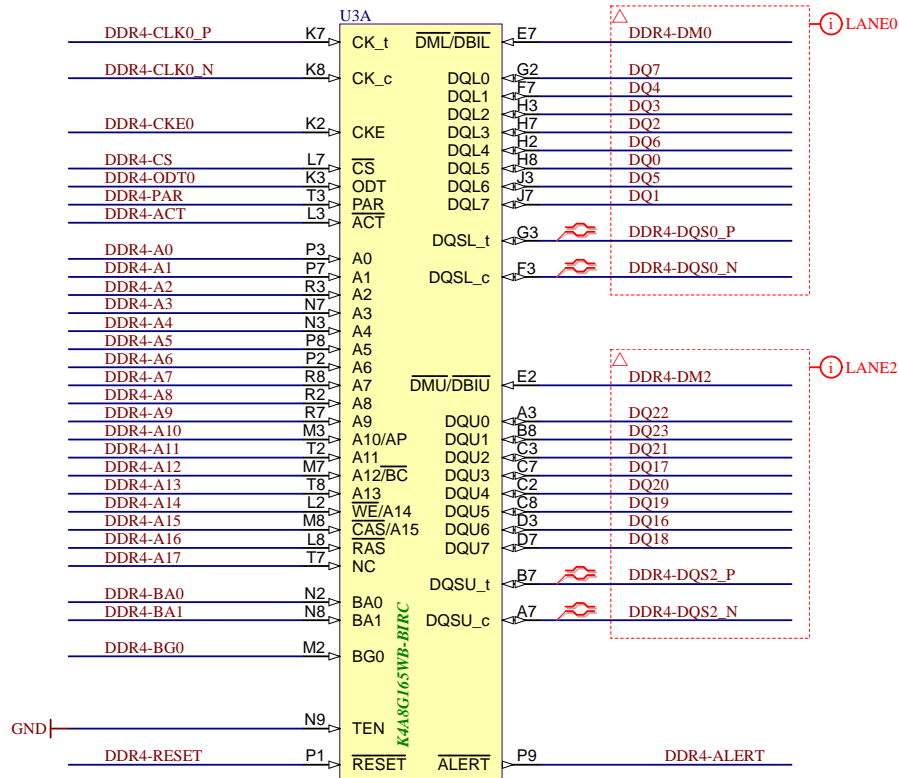
B

C

C

D

D



Title: TE0808 - DDR4_2_RAM		
A4	Number: TE0808 06EG-1EE	Rev. 04
Date: 13.08.2017	Copyright: Trenz Electronic GmbH / TT	Page 19 of 28
Filename: DDR4-RAM_2.SchDoc		

1

2

3

4

1

2

3

4

A

A

B

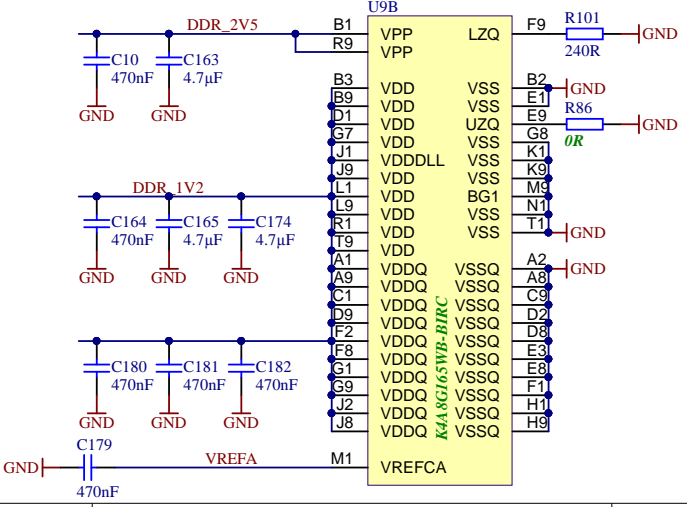
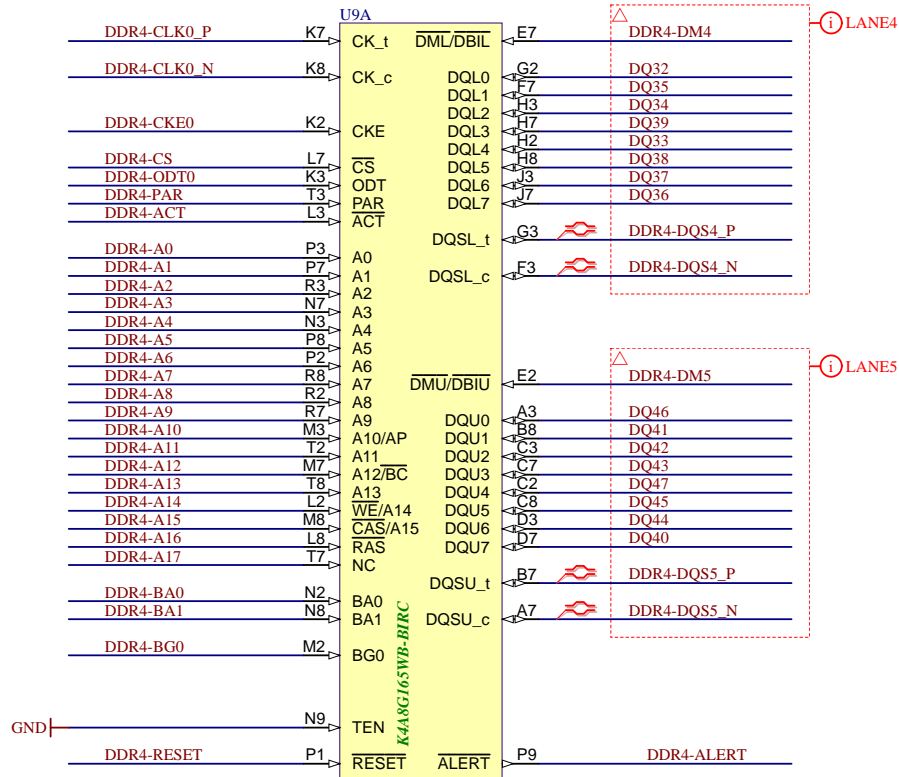
B

C

C

D

D



Title: TE0808 - DDR4_3_RAM		
A4	Number: TE0808 06EG-1EE	Rev. 04
Date: 13.08.2017	Copyright: Trenz Electronic GmbH / TT	Page20 of 28
Filename: DDR4-RAM_3.SchDoc		

1

2

3

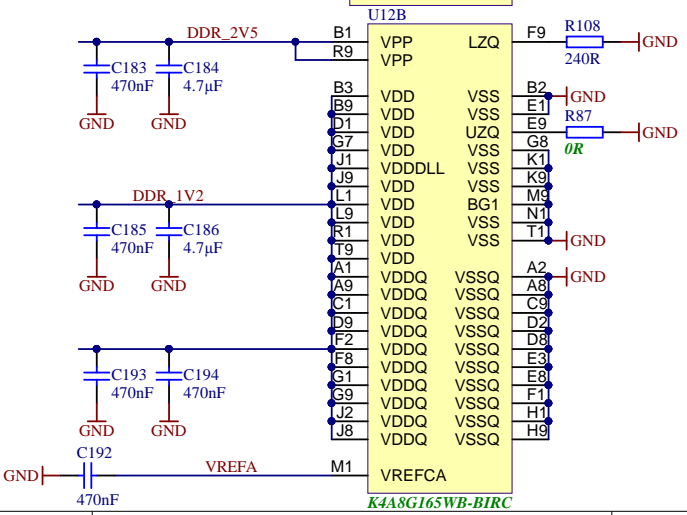
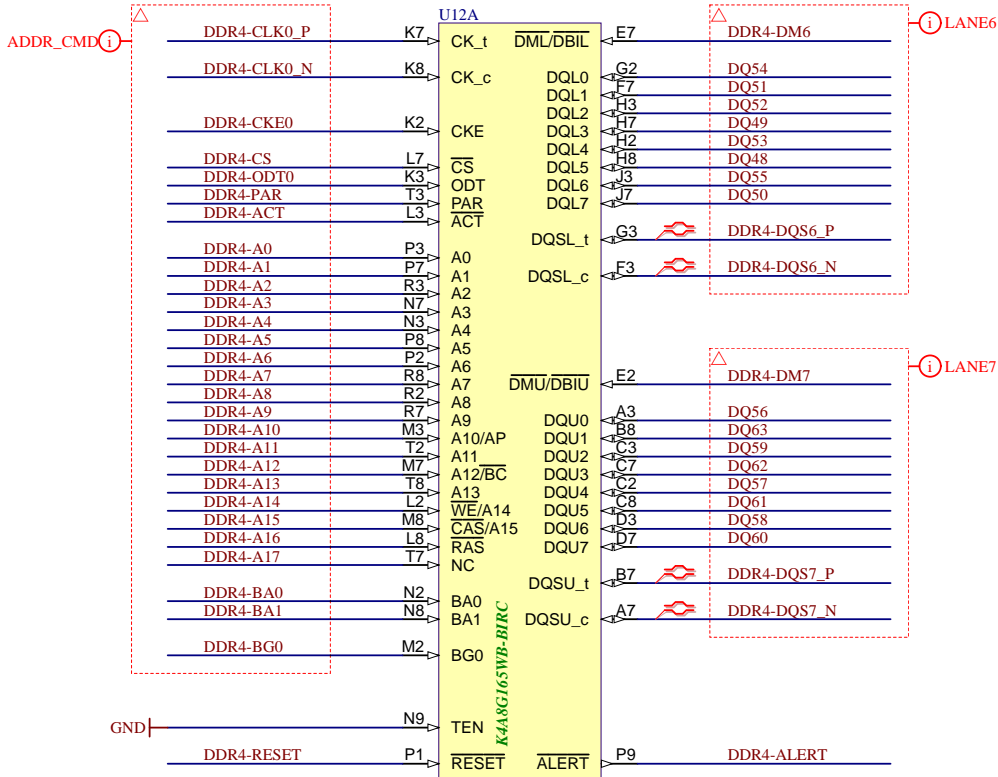
4

1

2

3

4



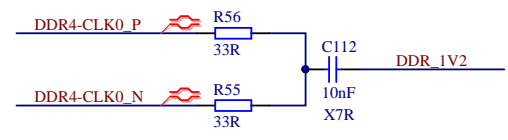
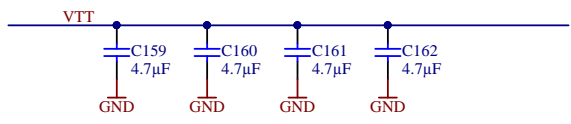
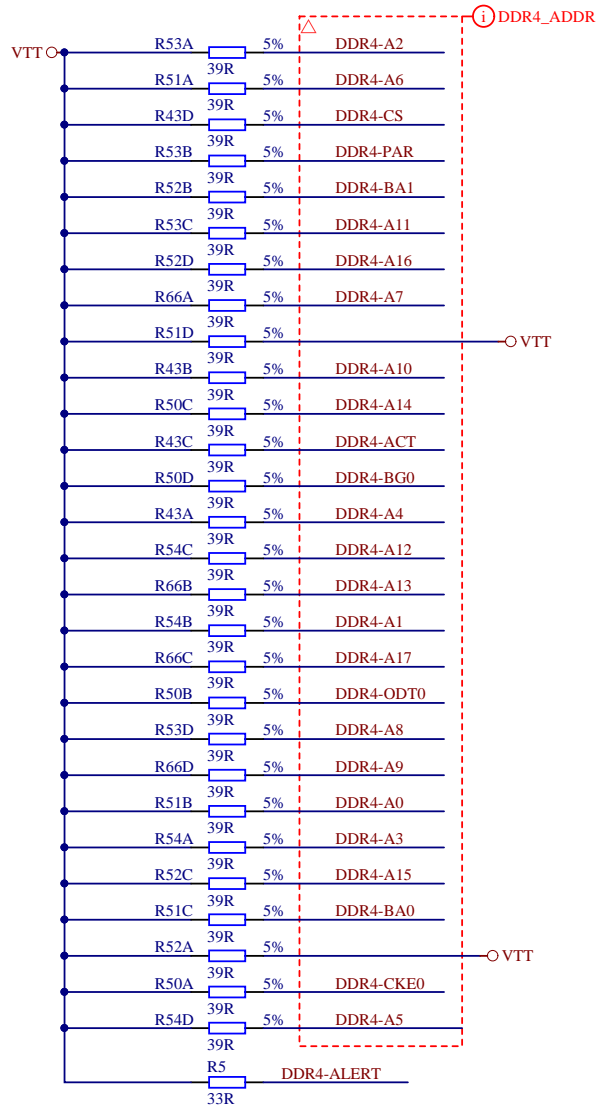

Title: TE0808 - DDR4_4_RAM		
A4	Number: TE0808 06EG-1EE	Rev. 04
Date: 13.08.2017	Copyright: Trenz Electronic GmbH / TT	Page21 of 28
Filename: DDR4-RAM_4.SchDoc		

1

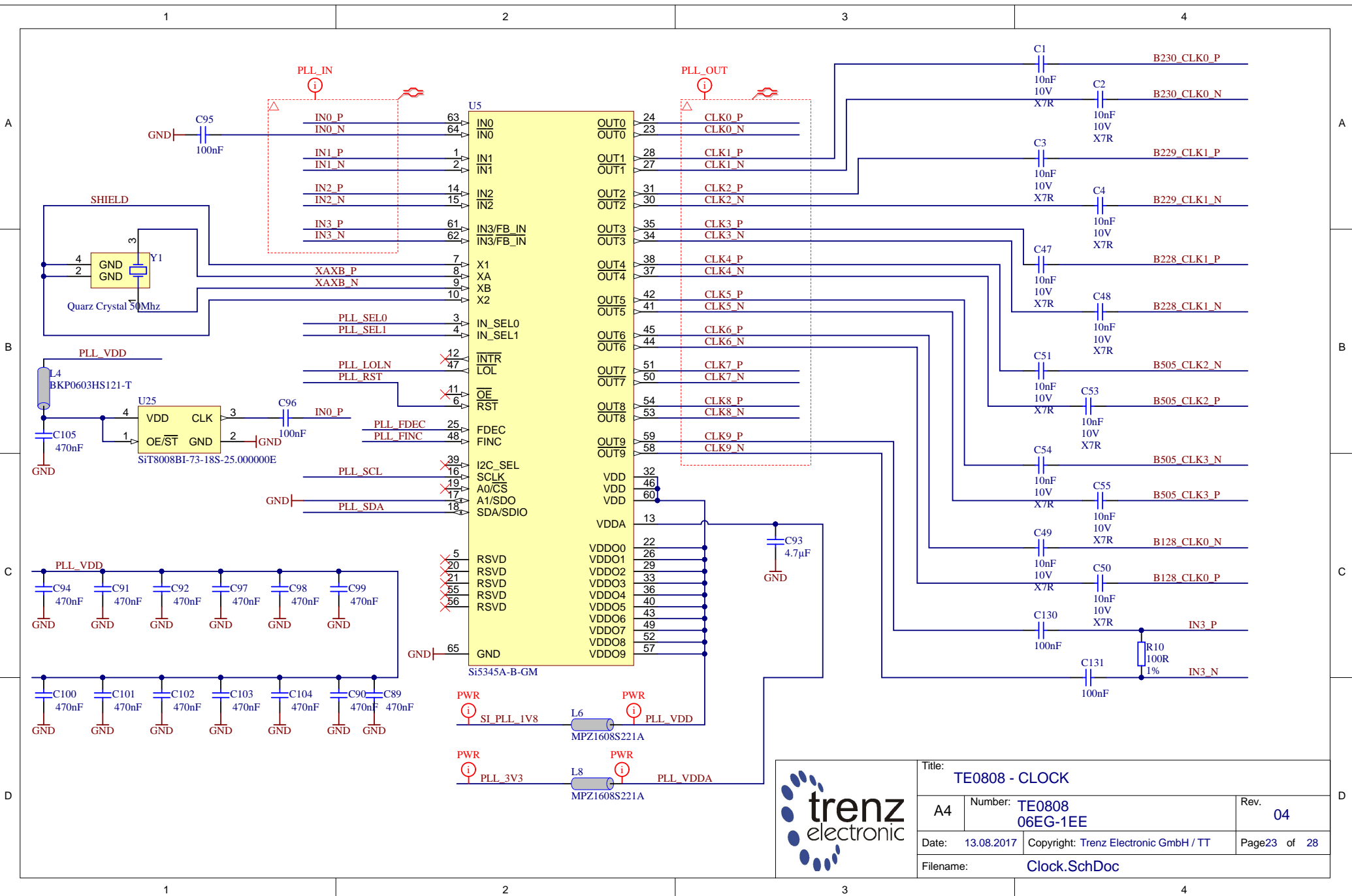
2

3

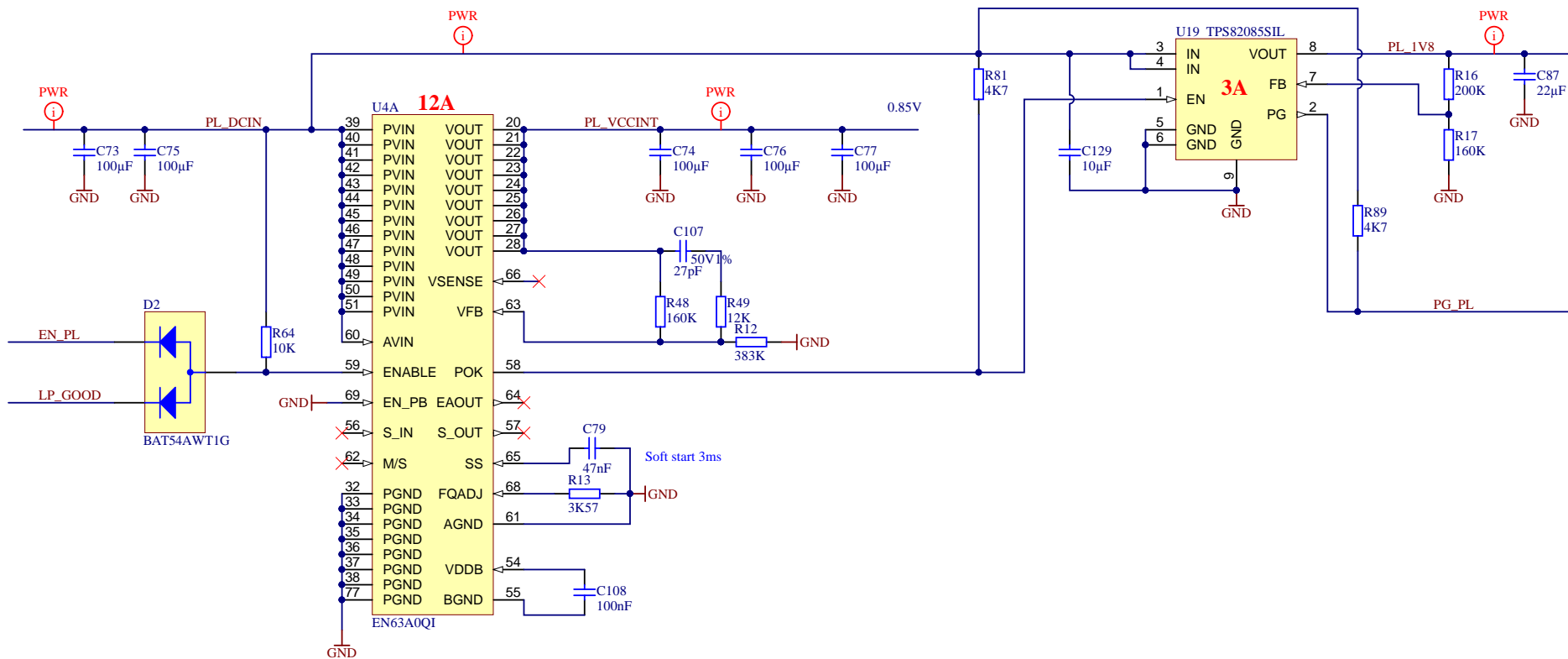
4

Title: TE0808 - DDR4_TERM		
A4	Number: TE0808 06EG-1EE	Rev. 04
Date: 13.08.2017	Copyright: Trenz Electronic GmbH / TT	Page22 of 28
Filename: DDR4-TERM.SchDoc		



Title: TE0808 - CLOCK		
A4	Number: TE0808 06EG-1EE	Rev. 04
Date: 13.08.2017	Copyright: Trenz Electronic GmbH / TT	Page23 of 28
Filename: Clock.SchDoc		



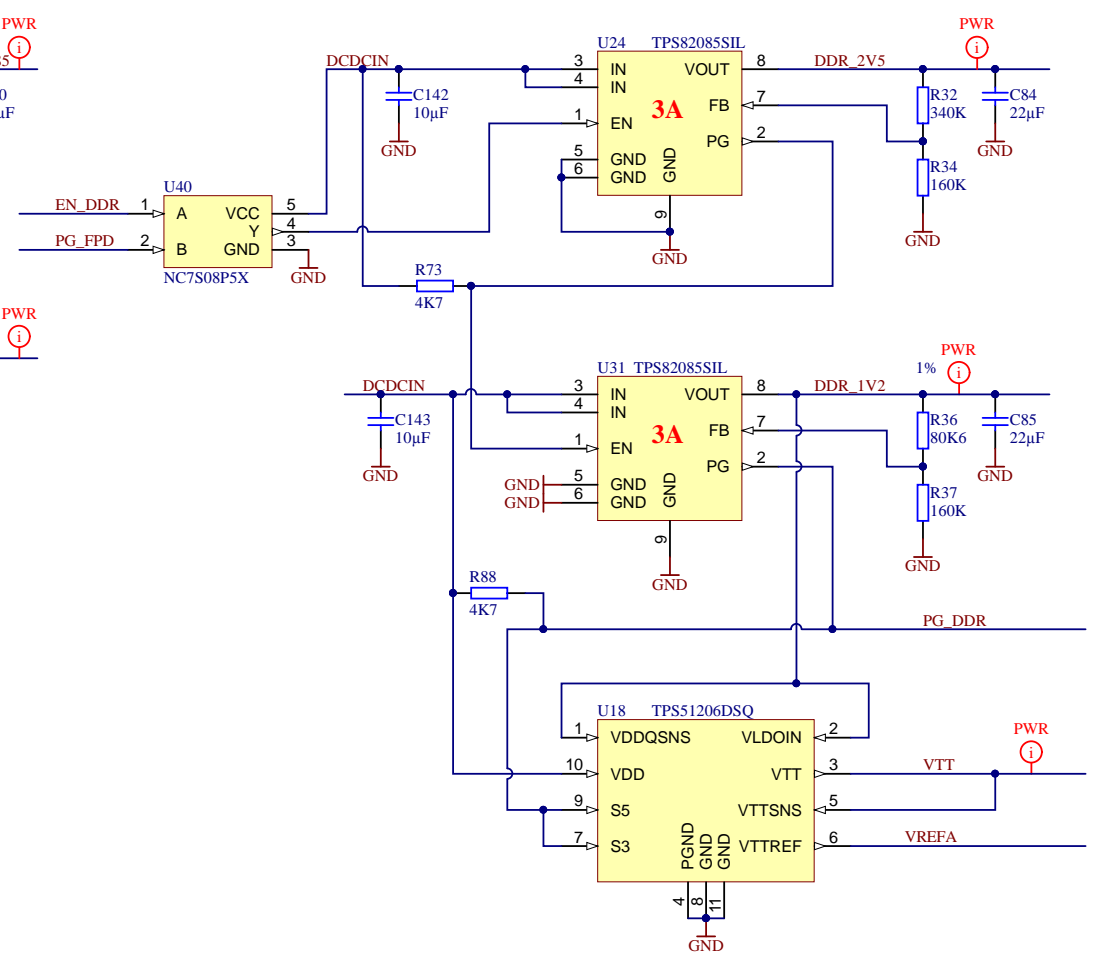
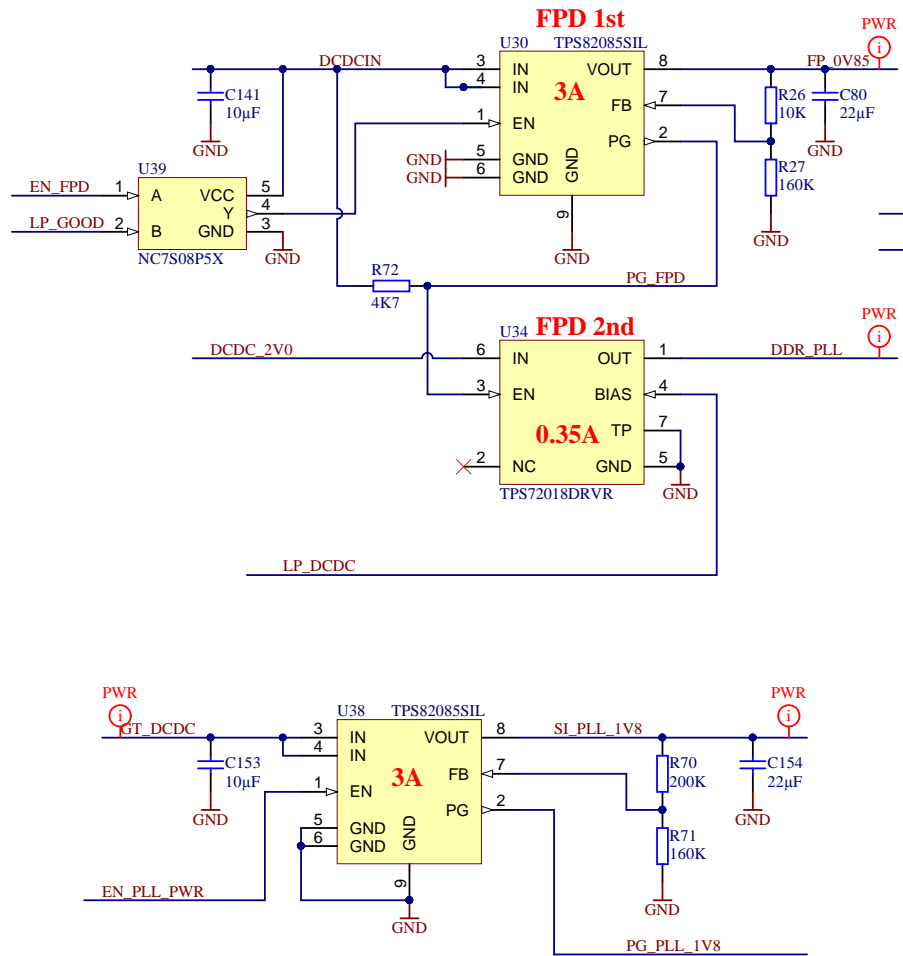
U4B


1	NC	NC	17
2	NC	NC	18
3	NC	NC	19
4	NC	NC	29
5	NC	NC	30
6	NC	NC(SW)	31
7	NC	NC(SW)	52
8	NC	NC	53
9	NC	NC	67
10	NC	NC(SW)	70
11	NC	NC(SW)	71
12	NC	NC(SW)	72
13	NC	NC	73
14	NC	NC	74
15	NC	NC	75
16	NC	NC	76

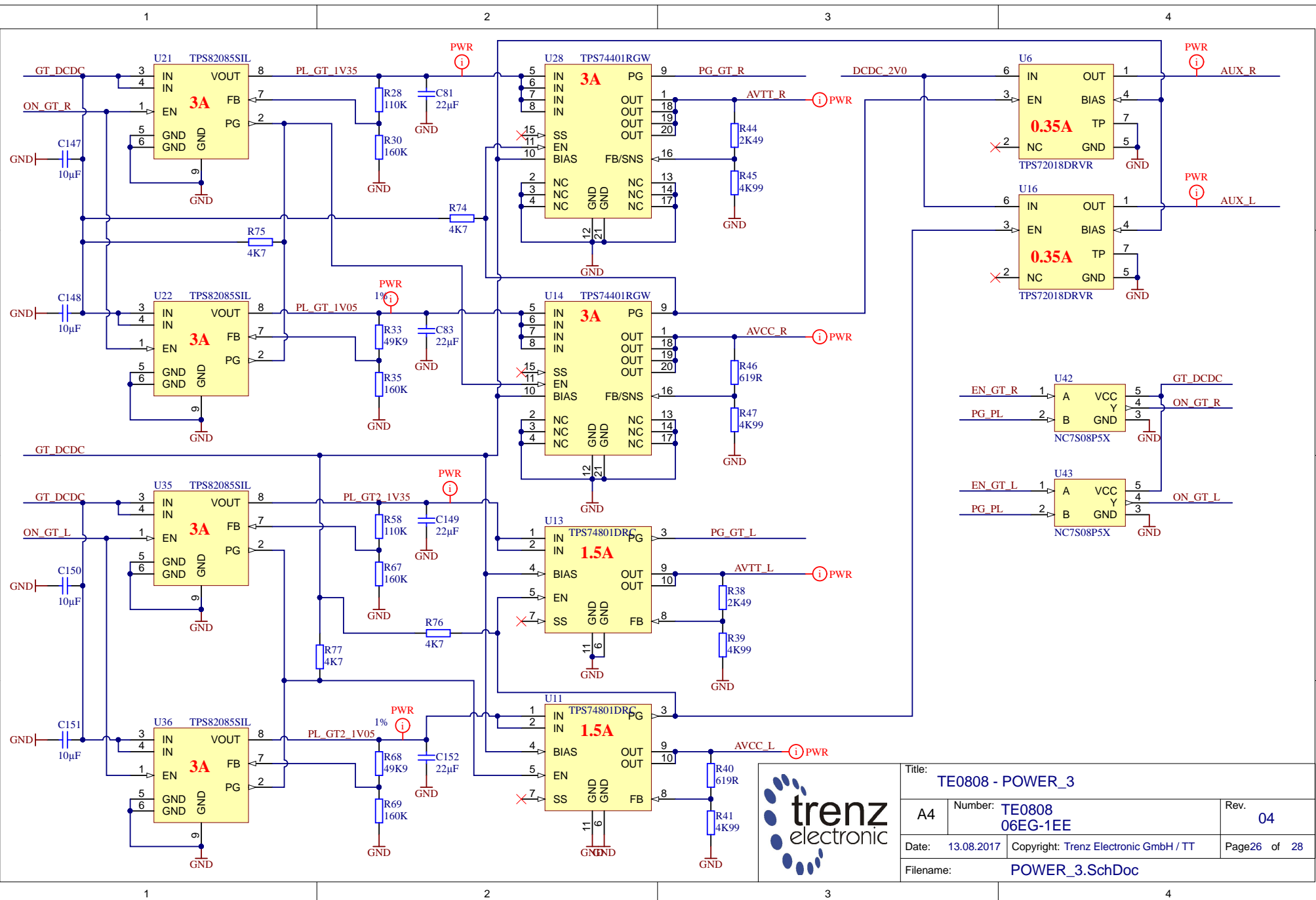
EN63A0QI



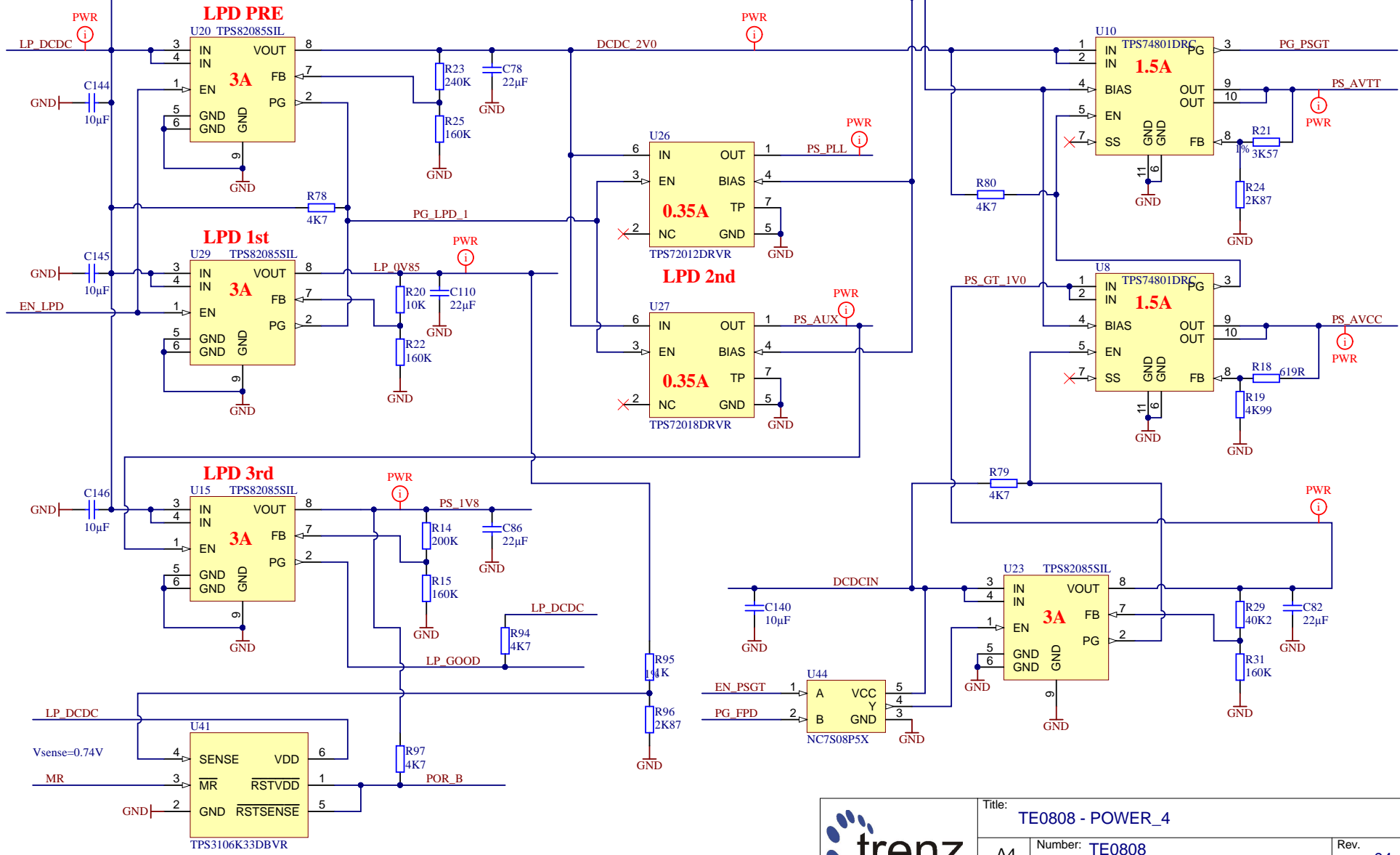
Title: TE0808 - POWER		
A4	Number: TE0808 06EG-1EE	Rev. 04
Date: 13.08.2017	Copyright: Trenz Electronic GmbH / TT	Page24 of 28
Filename: POWER.SchDoc		




			Title: TE0808 - POWER_2	
			A4	Number: TE0808 06EG-1EE
Date: 13.08.2017		Copyright: Trenz Electronic GmbH / TT		Page25 of 28
Filename: POWER_2.SchDoc				



Title: TE0808 - POWER_3		
A4	Number: TE0808 06EG-1EE	Rev. 04
Date: 13.08.2017	Copyright: Trenz Electronic GmbH / TT	Page 26 of 28
Filename: POWER_3.SchDoc		



			Title: TE0808 - POWER_4	
			A4	Number: TE0808 06EG-1EE
Date: 13.08.2017		Copyright: Trenz Electronic GmbH / TT		Page 27 of 28
Filename: POWER_4.SchDoc				

1

2

3

4

CHANGES REV03 to REV04

- 1) added resistors R65,R82,R86,R87 (240R) for each DDR4-chip for supporting DDP DDR4 chips
- 2) full update lib

A

A

B


B

C

C

D

D

		Title: TE0808 - Changes list	
		A4	Number: TE0808 06EG-1EE
Date: 13.08.2017		Copyright: Trenz Electronic GmbH	
Filename: Revision_Changes.SchDoc		Page28 of 28	

1

2

3

4