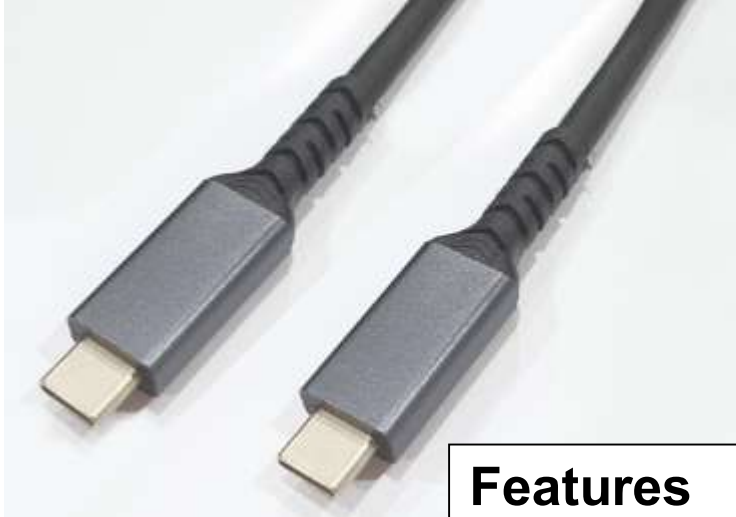


USB-C® to USB-C Cable 10Gbit/sec SuperSpeed



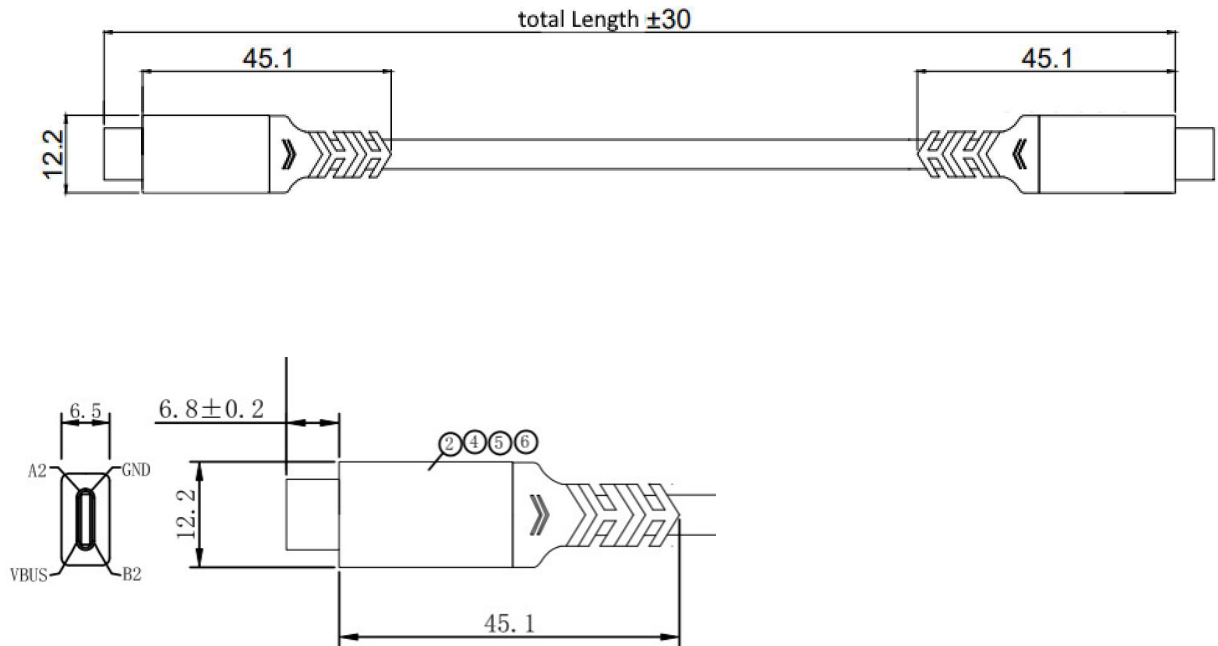
Features

- Compliant with USB 3.2Gen2 and USB3.2Gen1
Backward compatible with USB 3.1+ USB 2.0
- Data rate up to 10 Gbit/sec
- 5A/20V/100W charging
- Supports video display up to 4K / 60Hz
Through Displayport™ Alt mode

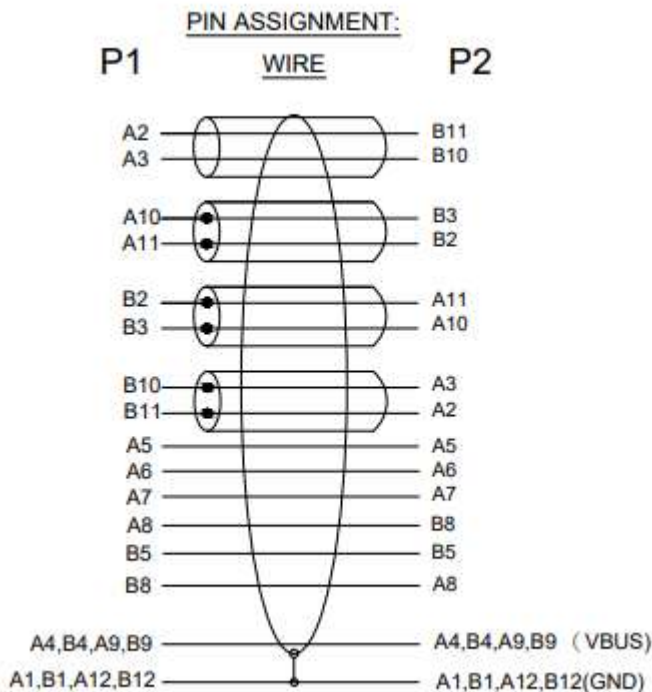
Applications

- Industrial PC
- Cameras + Vision Systems
- Docking stations
- Desktop, Tablets, and Mobile Phones
- Gaming consoles, Smart TVs
- Charging

Physical Drawing



Connection



Specification

Supported USB	USB2.0 + USB3.1 Gen1 + USB3.1 Gen2 + USB3.2 Gen1 + USB3.2 Gen2	
Supported DisplayPort™	DP Alt Mode 4K / 60Hz	
Maximum Data Transfer Rate	10Gb/sec	
Output Current and Voltage	5A/20V/100W	
Conductive Resistance	Max. 2Ω	
E-Mark	Yes, IC integrated in Connector	
Supported Cable Length	1m	
O.D.	4,6mm	
Cable Type	UL2725	
Cable Jacket	PVC	
Cable Color	Black	
Plugs	A: USB-C Male, Nickel Plated	B: USB-C Male , Nickel Plated
Housings	A: Al Shell Colour: grey	B: Al Shell Color: grey
Compliance	RoHS/ Reach/ CE/ FCC	
Certifications	UL Production	
Flameability	UL registered Material UL94-V0	
Standard Package	Bulk	
Production Standard	ISO14001 ISO9001 QC080000 IATF16949	

How to order

TCC02-xxxxx <-> xxxxx = total Length in mm

TCC02-xxxxx	xxxxx = Total Length in mm
TCC02-01000	Total Length = 1000 mm
TCC02-00500	Total Length = 500 mm

Please contact us for customization

Available Options

- Custom Length
- Custom Connector
- E-Mark
- Custom Label on Cable
- Custom Label on Packing
- Other raw cable
- Colour

DisplayPort™ and the DisplayPort™ logo are trademarks owned by the Video Electronics Standards Association (VESA®) in the United States and other countries.

USB Type-C® and USB-C® are registered trademarks of USB Implementers Forum.