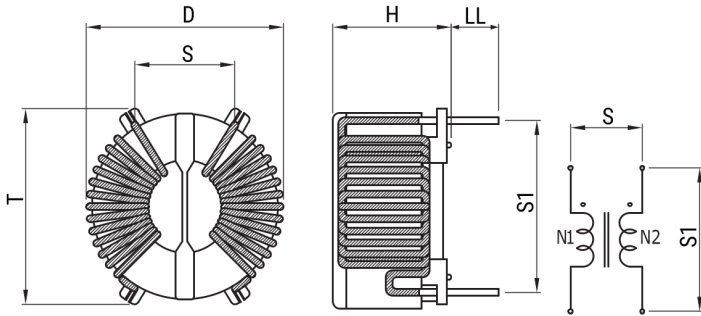


SC-04-E120JKH

Aliases (UALSCO4E120JKH)

KEMET, SC_JKH, AC Line Filters, Common Mode, 12 mH



Click [here](#) for the 3D model.

Dimensions

D	34mm MAX
T	34mm MAX
H	27mm MAX
LL	3.5mm +/-1mm
S	11mm NOM
S1	28mm NOM
Wire Size	0.95mm

Packaging Specifications

Packaging	Tray
Packaging Quantity	150
Component Weight	48.2 g

General Information

Series	SC_JKH
Style	Through-Hole
RoHS	Yes
Notes	Lead Spacing (S/S1) Are For Reference Only.
Miscellaneous	Temperature Rise Maximum: 40 K.
Core	Mn-Zn Ferrite

Specifications

Voltage AC	250 VAC
Inductance	12 mH
Current	4 A
Temperature Range	-25/+120°C
DC Resistance	75 mOhms