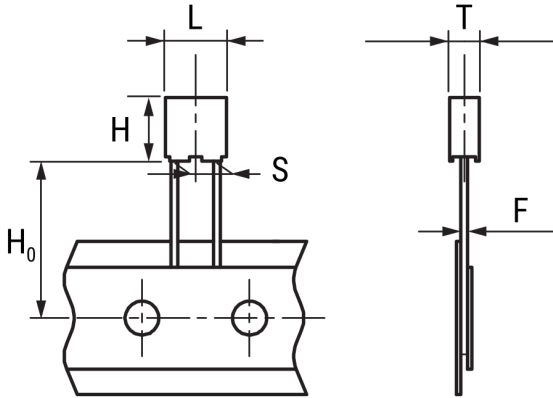


## MMK5225K50J04L16.5TR18

Aliases (F601JQ225K050L, MMK5225K50J04L16,5TR18)

Not for New Design • Recommended Replacement Series R60

MMK/F601, Film, Metallized Polyester, General Purpose, 2.2 uF, 10%, 50 VDC, 85°C, Lead Spacing = 5mm



Click [here](#) for the 3D model.

### Dimensions

L	7.2mm MAX
H	10mm MAX
T	5mm MAX
S	5mm +0.6/-0.1mm
H0	16mm NOM
F	0.5mm NOM

### Packaging Specifications

Packaging	T&R
Packaging Quantity	1300

### General Information

Series	MMK/F601
Dielectric	Metallized Polyester
Style	Radial
Features	DC Multipurpose Applications
RoHS	Yes
Lead	Wire Leads
AEC-Q200	No
Component Weight	0.45 g
Notes	Not for new design - the replacement series is: R60.

### Specifications

Capacitance	2.2 uF
Capacitance Tolerance	10%
Voltage AC	30 VAC
Voltage DC	50 VDC, 38.8 VDC (100C)
Temperature Range	-55/+100°C
Rated Temperature	85°C
Dissipation Factor	0.8% 1kHz, 1.5% 10kHz
Insulation Resistance	2.2727 GOhms
Max dV/dt	12 V/us
Inductance	6 nH