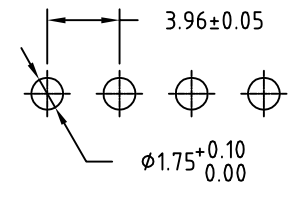
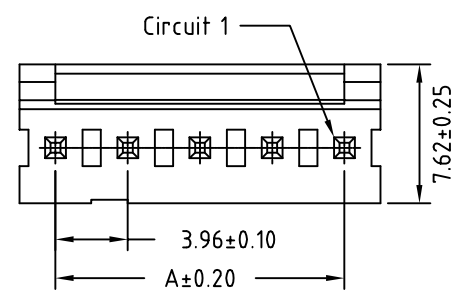
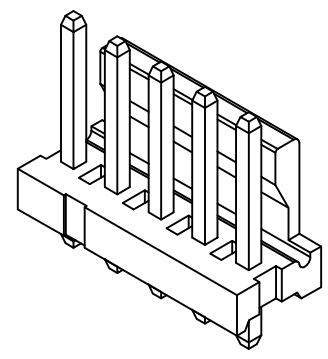


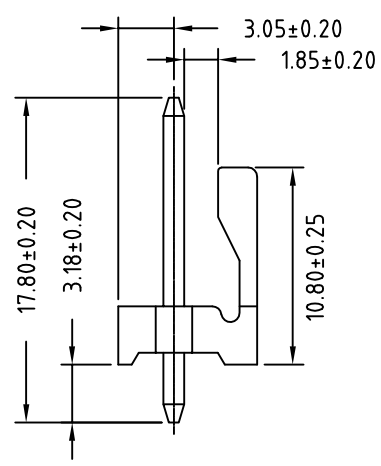
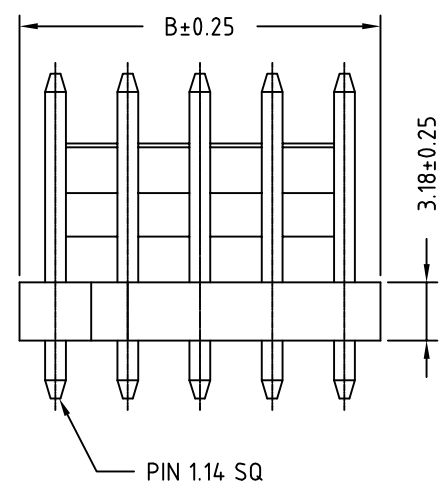
| | | | |
|------|------|--|----------|
| SIGN | DATE | DESCRIPTION | APPROVER |
| | | THIS IS CAD DRAWING, DO NOT REVISE MANUALLY!!! | |

SPECIFICATIONS
 Current Rating: 7A AC,DC
 Voltage Rating: 600V AC,DC
 Temperature Range: -25°C ~ +85°C
 Contact Resistance: 3mΩ Max
 Insulation Resistance: 5000MΩ Min
 Withstanding Voltage: 2200V AC/minute
 Pin Material: Brass/Tin-plated
 Material: Nylon 66,UL94V-0
 Color: Natural(White)

RoHS Compliant



P.C.B LAYOUT



| PART NO. | Dimensions | |
|-------------|------------|-------|
| | A | B |
| FL396B1V002 | 3.96 | 7.92 |
| FL396B1V003 | 7.92 | 11.88 |
| FL396B1V004 | 11.88 | 15.84 |
| FL396B1V005 | 15.84 | 19.80 |
| FL396B1V006 | 19.80 | 23.76 |
| FL396B1V007 | 23.76 | 27.72 |
| FL396B1V008 | 27.72 | 31.68 |
| FL396B1V009 | 31.68 | 35.64 |
| FL396B1V010 | 35.64 | 39.60 |
| FL396B1V011 | 39.60 | 43.56 |
| FL396B1V012 | 43.56 | 47.52 |
| FL396B1V013 | 47.52 | 51.48 |
| FL396B1V014 | 51.48 | 55.44 |
| FL396B1V015 | 55.44 | 59.40 |
| FL396B1V016 | 59.40 | 63.36 |
| FL396B1V017 | 63.36 | 67.32 |
| FL396B1V018 | 67.32 | 71.28 |
| FL396B1V019 | 71.28 | 75.24 |
| FL396B1V020 | 75.24 | 79.20 |

PART NUMBER:
FL396B1V0XX
 ↓
 Number of Circuits

THESE DRAWINGS AND SPECIFICATIONS ARE THE PROPERTY OF ON-SHORE TECHNOLOGY, INC. AND SHALL NOT BE REPRODUCED, COPIED OR USED IN ANY MANNER WITHOUT THE PRIOR WRITTEN CONSENT OF ON-SHORE TECHNOLOGY, INC.

OST ON-SHORE TECHNOLOGY, INC.

| | | | |
|--------------------|--|---------------------|----------------------|
| TITLE | FL396B1V0 Series - 3.96mm friction lock, with ramp, vertical | | |
| PART NO. | FL396B1V0XX | DWG NO. | FL396B1V0XX.DWG |
| APPROVED | CHECKED | DESIGNED | DRAWN |
| Suzy 2008.02.20 | Bill 2008.02.20 | Ralph 2008.02.20 | Marvin 2008.02.20 |
| | | | 9242 |
| | | | Tolerance |
| | | | UNIT: mm |
| | | | SCALE: NONE |
| | | | XX ±0.38/015 |
| | | | XXX ±0.25/010 |
| | | | XXX ±0.10/004 |
| | | | X* ±1* |
| SHEET: 01/01 | | | REV.: A |